

## SUMMARY

### # Wires

Low	4
High	0
Coax	0
Triax	0
Quad	0
Fiber	0
Fluidic	0

Series	3B
Termination type	Female crimp
IP rating	50
Cable Ø	6.30 - 7.70 mm
Matching parts	EGJ.3B.304.CYC
Status	active
Alternative part	



Image is for illustrative purpose only

### Download

[Request a quote](#)

[Catalog](#)

## TECHNICAL DETAILS

### Mechanics

Shell Style/Model	FG*: Straight plug, cable collet
Keying	2 keys (alpha=37.5, plug: female contacts, receptacle: male contacts)
Housing Material	Brass (chrome plated) shell and collet nut, nickel plated brass latch sleeve and mid pieces
Cable Fixing	D72: 6.3 - 7.7 mm
Variant	
Weight	51.32 g

### Performance

Configuration	3B.304 : 4 Low Voltage
Insulator	Y: PEEK for crimp contacts
Rated Current	19 Amps

### Specifications

Contact Type: Crimp
Max. Matings: 5000
Contact Retention: 65 N

LEMO products and services are provided "as is". LEMO makes no warranties or representations with regard to LEMO product & services or use of them, express, implied or statutory, including for accuracy, completeness, or security. The user is fully responsible for his products and applications using LEMO components.

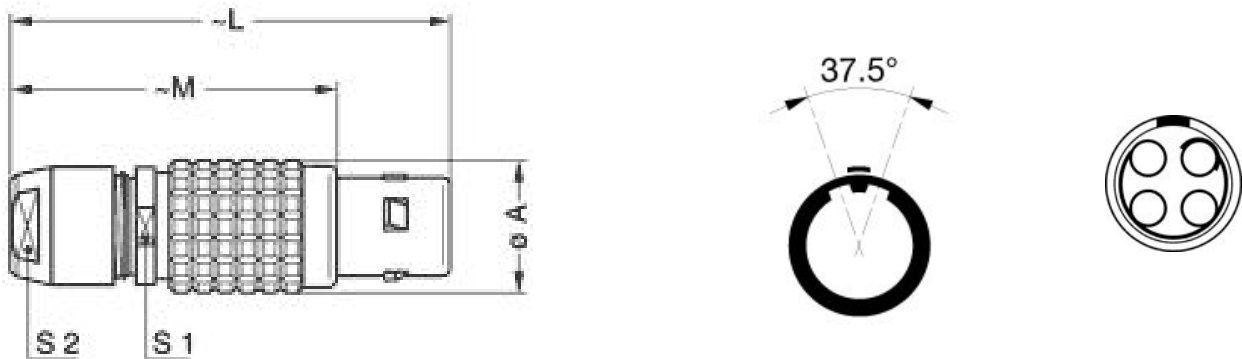
Contact Dia.: 2 mm (0.079in)  
 Bucket Dia.: 2.4 mm (0.094in)  
 Min. Conductor: 1.5 mm<sup>2</sup> (AWG 16)  
 Max. Conductor: 2.5 mm<sup>2</sup> (AWG 12)  
 R (max): 3.3 mOhm  
 Vtest (contact-shell): 2200 V (AC), 3110 V (DC)  
 Vtest (contact-contact): 2500 V (AC), 3540 V (DC)

## Others

Temp (min / max): -55° C / +250° C  
 Humidity (max): <=95% [at 60 deg C / 140 F]  
 Vibration: 15 g [10 Hz - 2000 Hz]  
 Shock Resistance: 100 g [ 6 ms]  
 Salt Spray Corrosion: >1000 hr  
 Climatical Category: 50/175/21  
 Shielding (min): 75 dB (10 MHz)  
 Shielding (min): 40 dB (1 GHz)  
 IP Rating: 50

## DRAWINGS

### Draws



### Dimensions

	A	L	M	S1	S2
mm.	18	58	43	15	14
in.	0,71	2,28	1,69	0,59	0,55

LEMO products and services are provided "as is". LEMO makes no warranties or representations with regard to LEMO product & services or use of them, express, implied or statutory, including for accuracy, completeness, or security. The user is fully responsible for his products and applications using LEMO components.

# RECOMMENDED BY LEMO

## Tools

Crimp Tool: DPC.91.101.A

Crimp settings: AWG/Selector = 12-14-16/8-7-6

Positionner: DCE.91.203.BVCM

Extractor: DCC.91.202.5LA

Replacement contact: EGG.3B.675.ZZM

Spanner wrench: DCD.3B.040.PA140

## Cables

240 750	PVC	Grey	
417 920	PVC	Grey	
CTR.75.030.121870G	PVC	Grey	

*LEMO products and services are provided "as is". LEMO makes no warranties or representations with regard to LEMO product & services or use of them, express, implied or statutory, including for accuracy, completeness, or security. The user is fully responsible for his products and applications using LEMO components.*