

SUMMARY

Wires

Low	3
High	0
Coax	0
Triax	0
Quad	0
Fiber	0
Fluidic	0

Series	2B
Termination type	Female crimp
IP rating	50
Cable Ø	9.30 - 9.90 mm
Matching parts	EGJ.2B.303.CYC
Status	active
Alternative part	



Image is for illustrative purpose only

Download

[Request a quote](#)

[Catalog](#)

TECHNICAL DETAILS

Mechanics

Shell Style/Model	FG*: Straight plug, cable collet
Keying	2 keys (alpha=37.5, plug: female contacts, receptacle: male contacts)
Housing Material	Brass (chrome plated) shell and collet nut, nickel plated brass latch sleeve and mid pieces
Cable Fixing	D99: 9.3 - 9.9 mm
Variant	
Weight	29.50 g

Performance

Configuration	2B.303 : 3 Low Voltage
Insulator	Y: PEEK for crimp contacts
Rated Current	17 Amps

Specifications

Contact Type: Crimp
Max. Matings: 5000
Contact Retention: 50 N

LEMO products and services are provided "as is". LEMO makes no warranties or representations with regard to LEMO product & services or use of them, express, implied or statutory, including for accuracy, completeness, or security. The user is fully responsible for his products and applications using LEMO components.

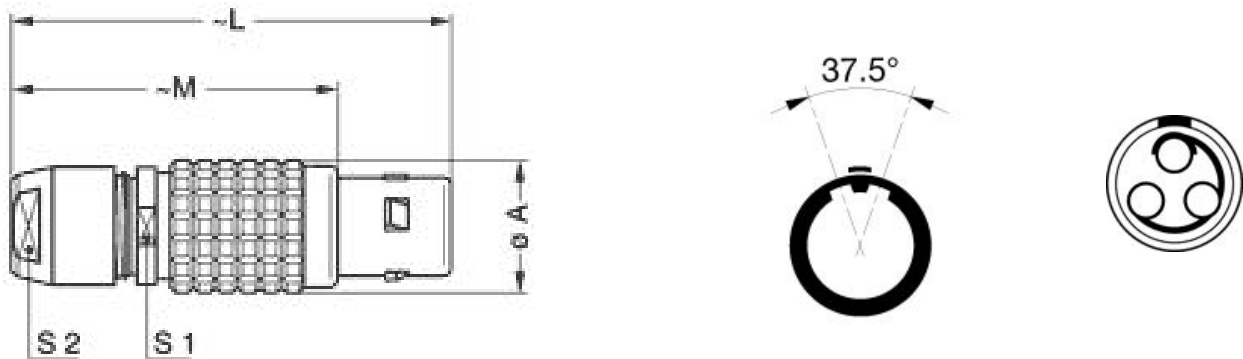
Contact Dia.: 1.6 mm (0.063in)
 Bucket Dia.: 1.9 mm (0.075in)
 Min. Conductor: 1 mm² (AWG 18)
 Max. Conductor: 1.5 mm² (AWG 14)
 R (max): 3.5 mOhm
 Vtest (contact-shell): 1900 V (AC), 2700 V (DC)
 Vtest (contact-contact): 1900 V (AC), 2700 V (DC)

Others

Temp (min / max): -55° C / +250° C
 Humidity (max): <=95% [at 60 deg C / 140 F]
 Vibration: 15 g [10 Hz - 2000 Hz]
 Shock Resistance: 100 g [6 ms]
 Salt Spray Corrosion: >1000 hr
 Climatological Category: 50/175/21
 Shielding (min): 75 dB (10 MHz)
 Shielding (min): 40 dB (1 GHz)
 IP Rating: 50

DRAWINGS

Draws



Dimensions

	A	L	M	S1	S2
mm.	15	50	38	13	12
in.	0,59	1,97	1,50	0,51	0,47

LEMO products and services are provided "as is". LEMO makes no warranties or representations with regard to LEMO product & services or use of them, express, implied or statutory, including for accuracy, completeness, or security. The user is fully responsible for his products and applications using LEMO components.

RECOMMENDED BY LEMO

Tools

Crimp Tool: DPC.91.101.A

Crimp settings: AWG/Selector = 14-16-18/7-6-5

Positionner: DCE.91.162.BVCM

Extractor: DCF.91.162.2LT

Replacement contact: EGG.2B.670.ZZM

Spanner wrench: MTZ.2B.220.120

Cables

LEMO products and services are provided "as is". LEMO makes no warranties or representations with regard to LEMO product & services or use of them, express, implied or statutory, including for accuracy, completeness, or security. The user is fully responsible for his products and applications using LEMO components.