

SUMMARY

Wires

Low	22
High	0
Coax	1
Triax	0
Quad	0
Fiber	0
Fluidic	0

Series	3B
Termination type	Male solder Mixed coaxial /
IP rating	50
Cable Ø	10.80 - 11.90 mm
Matching parts	EGG.3B.822.CLL2
Status	active
Alternative part	



Image is for illustrative purpose only

Download

[Request a quote](#)

[Catalog](#)

[See video assembly instructions](#)

TECHNICAL DETAILS

Mechanics

Shell Style/Model	FG*: Straight plug, cable collet
Keying	1 key (alpha=0, plug: male contacts, receptacle: female contacts)
Housing Material	Brass (chrome plated) shell and collet nut, nickel plated brass latch sleeve and mid pieces
Cable Fixing	D12: 10.8 - 11.9 mm
Variant	
Weight	47.58 g

Performance

Configuration	3B.822 : 1 Coax (50 Ohm), 22 Low V.
Insulator	L: PEEK (UL 94 / V-0/3.2, depends on material thickness)
Rated Current	5 Amps

Specifications

Contact Type:	Coaxial 50 Ohm (Crimp) Type C
Max. Matings:	5000
Contact Dia.:	0.7 mm (0.03in)

LEMO products and services are provided "as is". LEMO makes no warranties or representations with regard to LEMO product & services or use of them, express, implied or statutory, including for accuracy, completeness, or security. The user is fully responsible for his products and applications using LEMO components.

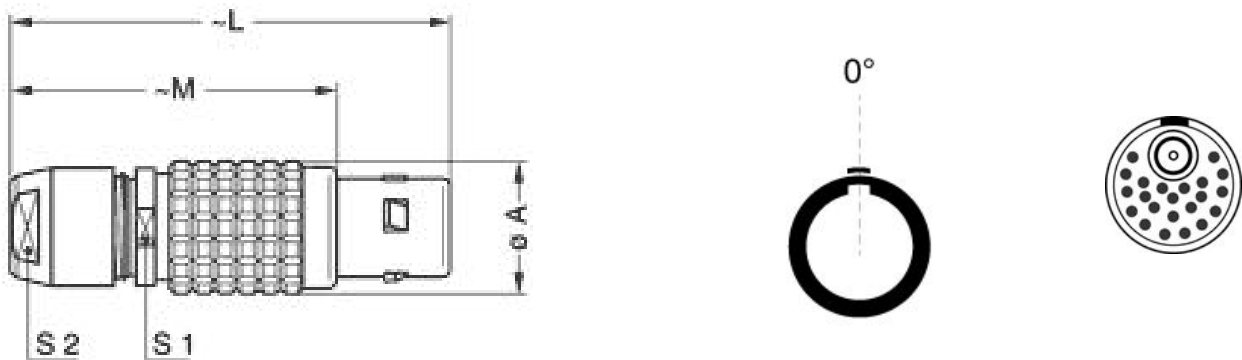
R (max): 5.8 mOhm
 Test voltage (kV rms): 0.7
 Test voltage (kV dc): 1
 Cable type: RG 179 B/U, RG 187 A/U

Others

Temp (min / max): -55° C / +250° C
 Humidity (max): <=95% [at 60 deg C / 140 F]
 Vibration: 15 g [10 Hz - 2000 Hz]
 Shock Resistance: 100 g [6 ms]
 Salt Spray Corrosion: >1000 hr
 Climatical Category: 50/175/21
 Shielding (min): 75 dB (10 MHz)
 Shielding (min): 40 dB (1 GHz)
 IP Rating: 50

DRAWINGS

Draws



Dimensions

	A	L	M	S1	S2
mm.	18	58	43	15	14
in.	0,71	2,28	1,69	0,59	0,55

RECOMMENDED BY LEMO

LEMO products and services are provided "as is". LEMO makes no warranties or representations with regard to LEMO product & services or use of them, express, implied or statutory, including for accuracy, completeness, or security. The user is fully responsible for his products and applications using LEMO components.

Tools

Extractor: DCC.91.384.5LA

Coax Tool: -

Die Tool: DPE.99.103.8K

Spanner wrench: DCD.3B.040.PA140

Caps: BFG.3B.100.PCSG

Cables

LEMO products and services are provided "as is". LEMO makes no warranties or representations with regard to LEMO product & services or use of them, express, implied or statutory, including for accuracy, completeness, or security. The user is fully responsible for his products and applications using LEMO components.