

## SUMMARY

### # Wires

Low	0
High	0
Coax	1
Triax	0
Quad	0
Fiber	0
Fluidic	0

Series	1E
Termination type	Male solder
IP rating	68
Cable Ø	5.10 - 5.50 mm
Matching parts	ERA.1E.250.CLL
Status	active
Alternative part	



*Image is for illustrative purpose only*

### Download

[Request a quote](#)

[Catalog](#)

## TECHNICAL DETAILS

### Mechanics

Shell Style/Model	FFA*: Straight plug, cable collet and nut for fitting a bend relief
Keying	Circular (can rotate), plug has male contact(s)
Housing Material	Brass (chrome plated) shell and collet nut, nickel plated brass latch sleeve and mid pieces
Cable Fixing	C55: 5.1 - 5.5 mm
Variant	Z : Nut for fitting a bend relief
Weight	23.73 g

### Performance

Configuration	1E.250 : 1 Coax (50 Ohm)
Insulator	T: PTFE
Rated Current	12 Amps

### Specifications

Contact Type: Coaxial 50 Ohm (Solder)  
Max. Matings: 1000

*LEMO products and services are provided "as is". LEMO makes no warranties or representations with regard to LEMO product & services or use of them, express, implied or statutory, including for accuracy, completeness, or security. The user is fully responsible for his products and applications using LEMO components.*

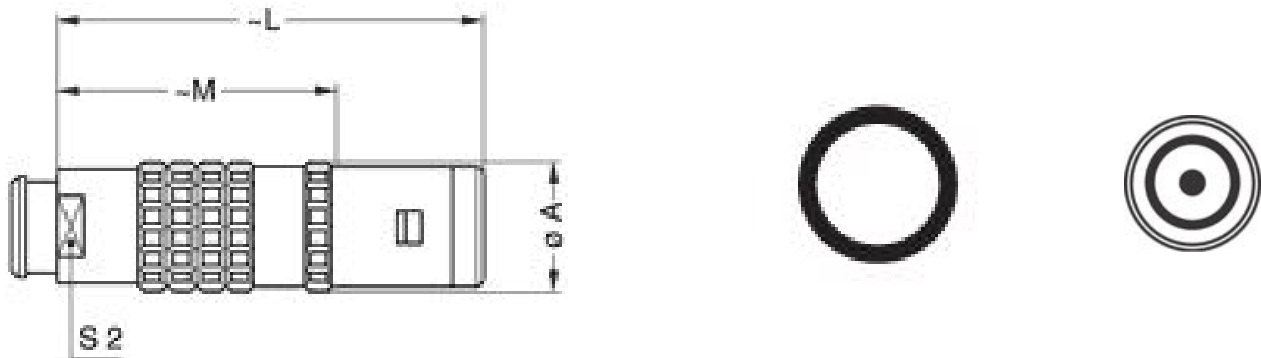
Contact Dia.: 0.9 mm (0.035in)  
 Bucket Dia.: 1 mm (0.039in)  
 Vtest: 3000 V (AC), 4200 V (DC)  
 Impedance: 50 Ohm  
 VSWR: 1.01 + 0.23 \* f/GHz  
 Cable type: RG 178 B/U, RG 196 A/U, RG 188 A/U, RG 316 B/U, RG 174 A/U, HF-2114, RG 122 /U

## Others

Endurance (Shell): 5000 mating cycles  
 Temp (min / max): -55°C / +200°C  
 Humidity (max): <=95% [at 60 deg C /140 F]  
 Vibration: 15 g [10 Hz - 2000 Hz]  
 Shock Resistance: 100 g [ 6 ms]  
 Salt Spray Corrosion: >1000 hr  
 Climatical Category: 50/175/21  
 Shielding (min): 95 dB (10 MHz)  
 Shielding (min): 80 dB (1 GHz)  
 IP Rating: 68

## DRAWINGS

### Draws



### Dimensions

	A	L	M	S2
mm.	13	42	28	9
in.	0,51	1,65	1,10	0,35

LEMO products and services are provided "as is". LEMO makes no warranties or representations with regard to LEMO product & services or use of them, express, implied or statutory, including for accuracy, completeness, or security. The user is fully responsible for his products and applications using LEMO components.

# RECOMMENDED BY LEMO

## Tools

Spanner wrench: DCD.1E.008.PA090

Caps: BFA.1E.100.NAS

## Cables

CCX.50.080.297538N	PVC	Black	
--------------------	-----	-------	--

*LEMO products and services are provided "as is". LEMO makes no warranties or representations with regard to LEMO product & services or use of them, express, implied or statutory, including for accuracy, completeness, or security. The user is fully responsible for his products and applications using LEMO components.*