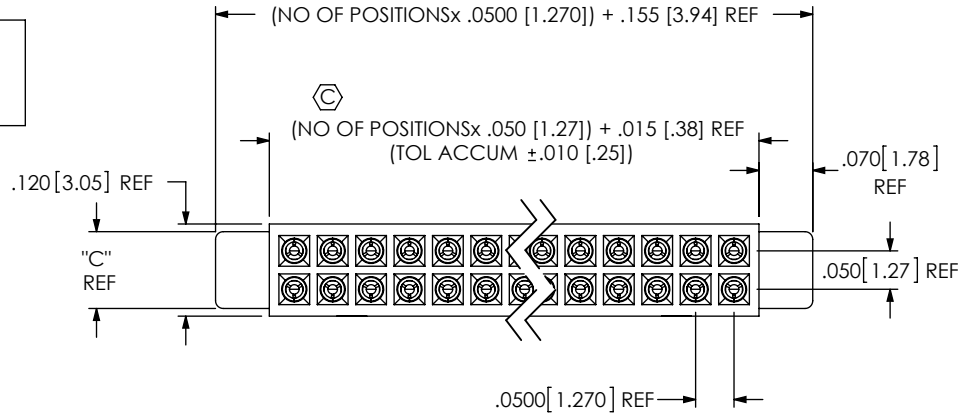


DO NOT SCALE FROM THIS PRINT

EMF-1XX-XX-XX-D



No OF POSITIONS
-05 THRU -50
(PER ROW)

LEAD STYLE
-01 EDGE MOUNT (.031")
*-02: EDGE MOUNT (.062)

BODY SPECIFICATION
-D: DOUBLE
(USE SFM-XX-D-EM-XX)

PLATING SPECIFICATION

- F: 3μ" SELECTIVE GOLD IN CONTACT AREA, MATTE TIN ON TAIL.
- L: 10μ" SELECTIVE GOLD IN CONTACT AREA, MATTE TIN ON TAIL.
- S: 30μ" SELECTIVE GOLD IN CONTACT AREA, MATTE TIN ON TAIL.
- T: MATTE TIN ON CONTACT AND TAIL.
- FM: 3μ" SELECTIVE GOLD IN CONTACT AREA, MATTE TIN ON TAIL.
- LM: 10μ" SELECTIVE GOLD IN CONTACT AREA, MATTE TIN ON TAIL.
- SM: 30μ" SELECTIVE GOLD IN CONTACT AREA, MATTE TIN ON TAIL.

* =NOT RELEASED FOR PRODUCTION

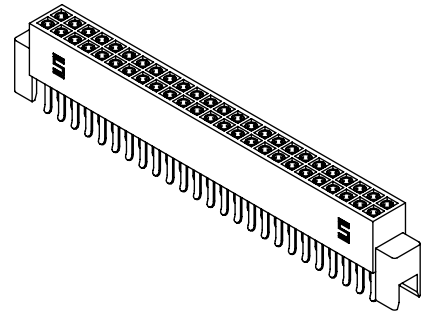
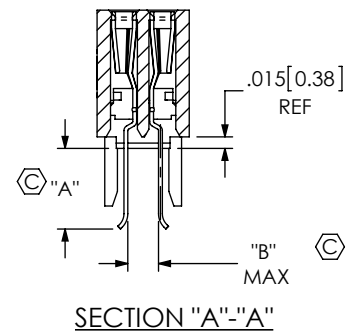
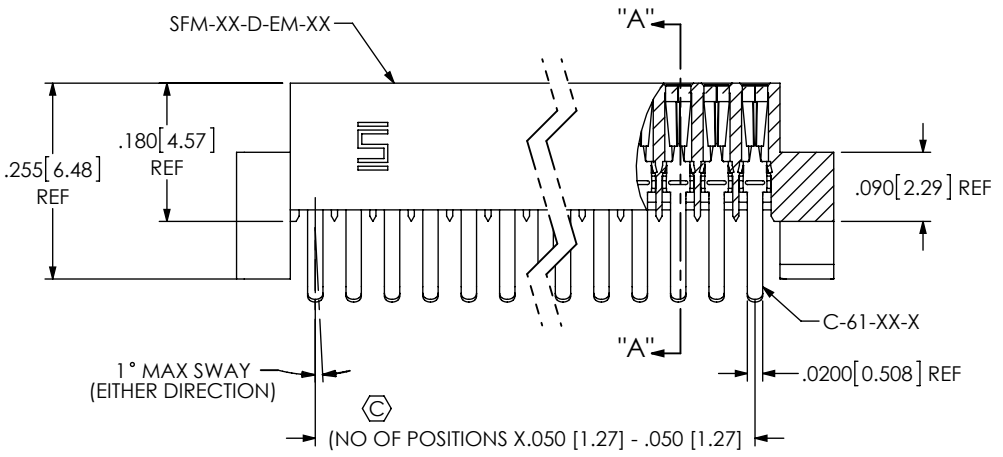
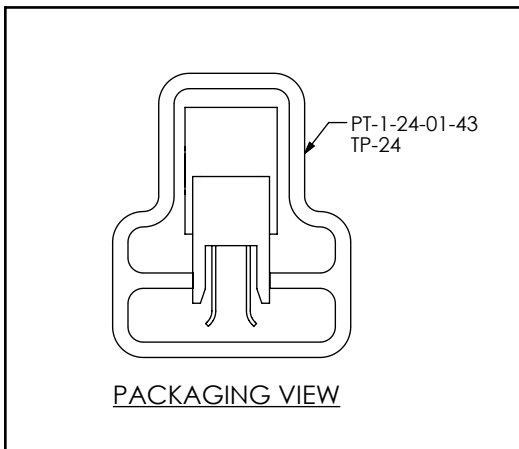


TABLE 4

LEAD STYLE	BODY	CONTACT	"A"	"B"	"C"
-01	SFM-XX-D-EM-01	C-61-06-X	.126 [3.20]	.031 [0.79]	.082 [2.08]
*-02	SFM-XX-D-EM-02	C-61-08-X	.105 [2.67]	.062 [1.57]	.100 [2.54]

* = NOT RELEASED FOR PRODUCTION



- NOTES:
1. Ⓢ REPRESENTS A CRITICAL DIMENSION.
 2. MINIMUM PUSHOUT FORCE: .5 LB
 3. ALL POSITIONS TO BE PACKAGED IN TUBES.

UNLESS OTHERWISE SPECIFIED, DIMENSIONS ARE IN INCHES.

TOLERANCES ARE:

DECIMALS	ANGLES
.XX: ±.01 [0.3]	2°
.XXX: ±.005 [0.13]	
.XXXX: ±.0020 [0.051]	

PROPRIETARY NOTE
THIS DOCUMENT CONTAINS CONFIDENTIAL AND PROPRIETARY INFORMATION AND ALL DESIGN, MANUFACTURING, REPRODUCTION, USE, PATENT RIGHTS AND SALES RIGHTS ARE EXPRESSLY RESERVED BY SAMTEC, INC. THIS DOCUMENT SHALL NOT BE DISCLOSED, IN WHOLE OR PART, TO ANY UNAUTHORIZED PERSON OR ENTITY NOR REPRODUCED, TRANSFERRED OR INCORPORATED IN ANY OTHER PROJECT IN ANY MANNER WITHOUT THE EXPRESS WRITTEN CONSENT OF SAMTEC, INC.

DO NOT SCALE DRAWING SHEET SCALE: 4:1

INSULATOR: LCP, UL 94 VO, COLOR BLACK

TERMINAL: BeCu, 1/2 HARD, AGE HARDENED

DESCRIPTION:
.050 X .050 EDGE MOUNT SOCKET STRIP DUAL ROW ASSEMBLY

DWG. NO. **EMF-1XX-XX-XX-D**

BY: PURVIS 7-26-96 SHEET 1 OF 1

520 PARK EAST BLVD, NEW ALBANY, IN 47150
PHONE: 812-944-6733 FAX: 812-948-5047
e-Mail info@SAMTEC.com code 53322

C:\EnterpriseVault\DWG\MISC\MKTG\EMF-1XX-XX-XX-D-MKT.SLDDRW