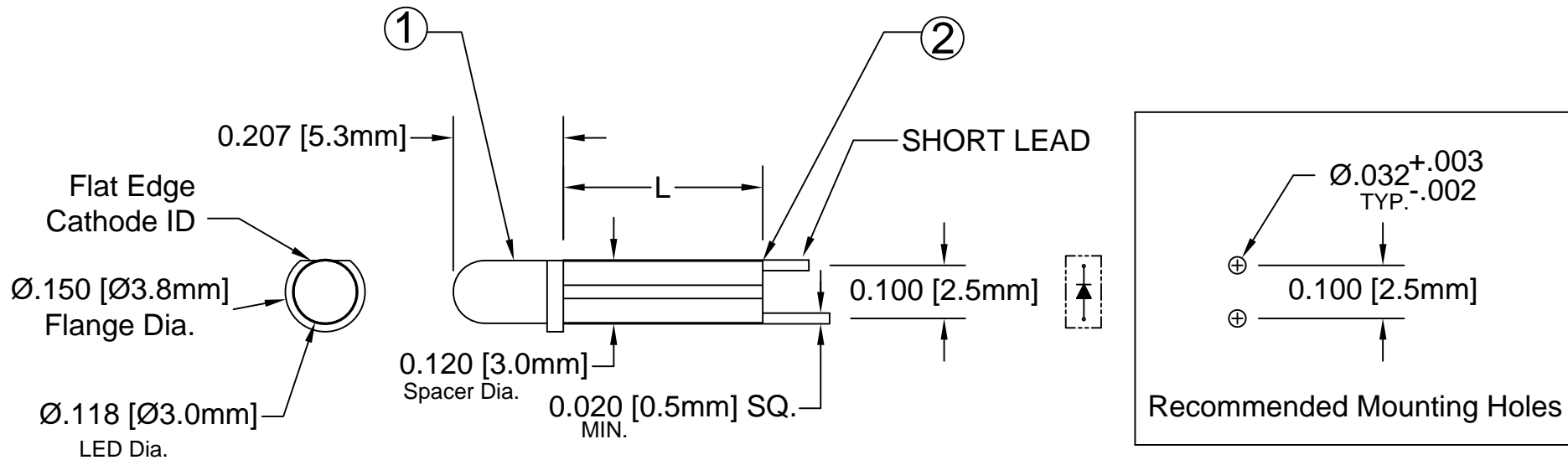


| ITEM | Q'TY | PART NUMBER | PART DESCRIPTION |
|------|------|-------------|-------------------------------------|
| 1 | 1 | 3XX-F | T-1 (3mm) Flanged LED, See Page 2 |
| 2 | 1 | ELM 7-XXX | Extruded, Self-Retaining LED Spacer |

| REV. | DESCRIPTION | DATE | APPROVED |
|------|--------------------------------|----------|----------|
| B | Changed "L" Dimension | 04/05/06 | M. C. |
| C | Update LED, EMN-ELMXXX3XX | 08/22/06 | M. C. |
| D | Removed Tolerance Note. | 09/03/08 | M. C. |
| E | Added Tape & Reel Options. | 06/07/11 | T. Y. |
| F | Tape & Reel Design Update. | 11/21/11 | T. Y. |
| G | Corrected P/N Typo in BOM. | 09/24/13 | T. Y. |
| H | Engineering Update w/o Changes | 05/25/16 | J. C. |




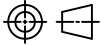
ABSOLUTE MAXIMUM RATINGS (Ta=25° C)

| | |
|--|----------------------|
| REVERSE VOLTAGE _____ | 5V |
| REVERSE CURRENT _____ | 100µA |
| OPERATING TEMPERATURE RANGE _____ | -40° C - 85° C |
| STORAGE TEMPERATURE _____ | -40° C - 100° C |
| LEAD SOLDERING TEMPERATURE (1/16" FROM BODY) _____ | 260° C FOR 5 SECONDS |

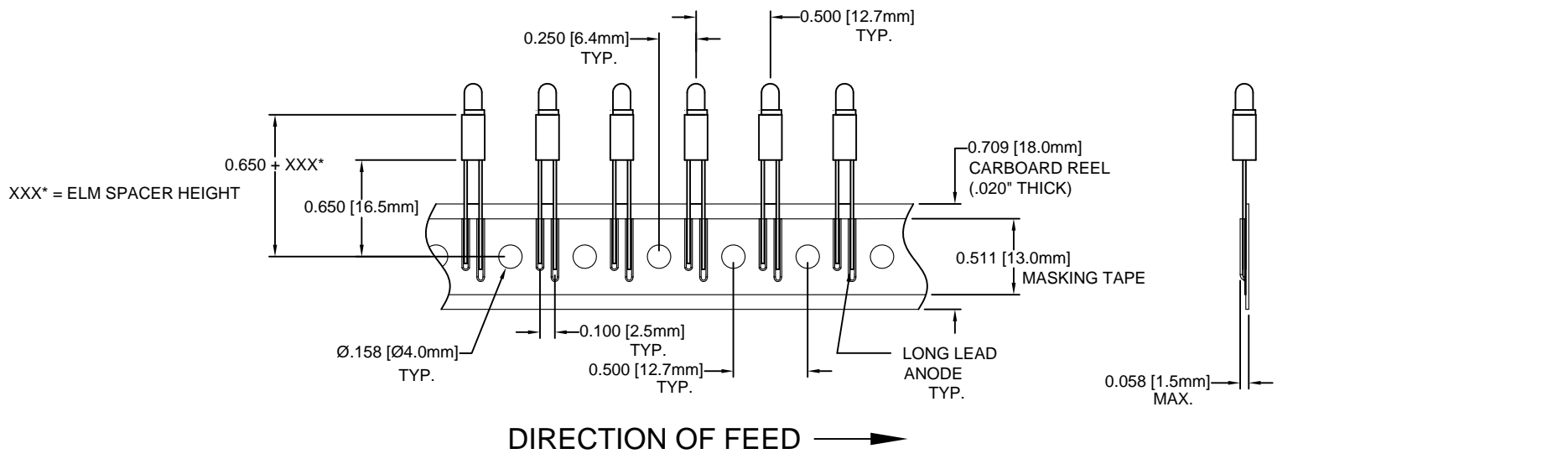
| STANDARD TOLERANCE (UNLESS OTHERWISE SPECIFIED) | | BIVAR® | | | |
|--|---------|---|--|--|---|
| DECIMALS | ANGULAR | 4 THOMAS, IRVINE, CA. 92618 TEL: (949) 951-8808 FAX: (949) 951-3974 | | | |
| .X ± .1 | X° ± 1° | TITLE: EXTRUDED VERTICAL T-1 (3mm) LED STANDARD PROFILE SPACER ASSY | | | |
| .XX ± .02 | | | | | |
| .XXX ± .010 | | DESIGNED: D. Green CHECKED: T. Yin | DATE: 12/23/04 DATE: 12/23/04 | PART NO: ELM7XXX3XX CAGE CODE : 32559 | REVISION: H SHEET # 1 OF 3 |
| CAD GENERATED DOCUMENT. DO NOT MEASURE DRAWING. | | | | | |

| | | | |
|------|---------------|------|----------|
| REV. | DESCRIPTION | DATE | APPROVED |
| | SEE SHEET #1. | | |
| | | | |

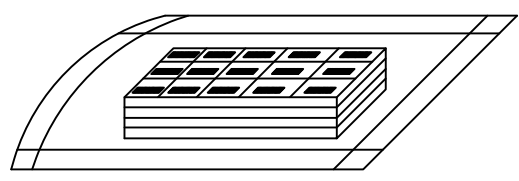
| LED Assy. No. | Peak Wave Length λ_p (nm) | Emitted Color | Lens Appearance | Electro-Optical Data | | | | Viewing Angle $2\theta_{1/2}$ (Deg) | LED P/N |
|--------------------|--------------------------------------|---------------|-----------------|----------------------|-----------|-----|-------------|---|---------|
| | | | | If (mA) | Vf (V) | | Iv (mcd) | | |
| | | | | TYP | TYP | MAX | TYP | | |
| STANDARD | | | | Data @ 20mA | | | | | |
| ELM7XXX3BWD | 430 | BLUE | DIFFUSED | 20 | 4.0 | 4.5 | 20.0 | 45 | 3BWD-F |
| ELM7XXX3GD | 565 | GREEN | DIFFUSED | 20 | 2.2 | 2.6 | 30.0 | 45 | 3GD-F |
| ELM7XXX3YD | 585 | YELLOW | DIFFUSED | 20 | 2.1 | 2.6 | 20.0 | 45 | 3YD-F |
| ELM7XXX3HD | 635 | HE RED | DIFFUSED | 20 | 2.0 | 2.6 | 30.0 | 45 | 3HD-F |
| ELM7XXX3RD | 655 | RED | DIFFUSED | 20 | 1.7 | 2.0 | 6.0 | 45 | 3RD-F |
| ELM7XXX3SRD | 660 | SUPER RED | DIFFUSED | 20 | 1.7 | 2.6 | 90.0 | 45 | 3SRD-F |
| LOW CURRENT | | | | Data @ 2mA | | | | | |
| ELM7XXX3GDL | 565 | GREEN | DIFFUSED | 5 | 1.9 | 2.2 | 6.0 | 45 | 3GDL-F |
| ELM7XXX3YDL | 585 | YELLOW | DIFFUSED | 5 | 1.9 | 2.2 | 4.0 | 45 | 3YDL-F |
| ELM7XXX3HDL | 635 | HE RED | DIFFUSED | 5 | 1.8 | 2.2 | 6.0 | 45 | 3HDL-F |
| 5 VOLT | | | | Data @ 5V | | | | | |
| ELM7XXX3GD5V | 565 | GREEN | DIFFUSED | 8 | - | 5.0 | 30.0 | 45 | 3GD5V-F |
| ELM7XXX3YD5V | 585 | YELLOW | DIFFUSED | 8 | - | 5.0 | 20.0 | 45 | 3YD5V-F |
| ELM7XXX3HD5V | 635 | HE RED | DIFFUSED | 8 | - | 5.0 | 30.0 | 45 | 3HD5V-F |

| | | | |
|--|--------------------------|---|-----------------------|
| STANDARD TOLERANCE (UNLESS OTHERWISE SPECIFIED) $\pm 10\%$ ALL VALUES ANGULAR | |  BIVAR [®] 4 THOMAS, IRVINE, CA. 92618 TEL: (949) 951-8808 FAX: (949) 951-3974 | |
|  | | | |
| DESIGNED: D. Green | DATE: 12/23/04 | TITLE: EXTRUDED VERTICAL T-1 (3mm) LED STANDARD PROFILE SPACER ASSY | |
| CHECKED: T. Yin | DATE: 12/23/04 | PART NO: ELM7XXX3XX | REVISION: H |
| | | CAGE CODE : 32559 | SHEET # 2 OF 3 |
| CAD GENERATED DOCUMENT. DO NOT MEASURE DRAWING. | | | |

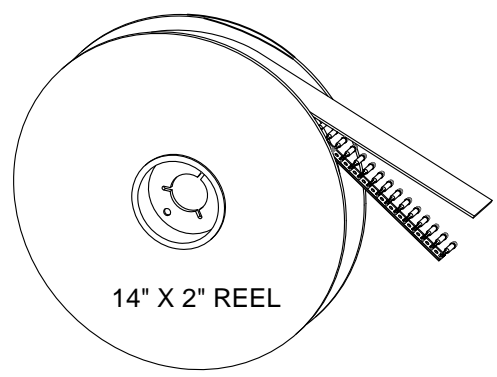
| REV. | DESCRIPTION | DATE | APPROVED |
|------|--------------|------|----------|
| | SEE SHEET #1 | | |
| | | | |
| | | | |
| | | | |
| | | | |



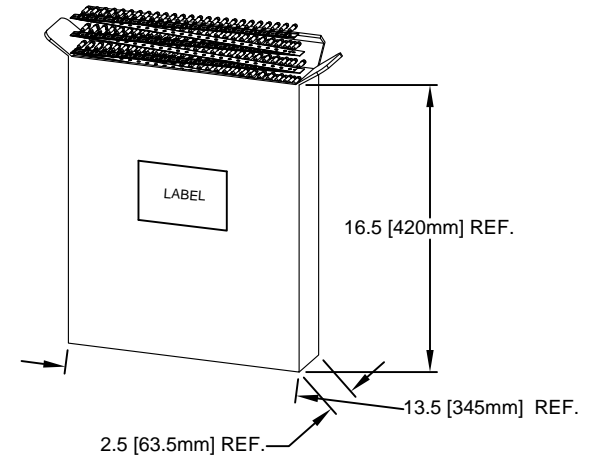
DIRECTION OF FEED →



STANDARD PACKAGING TRAY




TAPE & REEL
1,000 pcs / reel



AMMO PACK
2,000 pcs / box

- NOTE:
1. STANDARD PART NUMBERS ARE PACKAGED IN LOOSE PIECES USING PACKAGING TRAYS
 2. ADD "T" SUFFIX TO PART NUMBER FOR TAPE AND REEL PACKAGING OPTION (1,000 PCS/REEL)
 3. ADD "A" SUFFIX TO PART NUMBER FOR AMMO PACK OPTION (2,000 PCS/BOX)
 4. TAPE AND REEL PACKAGING COMPLY TO EIA-468-C

| | | | |
|--|--------------------------|---|-----------------------|
| STANDARD TOLERANCE (UNLESS OTHERWISE SPECIFIED) | | BIVAR [®] 4 THOMAS, IRVINE, CA. 92618 TEL: (949) 951-8808 FAX: (949) 951-3974 | |
| DECIMALS | ANGULAR | | |
| .X ± .1 | X° ± 1° |  TITLE: EXTRUDED VERTICAL T-1 (3mm) LED STANDARD PROFILE SPACER ASSY | |
| .XX ± .02 | | | |
| .XXX ± .010 | | | |
| DESIGNED: D. Green | DATE: 12/23/04 | PART NO: ELM7XXX3XX | REVISION: H |
| CHECKED: T. Yin | DATE: 12/23/04 | CAGE CODE : 32559 | SHEET # 3 OF 3 |
| CAD GENERATED DOCUMENT. DO NOT MEASURE DRAWING. | | | |