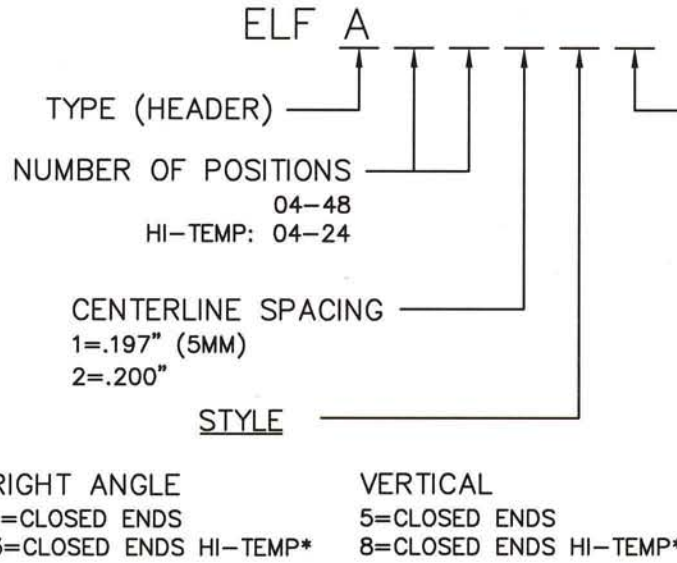


# ELFA SERIES PART NUMBERING SCHEME

REV	ECN	APPD
-	3853	JEC 10/26/99
A	3865	JEC 11/9/99
B	4438	IQ 5/22/01
C	4805	IQ 3/22/02
D	5067	IQ 12/28/02
E	5742	12/28/05



### OPTIONS

#### COLOR/PLATING

0=BLACK, TIN (STANDARD)  
1=BLACK, SELECTIVE GOLD

#### MOUNTING EARS

0E= FLUSH MOUNT BLACK, TIN  
1E= FLUSH MOUNT BLACK, SEL. GOLD  
GE= FLUSH MOUNT GREEN, TIN  
EG= FLUSH MOUNT GREEN, SEL. GOLD  
EE= FLUSH MOUNT, STANDARD PLATING

CONSULT PCD FOR PART NO. AND AVAILABILITY OF FOLLOWING OPTIONS:

- CUSTOM COLORS
- CUSTOM MARKING
- CUSTOM KEYING
- SELECTIVE CONTACT LOADING

#### MATERIALS:

HOUSING: NYLON, UL 94 V-0  
\*NYLON 30% GF, UL 94 V-0  
CONTACT: BRASS, TIN PLATED  
MAX OPERATING TEMPERATURE:  
125°C



#### RATINGS

CURRENT - 15A  
VOLTAGE - 300V  
U.L. FILE NO. E83421



#### RATINGS

CURRENT - 15A  
VOLTAGE - 300V  
CSA FILE NO. LR69703

DIN VDE 0627:1986  
DIN VDE 0110-1:1989  
EN 60947-1:1991  
EN 60947-7-1:1992

CURRENT - 15A  
VOLTAGE - 300 V  
TUV FILE NO. 20396

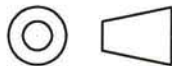
#### DIMENSIONS

ANSI Y14.5M  
UNITS: INCHES  
ACAD FILE

#### TOLERANCES

.XX ±.01  
.XXX ±.005  
ANGLES ±2

#### PROJECTION



## Amphenol Pcd

### SPECIFICATION DRAWING

ENGR

J. WILKINSON 10/25/99

CHKD

A. PATRIE 10/26/99

APPD

J. CAHALY 10/26/99

#### TITLE

ELFA SERIES 2- TIER  
HEADER ASSY

ORIGINAL  
STAMPED  
IN RED

*THIS DOCUMENT CONTAINS  
PROPRIETARY INFORMATION WHICH  
IS THE CONFIDENTIAL PROPERTY  
OF AMPHENOL PCD INC. PEABODY, MA*

SIZE DWG NO.

A

ELFA04110

REV

E

CODE: 58982

SCALE: NONE

SHEET 1 OF 2

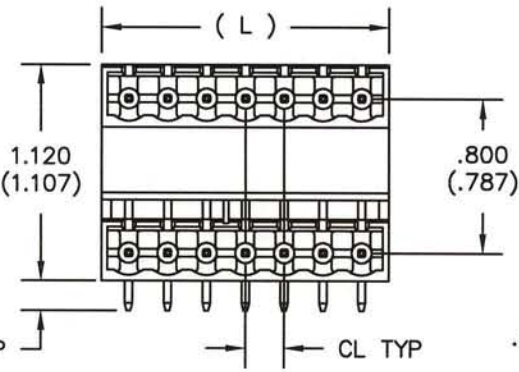
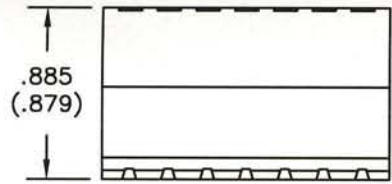
W/OUT EARS

# HORIZONTAL

W/ EARS

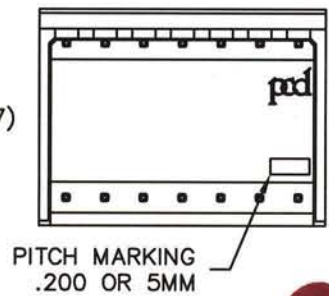
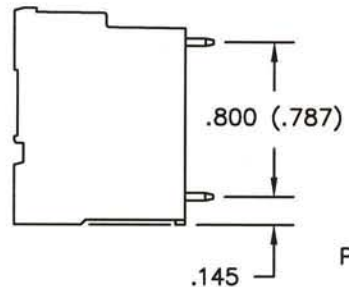
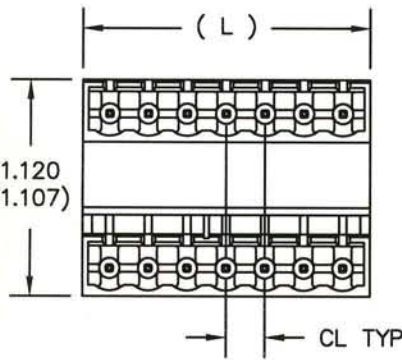
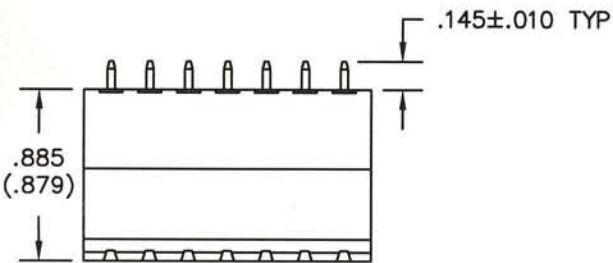
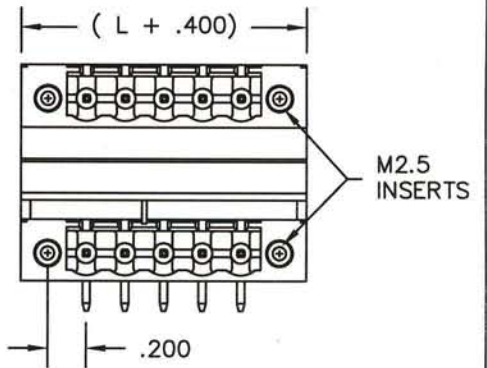
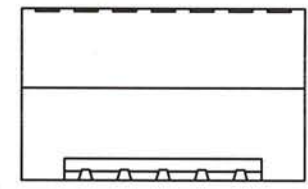
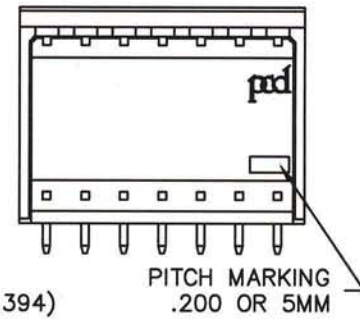
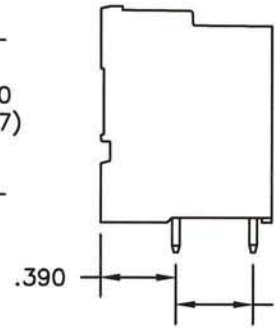
NOTE:

1. .197 [5mm] PITCH DIMENSIONS INDICATED IN PARENTHESES.



.155±.010 TYP

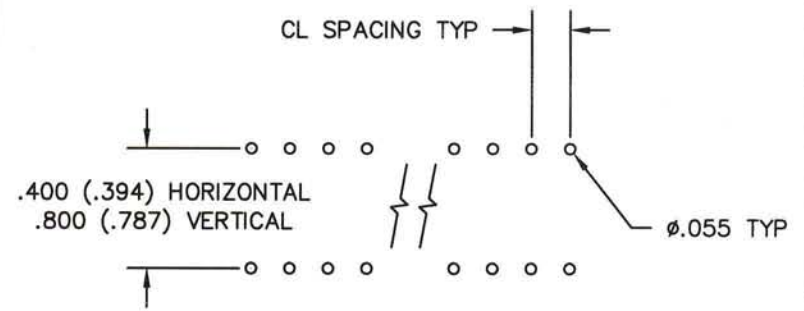
CL TYP



# VERTICAL

$$L = 1/2(\text{NUM OF POS} \times \text{CL SPACING}) + .080$$

PRINTED CIRCUIT BOARD CONFIGURATION



RECOMMENDED PCB THICKNESS: .062±.008

SIZE	DWG NO.	REV
A	ELFA04110	E
CODE: 58982	SCALE: NONE	SHEET 2 OF 2