

## SUMMARY

### # Wires

Low	10
High	0
Coax	0
Triax	0
Quad	0
Fiber	0
Fluidic	0



Image is for illustrative purpose only

### Download

[Request a quote](#)

[Catalog](#)

Series	3P
Termination type	Female solder
IP rating	61
Cable Ø	0.00 - 0.00 mm
Matching parts	FGG.3P.310.PLWD75G
Status	active
Alternative part	EGG.3P.310.PLWG

## TECHNICAL DETAILS

### Mechanics

Shell Style/Model	EG*: Fixed receptacle, nut fixing with key
Keying	User configurable, 1 of 11 key positions. Plug: male contacts; Receptacle: female contacts
Housing Material	PSU (Polysulfone), gray
Cable Fixing	∅ 0 - 0 mm
Variant	
Weight	11.90 g

### Performance

Configuration	3P.310 : 10 Low Voltage plus 1 Ground
Insulator	
Rated Current	5 Amps

### Specifications

Contact Type: Special

LEMO products and services are provided "as is". LEMO makes no warranties or representations with regard to LEMO product & services or use of them, express, implied or statutory, including for accuracy, completeness, or security. The user is fully responsible for his products and applications using LEMO components.

## Others

F ret (min): 100 N

F ret (max): 200 N

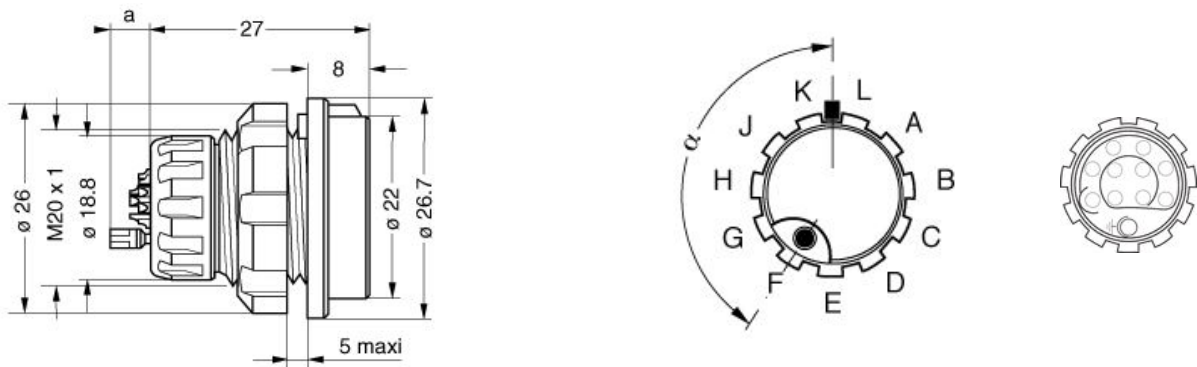
Steam sterilization: 20 times

IP Rating: 61

---

## DRAWINGS

### Draws



### Dimensions

	A	L
mm.	26.7	31.7
in.	1,05	1,25

---

## RECOMMENDED BY LEMO

### Tools

None

### Cables

CMN.10.T22.068QGC			
-------------------	--	--	--

LEMO products and services are provided "as is". LEMO makes no warranties or representations with regard to LEMO product & services or use of them, express, implied or statutory, including for accuracy, completeness, or security. The user is fully responsible for his products and applications using LEMO components.