

dsPIC33EPXXGS202 Family Silicon Errata and Data Sheet Clarification

The dsPIC33EPXXGS202 family devices that you have received conform functionally to the current Device Data Sheet (DS70005208C), except for the anomalies described in this document.

The silicon issues discussed in the following pages are for silicon revisions with the Device and Revision IDs listed in [Table 1](#). The silicon issues are summarized in [Table 2](#).


The errata described in this document will be addressed in future revisions of dsPIC33EPXXGS202 family silicon.

Note: This document summarizes all silicon errata issues from all revisions of silicon, previous as well as current. Only the issues indicated in the last column of [Table 2](#) apply to the current silicon revision (**A3**).

Data Sheet clarifications and corrections start on [Page 15](#), following the discussion of silicon issues.

The silicon revision level can be identified using the current version of MPLAB® IDE and Microchip's programmers, debuggers and emulation tools, which are available at the Microchip corporate web site (www.microchip.com).

For example, to identify the silicon revision level using MPLAB IDE in conjunction with a hardware debugger:

1. Using the appropriate interface, connect the device to the hardware debugger.
2. Open an MPLAB IDE project.
3. Configure the MPLAB IDE project for the appropriate device and hardware debugger.
4. Based on the version of MPLAB IDE you are using, do one of the following:
 - a) For MPLAB IDE 8, select *Programmer > Reconnect*.
 - b) For MPLAB X IDE, select *Window > Dashboard* and click the **Refresh Debug Tool Status** icon ().
5. Depending on the development tool used, the part number *and* Device Revision ID value appear in the **Output** window.

Note: If you are unable to extract the silicon revision level, please contact your local Microchip sales office for assistance.

The DEVREV values for the various silicon revisions of the dsPIC33EPXXGS202 family are shown in [Table 1](#).

TABLE 1: SILICON DEVREV VALUES

Part Number	Device ID ⁽¹⁾	Revision ID for Silicon Revision ⁽²⁾
		A3
dsPIC33EP16GS202	0x6D01	0x4003
dsPIC33EP32GS202	0x6D11	

- Note 1:** The Device IDs (DEVID and DEVREV) are located at the last two implemented addresses of configuration memory space. They are shown in hexadecimal in the format "DEVID DEVREV".
- Note 2:** Refer to the "dsPIC33EPXXGS202 Family Flash Programming Specification" (DS70005192) for detailed information on Device and Revision IDs for your specific device.

dsPIC33EPXXGS202 FAMILY

TABLE 2: SILICON ISSUE SUMMARY

Module	Feature	Item Number	Issue Summary	Affected Revisions ⁽¹⁾
				A3
UART	Break Character Transmission	1.	The Transmit Shift Register Empty (TRMT) bit is unreliable when there are back-to-back Break character transmissions.	X
PWM	Latched Faults	2.	In PWM Latched Fault mode, the PWM outputs may be latched on both the rising and the falling edge of the Fault signal, regardless of the Fault input polarity selection (set with the FLTPOLE bit (FCLCONx<2>) setting).	X
PWM	Immediate Update	3.	Dead time is not asserted when PDCx is updated which causes an immediate transition on the PWMxH and PWMxL outputs.	X
PWM	Master Time Base Mode	4.	Changes to the PHASEx register may result in missing dead time.	X
CPU	div.sd	5.	When using the div.sd instruction, the Overflow bit does not always get set when an overflow occurs.	X
CPU	DO Loop	6.	PSV access, including Table Reads or Writes in the last instruction of a DO loop, is not allowed.	X
PWM	Redundant/ Push-Pull Output Mode	7.	Changing the duty cycle value from a non-zero value to zero will produce a glitch pulse equal to 1 PWM clock.	X
PWM	Status Bits	8.	PWM Fault status bits do not function if the associated PWM Fault interrupts are disabled.	X
PWM	Push-Pull Mode	9.	When EIPU = 1, Period register writes may produce back-to-back pulses under certain conditions.	X
PWM	Trigger Compare Match	10.	The first PWM/ADC trigger event on a TRIGx/STRIGx match may not occur under certain conditions.	X
I ² C	Slave Mode	11.	Bus data can get corrupted when it matches with one of the slave addresses connected to the bus.	X
PWM	Push-Pull Mode	12.	When EIPU = 0, a period update may produce back-to-back pulses.	X
Auxiliary PLL	APLL Lock	13.	The APLL lock bit is asserted directly after enabling the APLL.	X
ADC	ADC Conversion	14.	Under specific conditions, multi-core ADC conversion cross-talk noise might be present.	X
I ² C	Slave Mode	15.	In 10-Bit Addressing Slave mode, on receiving the upper address byte (A9 and A8 bits), the Acknowledge Time Status bit (ACKTIM) is not asserted during the Acknowledgment sequence.	X
I ² C	Slave Receive Mode	16.	The Acknowledge Time Status bit (ACKTIM) is asserted only if Address Hold Enable (AHEN) or Data Hold Enable (DHEN) is enabled.	X
PWM	PWM Module Enable	17.	A glitch may be observed on the PWM pins when the PWM module is enabled after the assignment of pin ownership to the PWM module.	X
PWM	Center-Aligned Complementary	18.	Dead time between transitions of the PWMxH and PWMxL outputs may not be asserted when SWAP mode is disabled.	X
Comparator	Comparator Output Jitter	19.	The Comparator module may generate erroneous triggers/interrupts.	X

Note 1: Only those issues indicated in the last column apply to the current silicon revision.

dsPIC33EPXXGS202 FAMILY

TABLE 2: SILICON ISSUE SUMMARY (CONTINUED)

Module	Feature	Item Number	Issue Summary	Affected Revisions ⁽¹⁾
				A3
CPU	Variable Interrupt Latency	20.	When Variable Interrupt Latency is selected (VAR = 1), an address error trap or incorrect application behavior may occur.	X
CPU	Context Switching	21.	When nesting more than one interrupt (without an Alternate Working register set) within the interrupts which are using Alternate Working register sets, there will be an unexpected change in the CCTXI<2:0> bits in the CTXTSTAT register while returning from the highest priority interrupt.	X
I ² C	Address Hold	22.	In Slave mode when AHEN = 1 (Address Hold Enable), if the ACKDT bit (Acknowledge Data) is set at the beginning of address reception, clock stretching will not happen after the 8th clock.	X
I ² C	Data Hold	23.	In Slave mode when DHEN = 1 (Data Hold Enable), if the ACKDT bit (Acknowledge Data) is set at the beginning of data reception, then the slave interrupt will not occur after the 8th clock.	X
SPI	SPI Enable	24.	When SPI is enabled for the first time, there may be a spurious clock on the SCK which causes a mismatch between the clock and data lines.	X

Note 1: Only those issues indicated in the last column apply to the current silicon revision.

dsPIC33EPXXGS202 FAMILY

Silicon Errata Issues

Note: This document summarizes all silicon errata issues from all revisions of silicon, previous as well as current. Only the issues indicated by the shaded column in the following tables apply to the current silicon revision (**A3**).

1. Module: UART

The Transmit Shift Register Empty (TRMT) bit is unreliable when there are back-to-back Break character transmissions.

For back-to-back Break characters, the TRMT bit may not reflect the actual status. If user software is polling for this bit to be set, it may result in dummy bytes getting transmitted instead of Break characters.

Work around

Poll the UARTx Transmit Break bit, UTXBRK (U1STA<11>), to be cleared instead of the TRMT bit (U1STA<8>) to be set. The UTXBRK status bit will be cleared after a Break character transmission.

Affected Silicon Revisions

A3								
X								

2. Module: PWM

In PWM Latched Fault mode, the PWM outputs may be latched on both the rising and the falling edge of the Fault signal, regardless of the Fault input polarity selection (set with the FLTPOL bit (FCLCONx<2>) setting).

Work around

None.

Affected Silicon Revisions

A3								
X								

3. Module: PWM

The PWMx generator may not assert dead time on the edges of transitions. This has been observed when all of the following conditions are present:

- The PWMx generator is configured to operate in Complementary mode with the independent time base or master time base
- Immediate update is enabled
- The value in the PDCx register is updated in such a manner that the PWMxH and PWMxL outputs make an immediate transition

The current duty cycle, PDCOLD, newly calculated duty cycle, PDCNEW, and the point at which the write to the Duty Cycle register occurs within the PWMx time base, will determine if the PWMxH and PWMxL outputs make an immediate transition. PWMxH and PWMxL outputs make an immediate transition if the Duty Cycle register is written with a new value, PDCNEW, at a point of time when the PWMx time base is counting a value that is in between PDCNEW and PDCOLD. Additionally, writing to the Duty Cycle register close to the instant of time where dead time is being applied may result in reduced dead time, effective on the PWMxH and PWMxL transition edges.

In [Figure 1](#), if the duty cycle write occurred in the shaded box, then PWMxH and PWMxL will make an immediate transition without dead time.

Work around

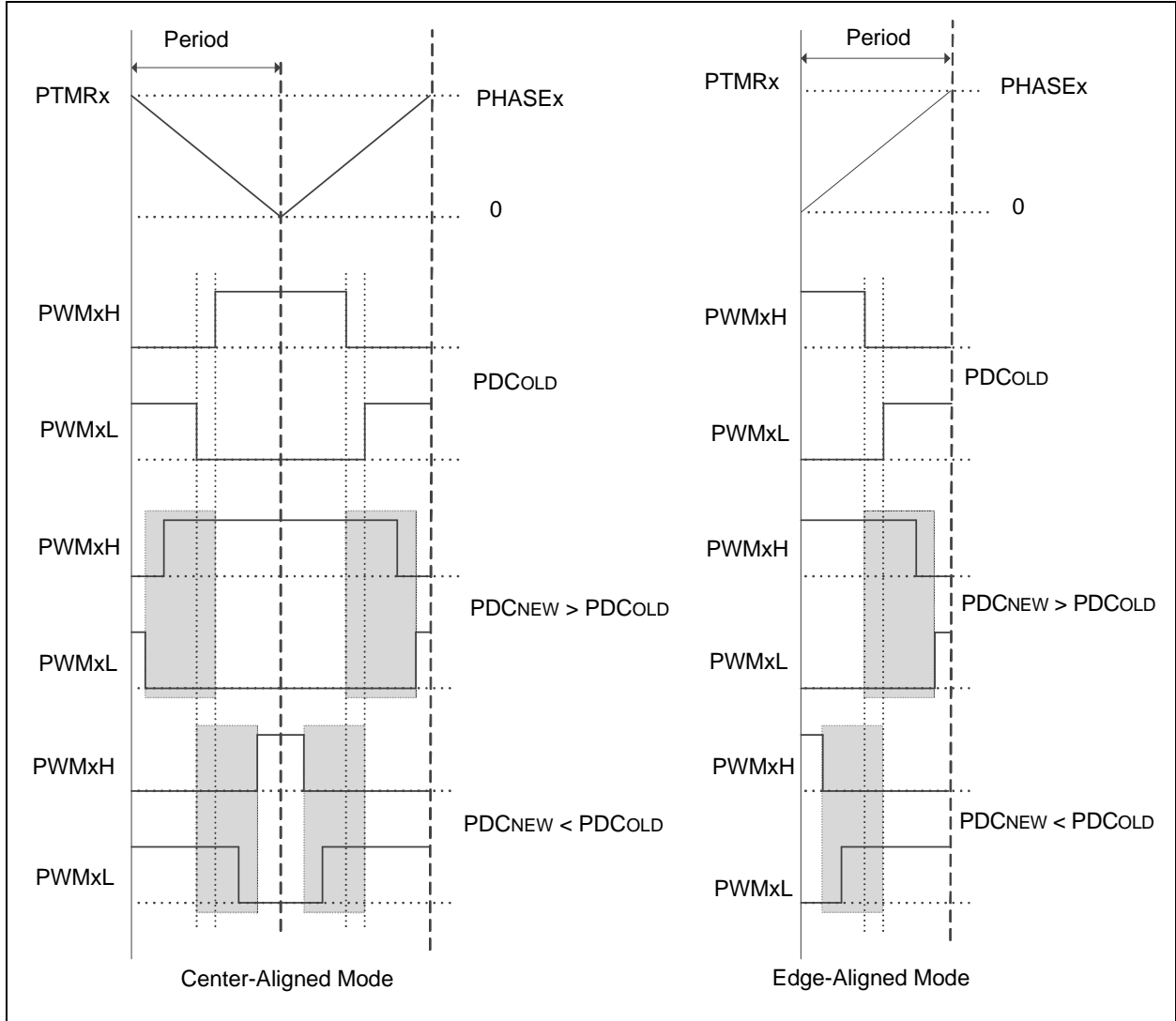
None. However, in most applications, the duty cycle update timing can be controlled using the TRIGx trigger or Special Event Trigger to avoid the above mentioned conditions.

Affected Silicon Revisions

A3								
X								

dsPIC33EPXXGS202 FAMILY

FIGURE 1: TIMING DIAGRAMS FOR CENTER-ALIGNED AND EDGE-ALIGNED MODES



dsPIC33EPXXGS202 FAMILY

4. Module: PWM

In Edge-Aligned mode, changes to the PHASEx register under certain circumstances will result in missing dead time at the PWMxH-to-PWMxL transition. This has been observed only when all of the following are true:

- Master Time Base mode is enabled (PWMCONx<9> = 0)
- PHASEx is changed after the PWMx module is enabled
- The PHASEx register value is changed, so that either PHASEx < DTRx or PHASEx > PDCx

Work around

None.

Affected Silicon Revisions

A3							
X							

5. Module: CPU

When using the Signed 32-by-16-bit Division instruction, `div.sd`, the Overflow bit does not always get set when an overflow occurs.

Work around

Test for and handle overflow conditions outside of the `div.sd` instruction.

Affected Silicon Revisions

A3							
X							

6. Module: CPU

Table Write (TBLWTL, TBLWTH) instructions cannot be the first or last instruction of a DO loop.

Work around

None.

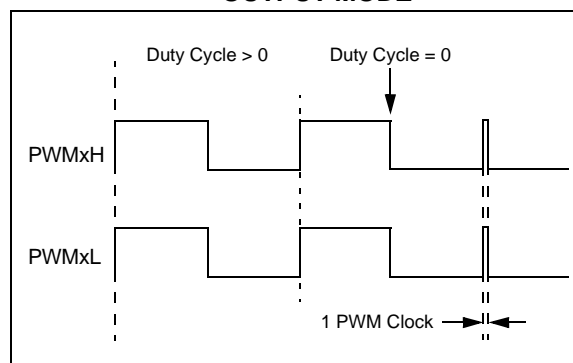
Affected Silicon Revisions

A3							
X							

7. Module: PWM

In the Redundant Output mode (IOCONx<11:10> = 0b01) and Push-Pull Output mode (IOCONx<11:10> = 0b10), with the Immediate Update Enable bit disabled (PWMCONx<0> = 0), when the Duty Cycle register is updated from a non-zero value to zero, a glitch pulse of a width equal to 1 PWM clock will appear at the next PWM period boundary, as shown in Figure 2 (for the Redundant Output mode). The Duty Cycle register refers to the PDCx register if PWMCONx<8> = 0 or the MDC register if PWMCONx<8> = 1.

FIGURE 2: EXAMPLE FOR REDUNDANT OUTPUT MODE



Work around

If the application requires a zero duty cycle output, there are two possible work around methods:

1. Use the PWM override feature to override the PWM output to a low state instead of writing to the Duty Cycle register. In order to switch back to a non-zero duty cycle output, turn off the PWM override. The override-on and override-off events must be timed close to the PWM period boundary if the IOCONx register has been configured with IOCONx<0> = 0 (i.e., output overrides through the OVDDAT<1:0> bits occur on the next CPU clock boundary).
2. Enable the Immediate Update Enable bit (PWMCONx<0> = 1) while configuring the PWMx module (i.e., before enabling the PWMx module, PTCON<15> = 1). With the Immediate Update enabled, writes to the Duty Cycle register can have an immediate effect on the PWM output. Therefore, the duty cycle write operations must be timed close to the PWM period boundary in order to avoid distortions in the PWM output.

Affected Silicon Revisions

A3							
X							

dsPIC33EPXXGS202 FAMILY

8. Module: PWM

If PWM Fault interrupts are disabled (FLTEN = 0 or CLIEN = 0), then associated status bits (FLTSTAT and CLSTAT) will not function.

Work around

None.

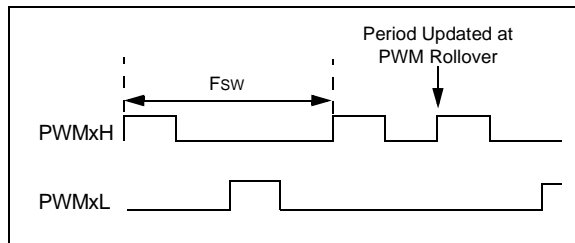
Affected Silicon Revisions

A3								
X								

9. Module: PWM

When the PWM module is configured for Push-Pull mode (IOCONx<11:10> = 0b10) with the Enable Immediate Period Update bit enabled (PTCON<10> = 1), a write to the Period register that coincides with the period rollover event may cause the push-pull output logic to produce back-to-back pulses on the PWMx pins (Figure 3).

FIGURE 3:



Work around

If the EIPU bit is set (PTCON<10> = 1), ensure that the update to the PWM Period register occurs away from the PWM rollover event. Use either the PWM Special Event Trigger (SEVTCMP) or the PWM Primary Trigger (TRIGx) to generate a PWM Interrupt Service Routine (ISR) near the start of the PWM cycle. The PWM Period register could be updated inside this ISR so that the period writes do not occur near the PWM period rollover event.

Affected Silicon Revisions

A3								
X								

10. Module: PWM

The triggers generated by the PWMx Primary Trigger Compare Value register (TRIGx) and the PWMx Secondary Trigger Compare Value register (STRIGx) will not trigger at the point defined by the TRIGx/STRIGx register values on the first instance for the configurations listed below. Subsequent trigger instances are not affected.

- Trigger compare values for TRIGx and STRIGx are less than 8 counts
- Trigger Output Divider bits, TRGDIV<3:0> (TRGCONx<15:12>), are greater than '0'
- Trigger Postscaler Start Enable Select bits, TRGSTRT<5:0> (TRGCONx<5:0>), are equal to '0'

Work around

Configure the PWMx Primary Trigger Compare Value Register (TRIGx) and PWMx Secondary Trigger Compare Value Register (STRIGx) values to be equal to or greater than 8.

Affected Silicon Revisions

A3								
X								

11. Module: I²C

In applications with multiple I²C slaves, bus data can become corrupted when the data payload sent to an addressed slave device matches the bus address of another (unaddressed) slave device.

Work around

Keep track of the bus address and data phases in software. When Address Hold Enable is used (the AHEN bit is set), the application can assert a NACK for any of the received bytes (invalid addresses and data bytes for other slave devices) until a Stop bit is received.

Affected Silicon Revisions

A3								
X								

dsPIC33EPXXGS202 FAMILY

12. Module: PWM

When the PWM module is configured for Push-Pull mode (IOCONx<11:10> = 0b10) with the Enable Immediate Period Update bit (PTCON<10> = 0), and is operating in Master Time Base mode (ITB (PWMCONx<9>) = 0), a write to the Period register occurs on PWMx cycle boundaries. This may cause the push-pull output logic to produce back-to-back pulses on the PWMx pins.

Work around

Work around 1: Ensure that the Enable Immediate Period Updates bit (PTCON<10> = 1) is set.

Work around 2: Configure the PWM Phase-Shift Value (PHASEx<15:0>) with a value higher than 0x0007. When multiple PWM generators are configured in Push-Pull mode, configure the PWM Phase Shift Value with a value higher than 0x0007 for respective PWM generators.

Affected Silicon Revisions

A3								
X								

13. Module: Auxiliary PLL

The Auxiliary PLL Lock bit (ACLKCON<14>) is asserted directly after enabling the APLL module (ACLKCON<15>).

Work around

Add a 50 μ s delay routine after enabling the APLL lock bit.

Affected Silicon Revisions

A3								
X								

14. Module: ADC

When using multiple ADC cores, if one of the ADC cores completes conversion while other ADC cores are still converting, the data in the ADC cores which are converting may be randomly corrupted.

Work around

Work around 1: When using multiple ADC cores, the ADC triggers must be sufficiently staggered in time to ensure that the end of conversion of one or more cores doesn't occur during the conversion process of other cores.

Work around 2: For simultaneous conversion requirements, make sure the following conditions are met:

1. All the ADC cores for simultaneous conversion should have the same configurations.
2. Avoid shared ADC core conversion with any of the dedicated ADC cores; they can be sequential.
3. The trigger to initiate ADC conversion should be from the same source and at the same time.

Affected Silicon Revisions

A3								
X								

dsPIC33EPXXGS202 FAMILY

15. Module: I²C

In I²C10-Bit Slave Addressing mode, on receiving the upper address byte (A9 and A8 bits), the Acknowledge Time status bit (ACKTIM) is not asserted during the Acknowledgment sequence. This issue is not seen during the reception of the lower address byte (A7 to A0) and data bytes.

The hardware asserts the ACKTIM on the falling edge of the eighth clock and deasserts on the rising edge of the ninth clock. In this case, ACKTIM is not asserted on upper address byte reception. When AHEN = 1, the clock is stretched after the 8th falling edge and the ACKTIM bit is asserted until the clock is released. If AHEN = 0, the clock is not stretched and ACKTIM is asserted during the Acknowledgment sequence, which is of a short duration. Therefore, the user application can see this issue of the ACKTIM bit not getting asserted when AHEN = 1.

Work around

Instead of polling for ACKTIM to be asserted, poll for the RBF flag.

Affected Silicon Revisions

A3							
X							

16. Module: I²C

In I²C Slave Receive mode, the Acknowledge Time status bit (ACKTIM) has no effect if the Address Hold Enable (AHEN) and Data Hold Enable (DHEN) bits are disabled (AHEN = 0 and DHEN = 0). The Acknowledge Time status bit (ACKTIM) is asserted only if the Address Hold Enable (AHEN) or Data Hold Enable (DHEN) bit is enabled.

Work around

Instead of polling for the ACKTIM bit to be asserted, poll for the RBF flag.

Affected Silicon Revisions

A3							
X							

dsPIC33EPXXGS202 FAMILY

17. Module: PWM

The PENH and PENL bits in the IOCONx register are used to assign ownership of the pins to either the PWM module or the GPIO module. The correct procedure to configure the PWM module is to first assign pin ownership to the PWM module and then enable it using the PTEN bit in the PTCOEN register.

If the PWM module is enabled using the above sequence, then a glitch may be observed on the PWM pins before the actual switching of the PWM outputs begins. This glitch may cause a momentary turn-on of power MOSFETs that are driven by the PWM pins and may cause damage to the application hardware.

Work around

Perform the following steps to avoid any glitches from appearing on the PWM outputs at the time of enabling:

1. Configure the respective PWM pins to digital inputs using the TRISx registers. This step will put the PWM pins in a high-impedance state. The PWM outputs must be maintained in a safe state by using pull-up or pull-down resistors.

2. Assign pin ownership to the GPIO module by configuring the PENH bit (IOCONx<15> = 0) and the PENL bit (IOCONx<14> = 0).
3. Specify the PWM override state to the desired safe state for the PWM pins using the OVRDAT<1:0> bit field in the IOCONx register.
4. Override the PWM outputs by setting the OVRENH bit (IOCONx<9> = 1) and the OVRENL bit (IOCONx<8> = 1).
5. Enable the PWM module by setting the PTEN bit (PTCOEN<15> = 1).
6. Remove the PWM overrides by configuring the OVRENH bit (IOCONx<9> = 0) and the OVRENL bit (IOCONx<8> = 0).
7. Ensure a delay of at least one full PWM cycle.
8. Assign pin ownership to the PWM module by setting the PENH bit (IOCONx<15> = 1) and the PENL bit (IOCONx<14> = 1).

The code in [Example 1](#) illustrates the use of this work around.

Affected Silicon Revisions

A3								
X								

EXAMPLE 1: CONFIGURE PWM MODULE TO PREVENT GLITCHES ON PWM1H AND PWM1L PINS AT THE TIME OF ENABLING

```
TRISAbits.TRISA4 = 1; // Configure PWM1H/RA4 as digital input
// Ensure output is in safe state using pull-up or pull-down resistors
TRISAbits.TRISA3 = 1; // Configure PWM1L/RA3 as digital input
// Ensure output is in safe state using pull-up or pull-down resistors

IOCON1bits.PENH = 0; // Assign pin ownership of PWM1H/RA4 to GPIO module
IOCON1bits.PENL = 0; // Assign pin ownership of PWM1L/RA3 to GPIO module

IOCON1bits.OVRDAT = 0; // Configure PWM outputs override state to the desired safe state

IOCON1bits.OVRENH = 1; // Override PWM1H output
IOCON1bits.OVRENL = 1; // Override PWM1L output

PTCOENbits.PTEN = 1; // Enable PWM module

IOCON1bits.OVRENH = 0; // Remove override for PWM1H output
IOCON1bits.OVRENL = 0; // Remove override for PWM1L output

Delay(x); // Introduce a delay greater than one full PWM cycle

IOCON1bits.PENH = 1; // Assign pin ownership of PWM1H/RA4 to PWM module
IOCON1bits.PENL = 1; // Assign pin ownership of PWM1L/RA3 to PWM module
```

dsPIC33EPXXGS202 FAMILY

18. Module: PWM

In Center-Aligned Complementary mode with Independent Time Base, the expected dead time between transitions of the PWMxH and PWMxL outputs may not be asserted when SWAP (IOCONx<1>) is disabled under the following conditions:

- PWMx module is enabled (PTEN = 1)
- SWAP is enabled prior to this event

Work around

None.

Affected Silicon Revisions

A3								
X								

19. Module: Comparator

Analog comparator output may have a jitter when it is operating and this will generate erroneous triggers/interrupts. If the PWM module is configured to be controlled by an analog comparator, the output of the PWM generator may be affected by jitter in the analog comparator output.

Work around:

Configure the Comparator Hysteresis Select bits, HYSSEL<1:0>, as '0b11' (20 mV hysteresis) and set the Digital Filter Enable bit, FLTREN (CMPxCON<10>), to '1'.

Affected Silicon Revisions

A3								
X								

20. Module: CPU

An address error trap or incorrect application behavior may occur if the variable exception processing latency is enabled by setting the VAR bit (CORCON<15> = 1).

Work around

Enable the Fixed Interrupt Latency mode by clearing the VAR bit (CORCON<15> = 0).

Affected Silicon Revisions

A3								
X								

dsPIC33EPXXGS202 FAMILY

21. Module: CPU

When returning from an Interrupt Service Routine (ISR) by executing the `RETFIE` instruction, in the case of a nested interrupt, the Interrupt Priority bits (`IPC<3:0>`) associated with the lower priority interrupt are compared with the `CTXTn` bits field in the `FLTREG` Configuration register:

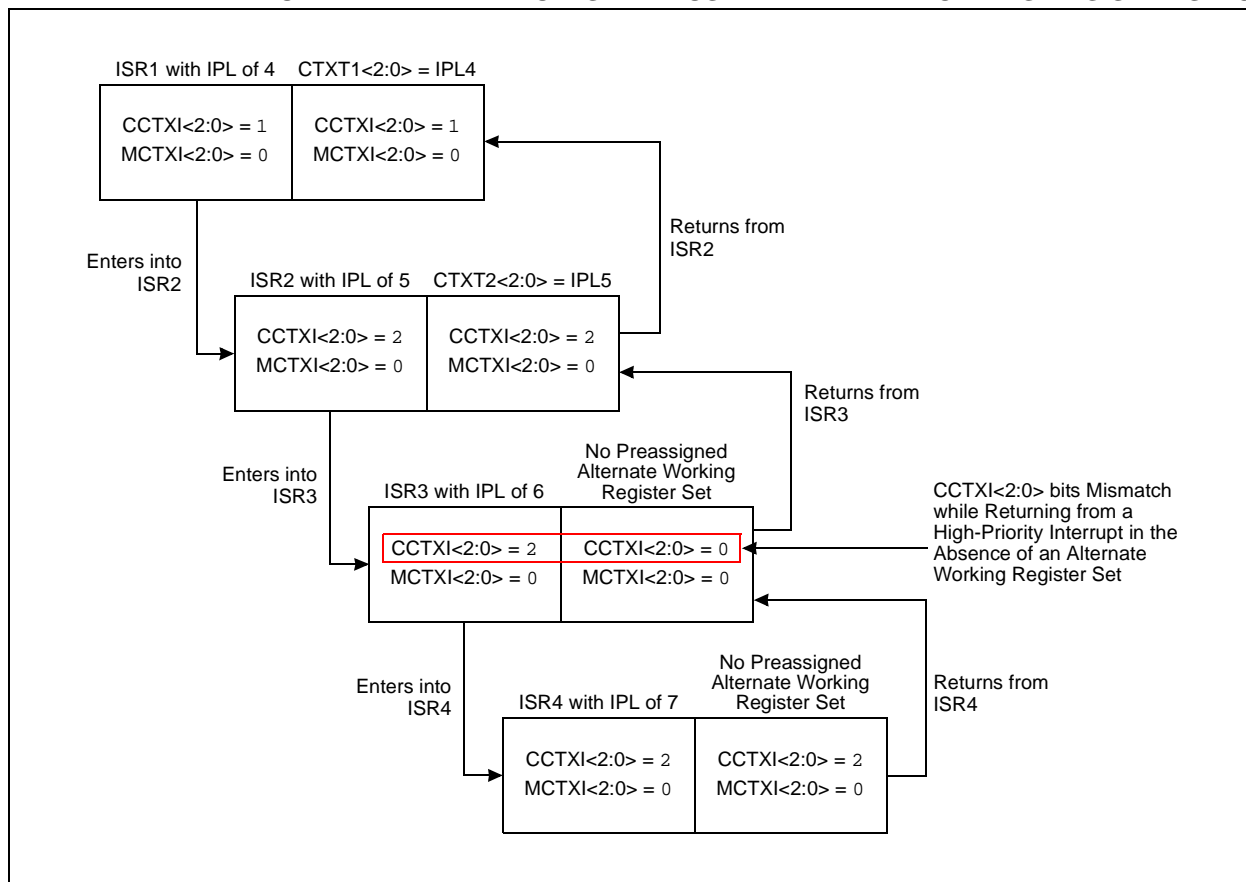
- If there is a match with either of the `CTXTn` bits field, then the corresponding Alternate Working Register Set is chosen and the Current Context Identifier bits (`CCTXI<2:0>`) in the `CTXTSTAT` register are updated to reflect the new Alternate Working Register Set.
- If there is no match with either of the `CTXTn` bits field, then the expected behavior is to keep the context (defined by the value of the Current Context Identifier bits, `CCTXI<2:0>` in the `CTXTSTAT` register) unchanged. However, the

context gets changed. A new context corresponding to the value in the Manual Context Identifier bits (`MCTXI<2:0>`) in the `CTXTSTAT` register is selected by the hardware and the `CCTXI<2:0>` bits in the `CTXTSTAT` register are modified to reflect this change.

When using interrupts with the Alternate Working Register Set (automatic context assignment), no more than one ISR without an Alternate Working Register Set must be nested within an ISR with an Alternate Working Register Set.

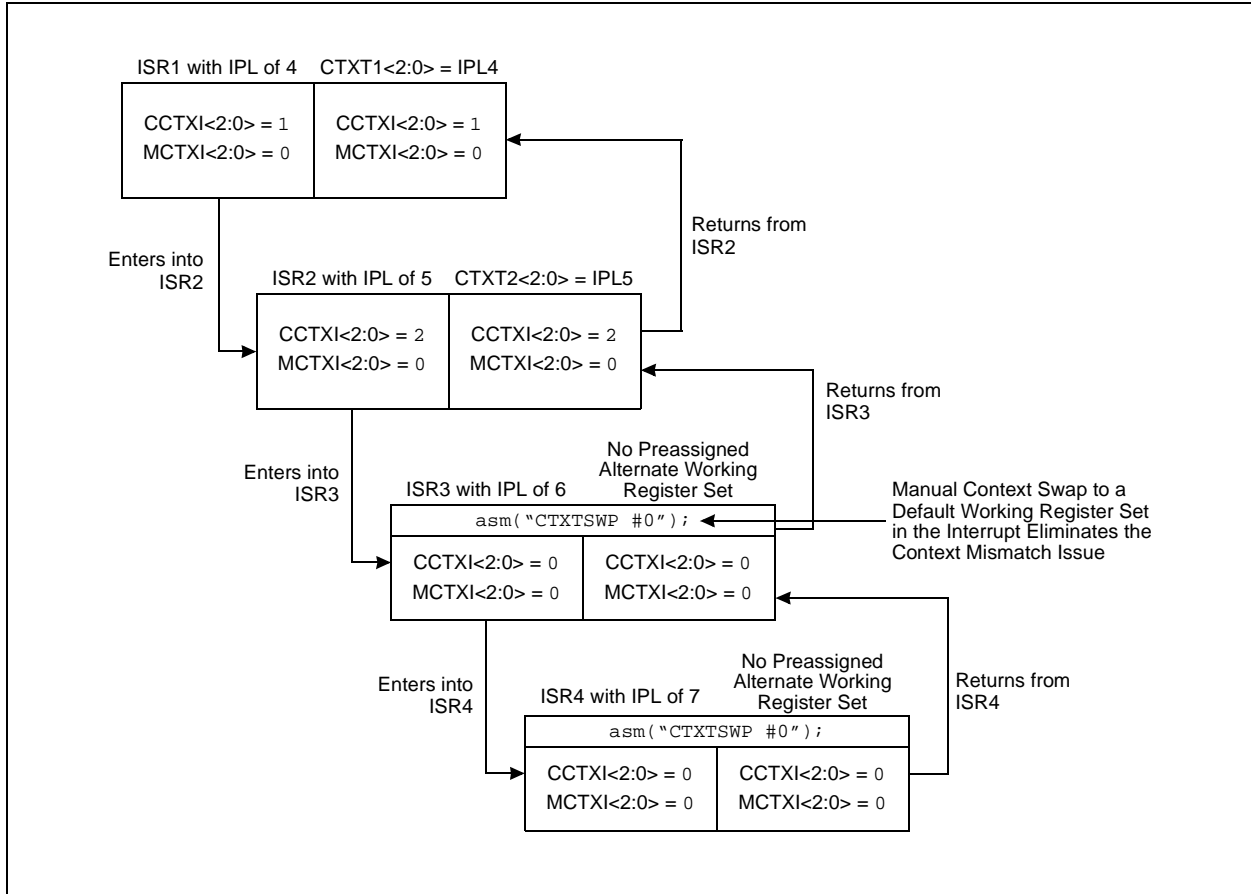
Issue and work around are illustrated in [Figure 4](#) and [Figure 5](#), respectively. The figures show the status bits, `CCTXI<2:0>` and `MCTXI<2:0>`, after entering into an ISR from a lower priority ISR (left pane), and after returning to the same ISR from a higher priority ISR (right pane).

FIGURE 4: MISMATCH OF WORKING REGISTER SET WHEN NESTING MORE THAN ONE INTERRUPT WITHIN INTERRUPTS THAT USE ALTERNATE WORKING REGISTER SETS



dsPIC33EPXXGS202 FAMILY

FIGURE 5: WORK AROUND FOR MISMATCH OF WORKING REGISTER SET WHEN NESTING MORE THAN ONE INTERRUPT WITHIN INTERRUPTS THAT USE ALTERNATE WORKING REGISTER SETS



Work around

Work around 1: When using interrupts with the Alternate Working Register Set, at the entry of all ISRs that do not have an Alternate Working Register Set and have a higher IPL level than the ISRs with an Alternate Working Register Set, perform a manual context swap to Context #0 as:

```
asm("CTXTSWP #0");
```

Note: The application software must not perform a manual context swap (using the CTXTSWP instruction) to a context other than Context #0.

Work around 2: Always assign higher IPLs for the ISRs that use an Alternate Working Register Set than for the ISRs that do not use an Alternate Working Register Set.

Affected Silicon Revisions

A3							
X							

dsPIC33EPXXGS202 FAMILY

22. Module: I²C

In Slave mode, when AHEN = 1 (Address Hold Enable), if the ACKDT bit (Acknowledge Data) is set at the beginning of address reception, clock stretching will not happen after the 8th clock.

Work around

In Slave mode, user software should clear ACKDT on receiving the Start bit.

Affected Silicon Revisions

A3							
X							

23. Module: I²C

In Slave mode, when DHEN = 1 (Data Hold Enable), if the ACKDT bit (Acknowledge Data) is set at the beginning of data reception then the slave interrupt will not occur after the 8th clock.

Work around

In Slave mode, user software should clear ACKDT on receiving the Start bit.

Affected Silicon Revisions

A3							
X							

24. Module: SPI

When SPI is enabled for the first time, there may be a spurious clock on the SCK. This may result in one bit of data shifted out on the data line, resulting in a mismatch between the clock and data lines.

This issue may also occur when the SPI is disabled during data transmission and enabled subsequently.

Work around

1. Disable the SPI module after two SPI cycles and then re-enable SPI; this will synchronize the clock and data.
2. If the SPI is configured on PPS pins, first enable the SPI without configuring the PPS, then allow two SPI clocks to pass and then configure the PPS to connect to the SPI module. This will prevent the spurious SPI clock going out on the pin. If the SPI module is turned off periodically, ensure to turn off the PPS as well.

Affected Silicon Revisions

A3							
X							

dsPIC33EPXXGS202 FAMILY

Data Sheet Clarifications

The following typographic corrections and clarifications are to be noted for the latest version of the device data sheet (DS70005208C):

<p>Note: Corrections are shown in bold. Where possible, the original bold text formatting has been removed for clarity.</p>

None.

dsPIC33EPXXGS202 FAMILY

APPENDIX A: DOCUMENT REVISION HISTORY

Rev A Document (5/2015)

This version of the document was never released.

Rev B Document (9/2015)

Includes silicon issues: 1 (UART), 2-4 (PWM), 5-6 (CPU), 7-10 (PWM), 11 (I²C), 12 (PWM), 13 (Auxiliary PLL), 14 (ADC), 15-16 (I²C), 17-18 (PWM) and 19 (Comparator).

Rev C Document (3/2016)

Adds new silicon issues 20 (CPU), 21 (CPU), 22 (I²C), 23 (I²C) and 24 (SPI).

Note the following details of the code protection feature on Microchip devices:

- Microchip products meet the specification contained in their particular Microchip Data Sheet.
- Microchip believes that its family of products is one of the most secure families of its kind on the market today, when used in the intended manner and under normal conditions.
- There are dishonest and possibly illegal methods used to breach the code protection feature. All of these methods, to our knowledge, require using the Microchip products in a manner outside the operating specifications contained in Microchip's Data Sheets. Most likely, the person doing so is engaged in theft of intellectual property.
- Microchip is willing to work with the customer who is concerned about the integrity of their code.
- Neither Microchip nor any other semiconductor manufacturer can guarantee the security of their code. Code protection does not mean that we are guaranteeing the product as “unbreakable.”

Code protection is constantly evolving. We at Microchip are committed to continuously improving the code protection features of our products. Attempts to break Microchip's code protection feature may be a violation of the Digital Millennium Copyright Act. If such acts allow unauthorized access to your software or other copyrighted work, you may have a right to sue for relief under that Act.

Information contained in this publication regarding device applications and the like is provided only for your convenience and may be superseded by updates. It is your responsibility to ensure that your application meets with your specifications. MICROCHIP MAKES NO REPRESENTATIONS OR WARRANTIES OF ANY KIND WHETHER EXPRESS OR IMPLIED, WRITTEN OR ORAL, STATUTORY OR OTHERWISE, RELATED TO THE INFORMATION, INCLUDING BUT NOT LIMITED TO ITS CONDITION, QUALITY, PERFORMANCE, MERCHANTABILITY OR FITNESS FOR PURPOSE. Microchip disclaims all liability arising from this information and its use. Use of Microchip devices in life support and/or safety applications is entirely at the buyer's risk, and the buyer agrees to defend, indemnify and hold harmless Microchip from any and all damages, claims, suits, or expenses resulting from such use. No licenses are conveyed, implicitly or otherwise, under any Microchip intellectual property rights unless otherwise stated.

Microchip received ISO/TS-16949:2009 certification for its worldwide headquarters, design and wafer fabrication facilities in Chandler and Tempe, Arizona; Gresham, Oregon and design centers in California and India. The Company's quality system processes and procedures are for its PIC® MCUs and dsPIC® DSCs, KEELoC® code hopping devices, Serial EEPROMs, microperipherals, nonvolatile memory and analog products. In addition, Microchip's quality system for the design and manufacture of development systems is ISO 9001:2000 certified.

**QUALITY MANAGEMENT SYSTEM
CERTIFIED BY DNV
= ISO/TS 16949 =**

Trademarks

The Microchip name and logo, the Microchip logo, AnyRate, dsPIC, FlashFlex, flexPWR, Heldo, JukeBlox, KeeLoq, KeeLoq logo, Klear, LANCheck, LINK MD, MediaLB, MOST, MOST logo, MPLAB, OptoLyzer, PIC, PICSTART, PIC32 logo, RightTouch, SpyNIC, SST, SST Logo, SuperFlash and UNI/O are registered trademarks of Microchip Technology Incorporated in the U.S.A. and other countries.

ClockWorks, The Embedded Control Solutions Company, ETHERSYNCH, Hyper Speed Control, HyperLight Load, IntelliMOS, mTouch, Precision Edge, and QUIET-WIRE are registered trademarks of Microchip Technology Incorporated in the U.S.A.

Analog-for-the-Digital Age, Any Capacitor, AnyIn, AnyOut, BodyCom, chipKIT, chipKIT logo, CodeGuard, dsPICDEM, dsPICDEM.net, Dynamic Average Matching, DAM, ECAN, EtherGREEN, In-Circuit Serial Programming, ICSP, Inter-Chip Connectivity, JitterBlocker, KlearNet, KlearNet logo, MiWi, motorBench, MPASM, MPF, MPLAB Certified logo, MPLIB, MPLINK, MultiTRAK, NetDetach, Omniscient Code Generation, PICDEM, PICDEM.net, PICkit, PICtail, PureSilicon, RightTouch logo, REAL ICE, Ripple Blocker, Serial Quad I/O, SQL, SuperSwitcher, SuperSwitcher II, Total Endurance, TSHARC, USBCheck, VariSense, ViewSpan, WiperLock, Wireless DNA, and ZENA are trademarks of Microchip Technology Incorporated in the U.S.A. and other countries.

SQTP is a service mark of Microchip Technology Incorporated in the U.S.A.

Silicon Storage Technology is a registered trademark of Microchip Technology Inc. in other countries.

GestIC is a registered trademarks of Microchip Technology Germany II GmbH & Co. KG, a subsidiary of Microchip Technology Inc., in other countries.

All other trademarks mentioned herein are property of their respective companies.

© 2015-2016, Microchip Technology Incorporated, Printed in the U.S.A., All Rights Reserved.

ISBN: 978-1-5224-0388-3



MICROCHIP

Worldwide Sales and Service

AMERICAS

Corporate Office

2355 West Chandler Blvd.
Chandler, AZ 85224-6199
Tel: 480-792-7200
Fax: 480-792-7277
Technical Support:
<http://www.microchip.com/support>

Web Address:
www.microchip.com

Atlanta

Duluth, GA
Tel: 678-957-9614
Fax: 678-957-1455

Austin, TX

Tel: 512-257-3370

Boston

Westborough, MA
Tel: 774-760-0087
Fax: 774-760-0088

Chicago

Itasca, IL
Tel: 630-285-0071
Fax: 630-285-0075

Cleveland

Independence, OH
Tel: 216-447-0464
Fax: 216-447-0643

Dallas

Addison, TX
Tel: 972-818-7423
Fax: 972-818-2924

Detroit

Novi, MI
Tel: 248-848-4000

Houston, TX

Tel: 281-894-5983

Indianapolis

Noblesville, IN
Tel: 317-773-8323
Fax: 317-773-5453

Los Angeles

Mission Viejo, CA
Tel: 949-462-9523
Fax: 949-462-9608

New York, NY

Tel: 631-435-6000

San Jose, CA

Tel: 408-735-9110

Canada - Toronto

Tel: 905-673-0699
Fax: 905-673-6509

ASIA/PACIFIC

Asia Pacific Office

Suites 3707-14, 37th Floor
Tower 6, The Gateway
Harbour City, Kowloon

Hong Kong

Tel: 852-2943-5100
Fax: 852-2401-3431

Australia - Sydney

Tel: 61-2-9868-6733
Fax: 61-2-9868-6755

China - Beijing

Tel: 86-10-8569-7000
Fax: 86-10-8528-2104

China - Chengdu

Tel: 86-28-8665-5511
Fax: 86-28-8665-7889

China - Chongqing

Tel: 86-23-8980-9588
Fax: 86-23-8980-9500

China - Dongguan

Tel: 86-769-8702-9880

China - Hangzhou

Tel: 86-571-8792-8115
Fax: 86-571-8792-8116

China - Hong Kong SAR

Tel: 852-2943-5100
Fax: 852-2401-3431

China - Nanjing

Tel: 86-25-8473-2460
Fax: 86-25-8473-2470

China - Qingdao

Tel: 86-532-8502-7355
Fax: 86-532-8502-7205

China - Shanghai

Tel: 86-21-5407-5533
Fax: 86-21-5407-5066

China - Shenyang

Tel: 86-24-2334-2829
Fax: 86-24-2334-2393

China - Shenzhen

Tel: 86-755-8864-2200
Fax: 86-755-8203-1760

China - Wuhan

Tel: 86-27-5980-5300
Fax: 86-27-5980-5118

China - Xian

Tel: 86-29-8833-7252
Fax: 86-29-8833-7256

ASIA/PACIFIC

China - Xiamen

Tel: 86-592-2388138
Fax: 86-592-2388130

China - Zhuhai

Tel: 86-756-3210040
Fax: 86-756-3210049

India - Bangalore

Tel: 91-80-3090-4444
Fax: 91-80-3090-4123

India - New Delhi

Tel: 91-11-4160-8631
Fax: 91-11-4160-8632

India - Pune

Tel: 91-20-3019-1500

Japan - Osaka

Tel: 81-6-6152-7160
Fax: 81-6-6152-9310

Japan - Tokyo

Tel: 81-3-6880-3770
Fax: 81-3-6880-3771

Korea - Daegu

Tel: 82-53-744-4301
Fax: 82-53-744-4302

Korea - Seoul

Tel: 82-2-554-7200
Fax: 82-2-558-5932 or
82-2-558-5934

Malaysia - Kuala Lumpur

Tel: 60-3-6201-9857
Fax: 60-3-6201-9859

Malaysia - Penang

Tel: 60-4-227-8870
Fax: 60-4-227-4068

Philippines - Manila

Tel: 63-2-634-9065
Fax: 63-2-634-9069

Singapore

Tel: 65-6334-8870
Fax: 65-6334-8850

Taiwan - Hsin Chu

Tel: 886-3-5778-366
Fax: 886-3-5770-955

Taiwan - Kaohsiung

Tel: 886-7-213-7828

Taiwan - Taipei

Tel: 886-2-2508-8600
Fax: 886-2-2508-0102

Thailand - Bangkok

Tel: 66-2-694-1351
Fax: 66-2-694-1350

EUROPE

Austria - Wels

Tel: 43-7242-2244-39
Fax: 43-7242-2244-393

Denmark - Copenhagen

Tel: 45-4450-2828
Fax: 45-4485-2829

France - Paris

Tel: 33-1-69-53-63-20
Fax: 33-1-69-30-90-79

Germany - Dusseldorf

Tel: 49-2129-3766400

Germany - Karlsruhe

Tel: 49-721-625370

Germany - Munich

Tel: 49-89-627-144-0
Fax: 49-89-627-144-44

Italy - Milan

Tel: 39-0331-742611
Fax: 39-0331-466781

Italy - Venice

Tel: 39-049-7625286

Netherlands - Drunen

Tel: 31-416-690399
Fax: 31-416-690340

Poland - Warsaw

Tel: 48-22-3325737

Spain - Madrid

Tel: 34-91-708-08-90
Fax: 34-91-708-08-91

Sweden - Stockholm

Tel: 46-8-5090-4654

UK - Wokingham

Tel: 44-118-921-5800
Fax: 44-118-921-5820

07/14/15