

50	P	66.65	52.68	61.11	11.08	14.99	11.09	5.85	1.0							
	S	66.85	52.30	61.11	10.62	14.99	11.21	6.05	0.8							
37	P	68.94	55.30	63.50	8.23	12.17	11.09	5.85	1.0							
	S	68.94	54.71	63.50	7.77	12.17	11.21	6.05	0.8							
25	P	52.65	38.84	47.04	8.23	12.17	11.07	5.85	0.8							
	S	52.65	38.25	47.04	7.77	12.17	11.21	6.05	0.8							
15	P	38.76	25.12	33.32	8.23	12.17	10.99	5.85	0.8							
	S	38.76	24.54	33.32	7.77	12.17	11.21	6.05	0.8							
09	P	30.43	16.79	24.99	8.23	12.17	10.99	5.85	0.8							
	S	30.43	16.21	24.99	7.77	12.17	11.21	6.05	0.8							
SHELL SIZE		A-0	+0.76	B-0	+0.25	C	±0.12	D-0	+0.25	E-0	+0.76	F MAX	G-0	+0.15	H-0	+0.22

NOTE:-INSIDE DIMENSIONS OF MALE AND OUTSIDE DIMENSIONS OF THE FEMALE CONNECTOR.

"This LF product meets European Union Directives and other country regulations as described in GS-22-008"

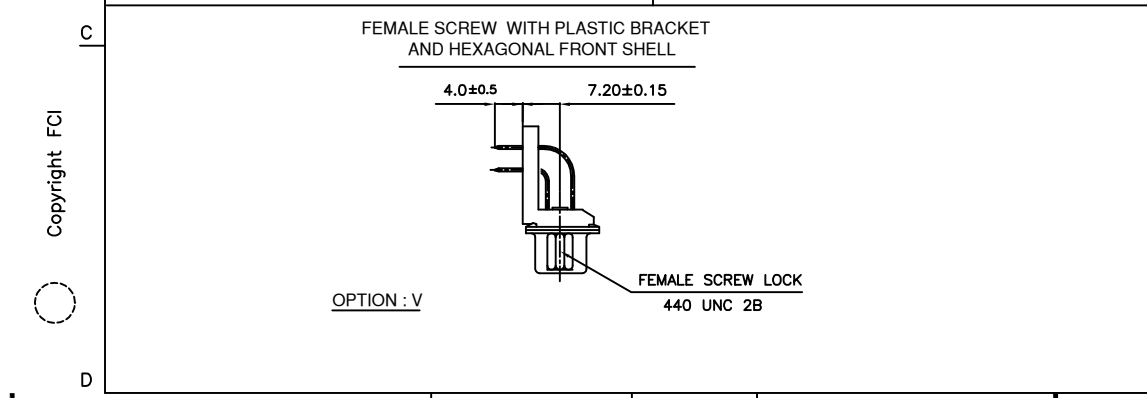
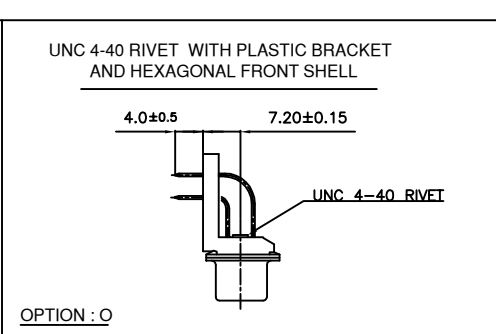
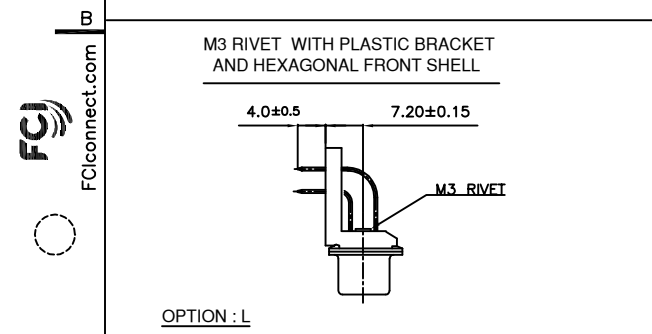
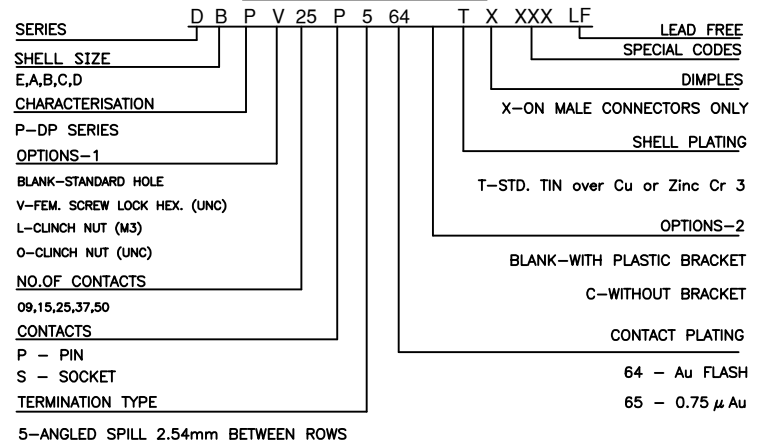
The housing will withstand exposure to 260°C peak temperature for 3.5 seconds in a wave solder application with a 1.6mm minimum thick circuit board.

Packaging as per GS-14-920

TECHNICAL SPECIFICATIONS

- SHELLS : TIN/ZINC PLATED STEEL
- INSULATOR MATERIAL : SELF EXTINGUISHING THERMOPLASTIC-- TO UL CLASS 94 V0
- INSULATOR MATERIAL : SELF EXTINGUISHING THERMOPLASTIC-- TO UL CLASS 94 V0
- THE HOUSING WILL WITHSTAND EXPOSURE TO 260-265°C IF WE USE PROTECTIVE ADHESIVE (type Kapton or Teflon) OR PROTECTIVE METALLIC DEVICE
- CONTACTS DIA ON ACTIVE AREA : #1 MM.
- CONTACTS MATERIAL : COPPER ALLOY
- CONTACT PLATING : GOLD OVER NICKEL
- OPERATING TEMPERATURE : -55°C +125°C
- OPERATING CURRENT : 7.5 A PER CONTACT
- CONTACT RESISTANCE : <7.3 mΩ
- INSULATION RESISTANCE : >5000 MΩ
- MAXIMUM VOLTAGE : 1000 V.r.m.s
- MECHANICAL ENDURANCE : 500 MATINGS MIN.FOR >0.75μ GOLD PLATING
- 200 MATINGS MIN.FOR <0.40μ GOLD PLATING
- DAMP HEAT : 56 DAYS FOR >0.75μ GOLD PLATING
- 21 DAYS FOR <0.40μ GOLD PLATING

ORDERING INFORMATION



mat'l. code		SEE NOTE 4		surface	ISO 1302	tolerance	ISO 406 ISO 1101	projection	product family	
ltr	ecn no	dr	date	tolerances unless otherwise specified				MM	title	
C	106-0074	GV J	2006/06/08	angles	linear					
sheet index		revision	C					scale	dwg no	
sheet		1					sheet 1 of 1			
				dr	Mini K Vandana	1999/03/20			size	
				enr	George V Joseph	1999/03/20				A3
				chr	George V Joseph	2006/06/23				
				appd	K-V SIVADAS	2006/06/23				
								FCJ	type	
										Product Customer Drawing

FCIconnect.com

Copyright FCI