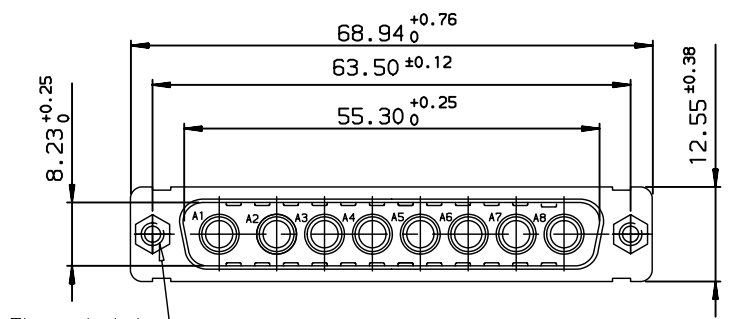
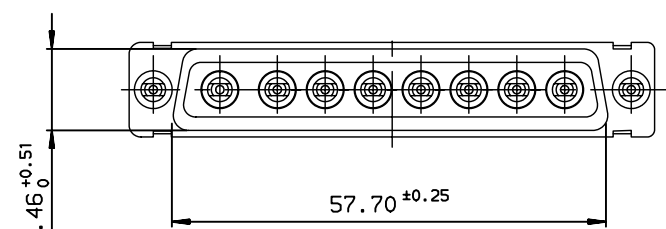
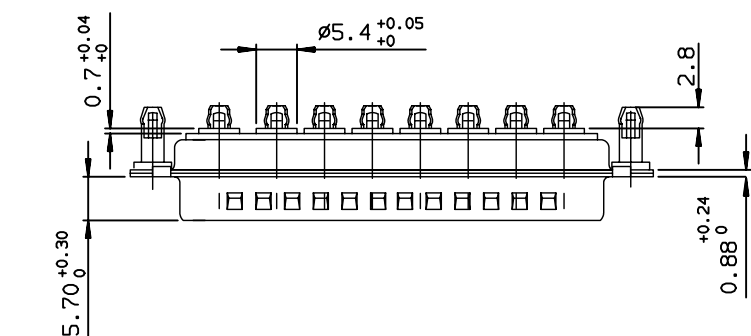


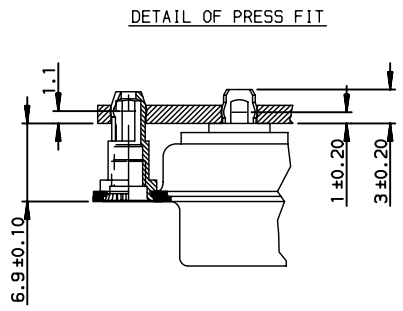
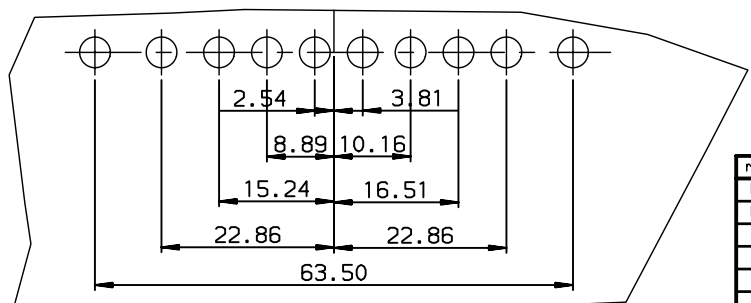
GENERAL CHARACTERISTICS : SEE DRAWING C01-8639-0002



Threaded A

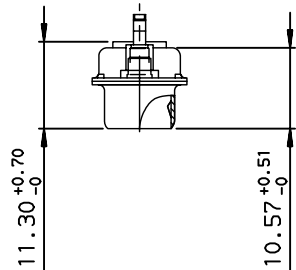


LAYOUT DIMENSIONS (after plating)
CONNECTOR SIDE VIEW



Plating: 5 --> 0.4µ AU
Plating: 6 --> 0.76µ AU

DC08W8P93C*G40	UNC 4.40
DCL8W8P93C*G40	M3
PART NUMBER	Threaded A



rev	ecn no	dr	date
D	-	MPE	2003/11/21
E	LS07-0094	MPE	2007/04/05
-	-	-	-
-	-	-	-
-	-	-	-
-	-	-	-

www.fciconnect.com		surface ISO 1302 ✓	tolerance std ISO 406 ISO 1101	projection mm
TOLERANCES UNLESS OTHERWISE SPECIFIED				
Dr	PESSON	2003/11/21	ANGULAR	LINEAR
Eng	PESSON	2003/11/21	0.X	±0.1
Chr	LEGARE	2003/11/21	0.XX	±0.1
Appr	LEGARE	2003/11/21	0.XXX	±0.1
Product family			SUB	
title PIN CONNECTOR FOR POWER CONTACTS PRESS FIT			dwg no C01-8639-1602	Rev. E
catalog no			CUSTOMER	sheet 1 of 1

European Views