

THIS IS ISSUED IN STRICT CONFIDENCE THAT IT IS NOT USED AS A BASIS FOR MANUFACTURE OR SALE AND THAT IT IS NOT COPIED, REPRINTED OR DISCLOSED TO A THIRD PARTY EITHER WHOLLY OR IN PART WITHOUT THE PRIOR WRITTEN CONSENT OF CAL TEST ELECTRONICS, INC.

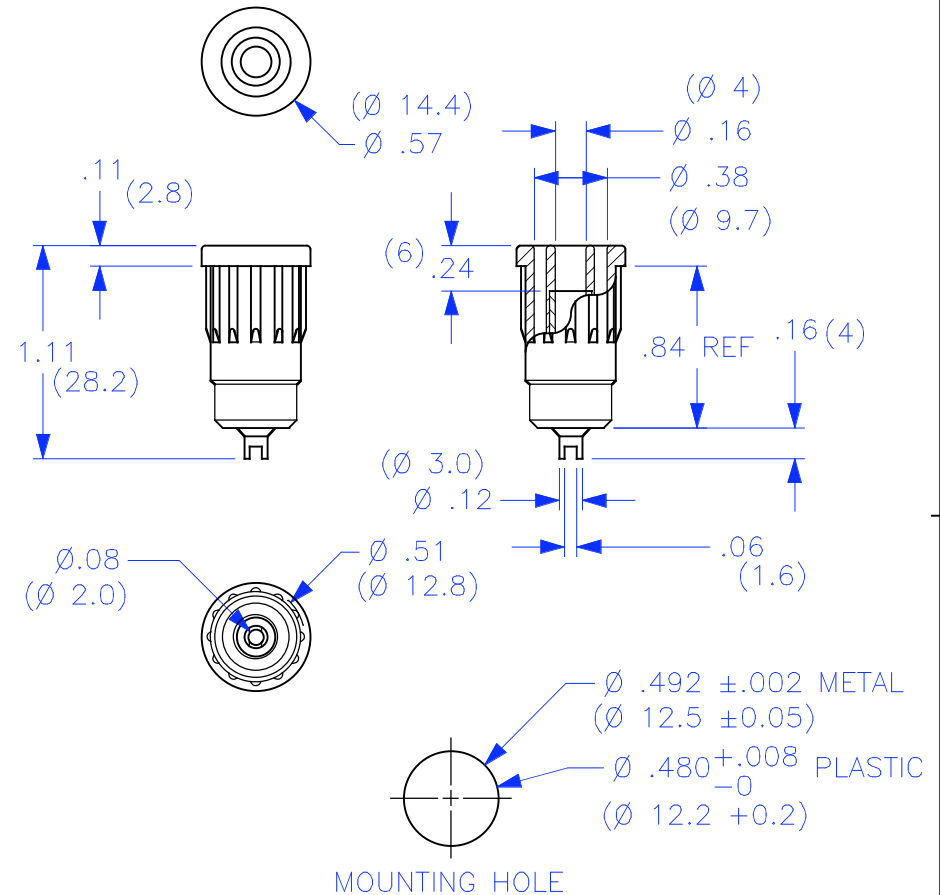
- PUSH-IN SAFETY SOCKET w/ ϕ .080 (ϕ 2.0) SOLDER FORK.
- SPECIFICATIONS:
INSULATOR: POLYAMIDE (NYLON)
CONTACT: BRASS, NICKEL PLATED
- RATING:
VOLTAGE: 1,000V CATIII P2 (IEC61010-1)
CURRENT: 25A MAX.
RESISTANCE: $<5m\Omega$.
TEMPERATURE: -20° C TO $+80^{\circ}$ C.
- MOUNTING HOLE: REF. DIAGRAM.

PART NUMBER

CT2245-#

- COLOR:
- 0 - BLACK
 - 1 - BROWN
 - 2 - RED
 - 3 - ORANGE
 - 4 - YELLOW
 - 5 - GREEN
 - 6 - BLUE
 - 7 - PURPLE
 - 8 - GRAY
 - 9 - WHITE

REVISIONS			
REV.	DESCRIPTIONS	DATE	APPROVED
-	CLASS A RELEASED	7/12/99	
A	REVISED CONFIGURATION & MATL. MOUNTING HOLE. NEW TOOLING.	4/18/04	



THIRD ANGLE PROJECTION		UNLESS OTHERWISE SPECIFIED DIMENSIONS ARE IN INCHES TOLERANCES ARE: FRACTIONS DECIMALS $\pm 1/32$.XX \pm .02 .XXX \pm .005 DO NOT SCALE DRAWING	CONTRACT NO.		Cal Test Electronics 22820 Savi Ranch Parkway Yorba Linda, CA 92887-4610			
			APPROVALS	DATE	TITLE			
MATERIAL		DRAWN	43F45	7/12/99	4mm PUSH-IN SAFETY SOCKET, w/ϕ .080 SOLDER FORK			
FINISH		CHECKED	ENGR.		SIZE	CAGE CODE	DWG. NO.	REV.
NEXT ASSY	USED ON	DESIGN ACTIVITY			A	43F45	P224500	A
APPLICATION					SCALE	SHEET		
					1:1	1 OF 1		