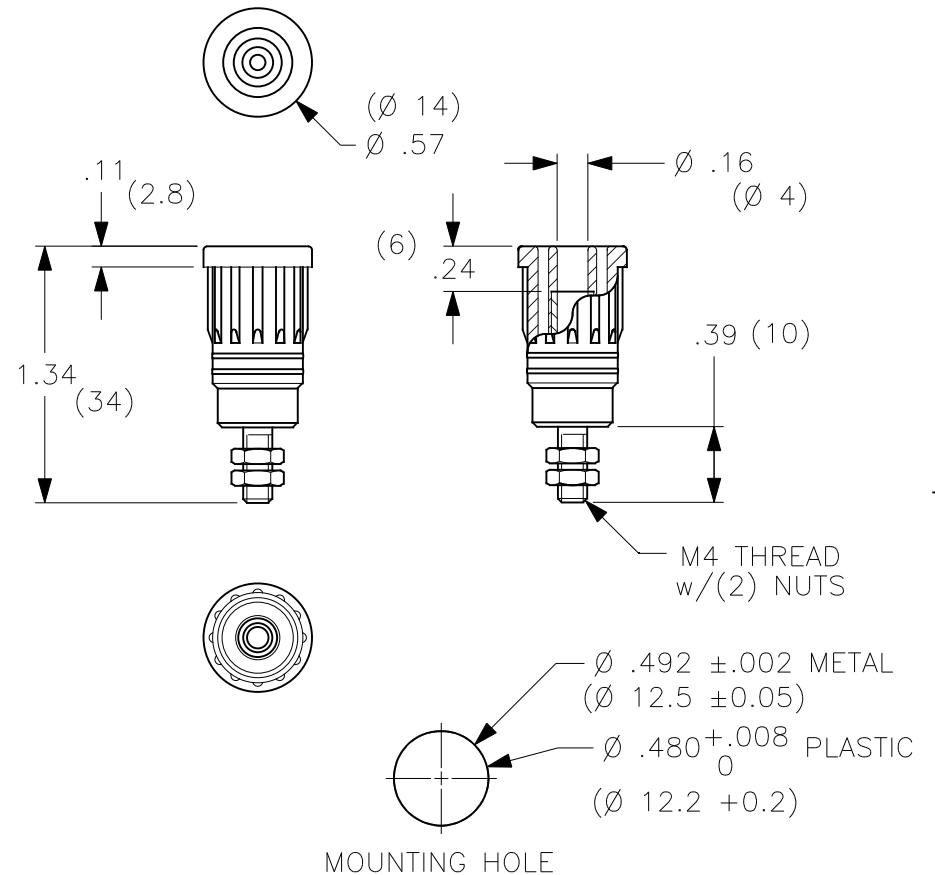


THIS IS ISSUED IN STRICT CONFIDENCE THAT IT IS NOT USED AS A BASIS FOR MANUFACTURE OR SALE AND THAT IT IS NOT COPIED, REPRINTED OR DISCLOSED TO A THIRD PARTY EITHER WHOLLY OR IN PART WITHOUT THE PRIOR WRITTEN CONSENT OF CAL TEST ELECTRONICS, INC.

1. PUSH-IN, 4mm SAFETY BANANA JACK w/M4 THREADED STUD, 2 NUTS.
2. SPECIFICATIONS:  
INSULATOR: POLYAMIDE (NYLON).  
CONTACT: BRASS, NICKEL PLATED.
3. RATING:  
VOLTAGE: 1,000 V CAT III/600 V CAT IV P2 (IEC61010-031)  
CURRENT: 36 A MAX.  
RESISTANCE: <5 mΩ.  
TEMPERATURE: -20° C TO +80° C.
4. MOUNTING HOLE: REF. DIAGRAM.
5. SUGGESTED PANEL THICKNESS FOR PRESS-FIT SUPPORT:  
PLASTIC: >0.08" (2).  
METAL: >0.06" (1.5).

REVISIONS			
REV.	DESCRIPTIONS	DATE	APPROVED
-	CLASS A RELEASED	7/12/99	
A	BODY CONFIGURATION CHANGE; DIM. 1.10 WAS 1.07; ADDED NOTE 5.	3/1/05	

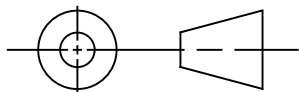


**PART NUMBER**

**CT2243-#**

- COLOR:
- 0 - BLACK
  - 1 - BROWN
  - 2 - RED
  - 3 - ORANGE (SPECIAL)
  - 4 - YELLOW
  - 5 - GREEN
  - 6 - BLUE
  - 7 - PURPLE
  - 8 - GRAY
  - 9 - WHITE

THIRD ANGLE PROJECTION



UNLESS OTHERWISE SPECIFIED  
DIMENSIONS ARE IN INCHES  
TOLERANCES ARE:  
FRACTIONS DECIMALS  
 $\pm 1/32$  .XX  $\pm .02$   
                  .XXX  $\pm .005$   
DO NOT SCALE DRAWING

CONTRACT NO.

APPROVALS

DRAWN WDH  
CHECKED

ENGR.

DESIGN ACTIVITY

DATE

7/12/99

**Cal Test Electronics**

22820 Savi Ranch Parkway  
Yorba Linda, CA 92887-4610

TITLE

**4mm PUSH-IN SAFETY JACK,  
w/M4 STUD**

SIZE  
**A**

CAGE CODE  
**43F45**

DWG. NO.

**P224300**

REV.  
A

SCALE 1:1

SHEET 1 OF 1

NEXT ASSY

USED ON

APPLICATION