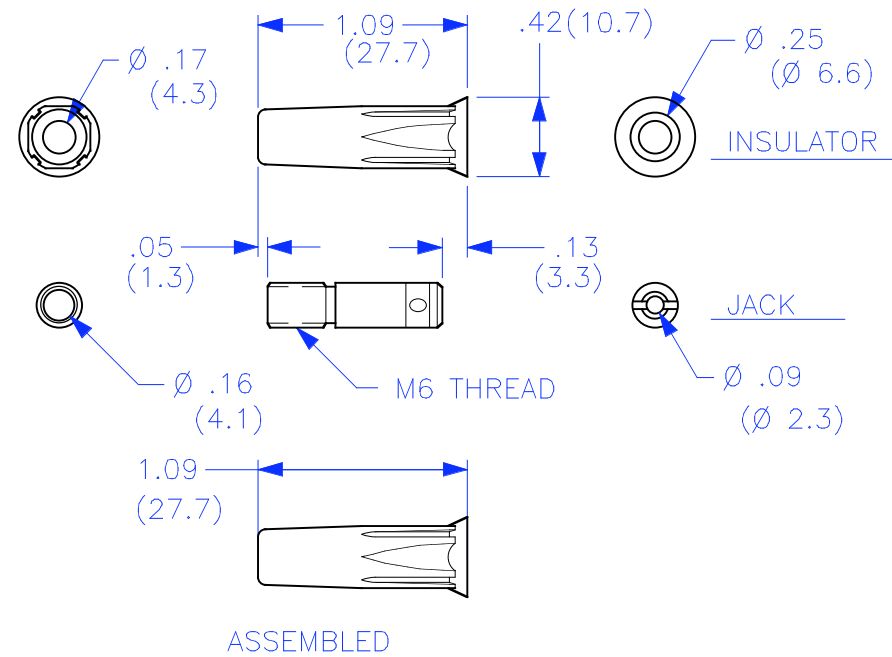


THIS IS ISSUED IN STRICT CONFIDENCE THAT IT IS NOT USED AS A BASIS FOR MANUFACTURE OR SALE AND THAT IT IS NOT COPIED, REPRINTED OR DISCLOSED TO A THIRD PARTY EITHER WHOLLY OR IN PART WITHOUT THE PRIOR WRITTEN CONSENT OF CAL TEST ELECTRONICS, INC.

REVISIONS			
REV.	DESCRIPTIONS	DATE	APPROVED
—	CLASS A RELEASED	7/11/99	

- DO-IT-YOURSELF (DIY) 4mm IN-LINE JACK, SOLDER ATTACHMENT.
- SPECIFICATIONS:  
INSULATOR BODY: POLYAMIDE (NYLON)  
JACK BODY: BRASS, NICKEL PLATED
- RATING:  
VOLTAGE: 1,200V AC/DC  
CURRENT: 36A MAX.  
TEMPERATURE: -20° C TO +80° C.
- MAXIMUM WIRE SIZES:  
CONDUCTOR:  $\varnothing$ .090 (12AWG)  
STRIP LENGTH: .25 (6.4)



**PART NUMBER**

**CT2213-#**

- COLOR:
- 0 - BLACK
  - 2 - RED
  - 4 - YELLOW
  - 5 - GREEN
  - 6 - BLUE
  - 9 - WHITE

THIRD ANGLE PROJECTION		UNLESS OTHERWISE SPECIFIED DIMENSIONS ARE IN INCHES TOLERANCES ARE: FRACTIONS DECIMALS $\pm 1/32$ .XX $\pm .02$ .XXX $\pm .005$ DO NOT SCALE DRAWING	CONTRACT NO.		<b>Cal Test Electronics</b> 22820 Savi Ranch Parkway Yorba Linda, CA 92887-4610	
			APPROVALS	DATE	TITLE	
MATERIAL		DRAWN	WDH	DIY 4mm JACK, SOLDER		
FINISH		CHECKED		SIZE	CAGE CODE	DWG. NO.
NEXT ASSY		ENGR.		A	43F45	P221300
USED ON		DESIGN ACTIVITY		SCALE	1:1	REV.
APPLICATION						—
						SHEET 1 OF 1