

## SUMMARY

### # Wires

Low	12
High	0
Coax	0
Triax	0
Quad	0
Fiber	0
Fluidic	0



*Image is for illustrative purpose only*

### Download

[Request a quote](#)

[Catalog](#)

Series	C
Termination type	Female print PCB
IP rating	50
Cable Ø	0.00 - 0.00 mm
Matching parts	CAB.M12.GLA.C72GZ
Status	active
Alternative part	

## TECHNICAL DETAILS

### Mechanics

Shell Style/Model	CK*: Fixed receptacle with two nuts (back panel mounting)
Keying	3 keys (alpha=0, gamma=60; Plug: male contacts; Receptacle: female contacts)
Housing Material	PSU (Polysulfone), gray
Cable Fixing	∅ 0 - 0 mm
Variant	
Weight	6.25 g

### Performance

Configuration	2P.M12 : 8 Low V.
Insulator	
Rated Current	7 Amps

### Specifications

Test voltage (kV rms) Contact-contact:	1.25
Air clearance min. (mm) or Creepage distance min. (mm):	0.85

*LEMO products and services are provided "as is". LEMO makes no warranties or representations with regard to LEMO product & services or use of them, express, implied or statutory, including for accuracy, completeness, or security. The user is fully responsible for his products and applications using LEMO components.*

## Others

F ret (min): 150 N

F ret (max): 250 N

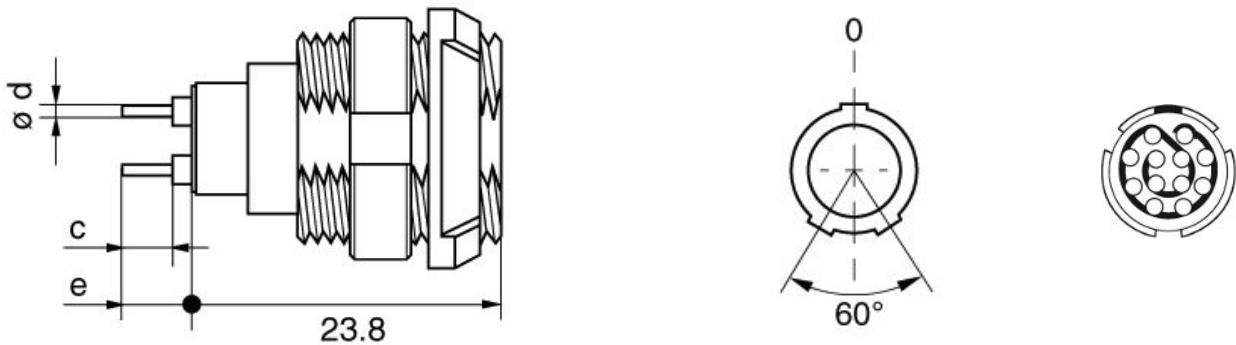
Steam sterilization: 20 times

IP Rating: 50

---

## DRAWINGS

### Draws



### Dimensions

	N	c	d	e
mm.	23.8	3.0-5.7	0.5-0.7	3.0-6.0
in.	0,94	0,12	0,02	0,12

---

## RECOMMENDED BY LEMO

### Tools

None

### Cables

*LEMO products and services are provided "as is". LEMO makes no warranties or representations with regard to LEMO product & services or use of them, express, implied or statutory, including for accuracy, completeness, or security. The user is fully responsible for his products and applications using LEMO components.*