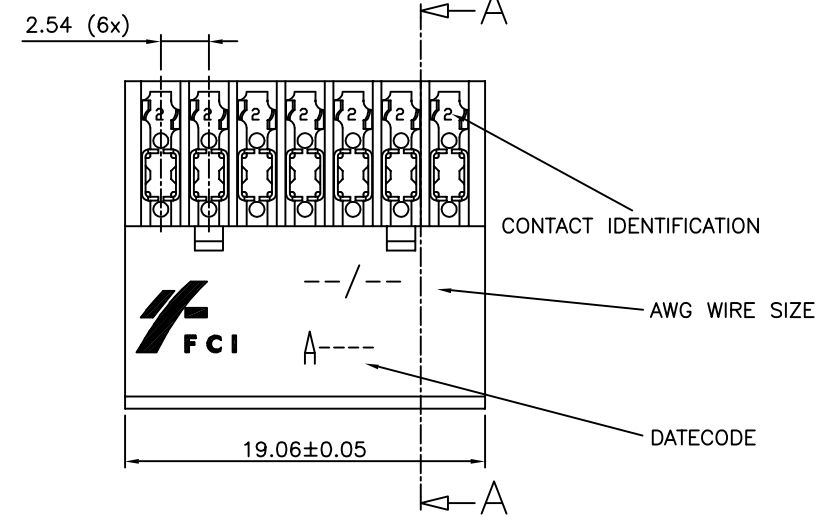
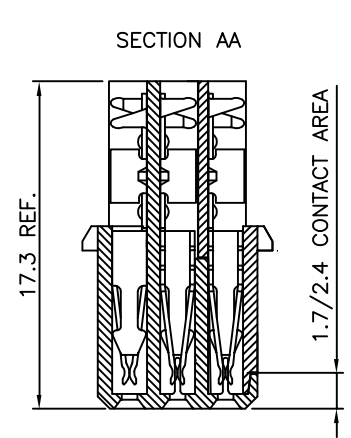




Copyright FCI

FCIconnect.com



PRODUCT NUMBER BPS8B21FLD-C0--LF

WITH "LF" SUFFIX LEAD FREE OR RoHS COMPATIBLE PRODUCT

| WIRE ACCOMODATION |           |                        | CONTACT PLATING |                                |
|-------------------|-----------|------------------------|-----------------|--------------------------------|
| PRODUCT NUMBER    | WIRE SIZE | CONTACT IDENTIFICATION | PLATING CODE    | PERFORMANCE LEVEL PER DIN41612 |
| BPS8B21FLD0C0--LF | AWG28/30  | 0                      | Z0              | CLASS 3                        |
| BPS8B21FLD2C0--LF | AWG24/26  | 2                      | Z1              | CLASS 2                        |
|                   |           |                        | E9              | CLASS 1                        |

**NOTES:-**

1. THE "LF" PRODUCTS MEET EUROPEAN UNION DIRECTIVES AND OTHER COUNTRY REGULATIONS AS DESCRIBED IN GS-22-008
2. LEAD FREE OR RoHS DIRECTIVE LABELING TO BE PROVIDED AS PER GS-14-920 FOR RoHS COMPATIBLE VERSION.

**PERFORMANCES CHARACTERISTICS**

VOLTAGE RATING : 250 VAC (rms)

CURRENT RATING : 1,5 A AT 25 °C, 1 A AT 70 °C.

INSULATION RESISTANCE : 1000MΩINITIAL, 100MΩMIN. AFTER TEST

DIELECTRIC WITH-

STANDING VOLTAGE : 1000 VAC (rms).

CONTACT RESISTANCE : 15mΩMAX. INITIAL, 5mΩMAX. RISE OF INITIAL VALUE AFTER TEST.

OPERATING TEMPERATURE\*: -40 °C TO +125 °C.

INSERTION FORCE : 1 N MAX./CONTACT.

WITHDRAWAL FORCE : 0,2 N MIN./CONTACT.

\*DEPENDING ON THE CABLE, THE MAX. TEMPERATURE CAN BE LOWER. FOR STANDARD PVC INSULATED CABLE : 105 °C MAX.

**CONSTRUCTION**

BODY MATERIAL : GLASS-REINFORCED THERMOPLASTIC (UL94V-0).

COVER MATERIAL : POLYESTER (PBTP), COLOUR : BLACK.

CONTACT MATERIAL : PHOSPHOR BRONZE.

CONTACT FINISH : Au OVER Ni IN CONTACT AREA  
Sn (MATT TIN) ON I.D.C. TERMINAL

Z0 : PERFORMANCE LEVEL PER DIN41612 CLASS 3  
Z1 : PERFORMANCE LEVEL PER DIN41612 CLASS 2  
E9 : PERFORMANCE LEVEL PER DIN41612 CLASS 1  
OTHERS : CONSULT FCI

TIE-WRAP : OPTIONAL PART N°. TF3.

**PART NUMBERS**

BPS8B21FLD0C0--LF CONNECTOR FOR WIRE SIZE AWG28, AWG30.  
(CONTACT IDENTIFICATION : 0).

BPS8B21FLD2C0--LF CONNECTOR FOR WIRE SIZE AWG24, AWG26  
(CONTACT IDENTIFICATION : 2).

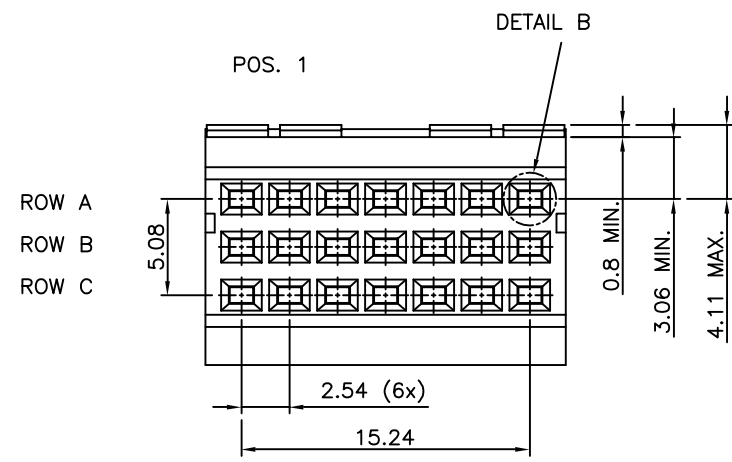
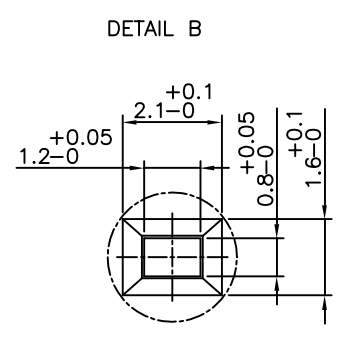
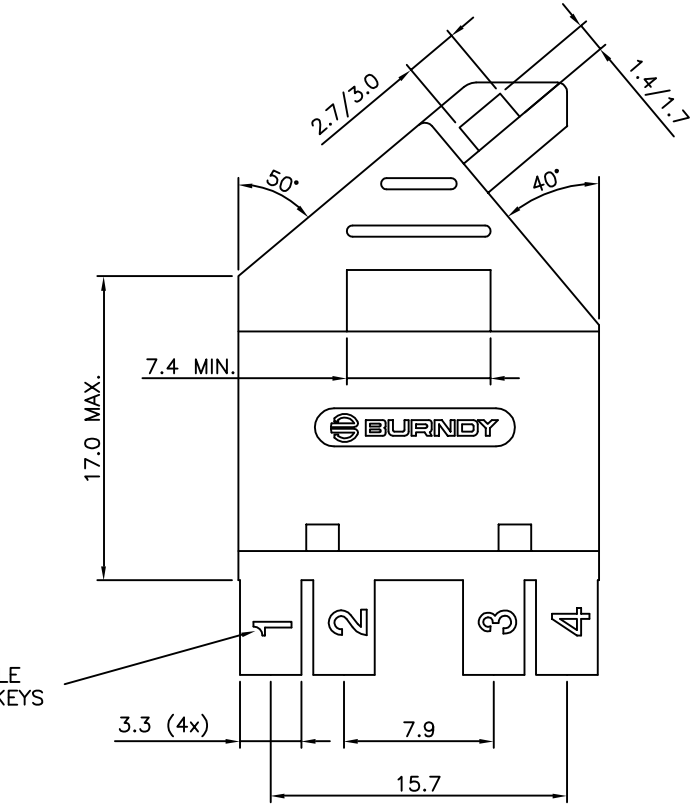
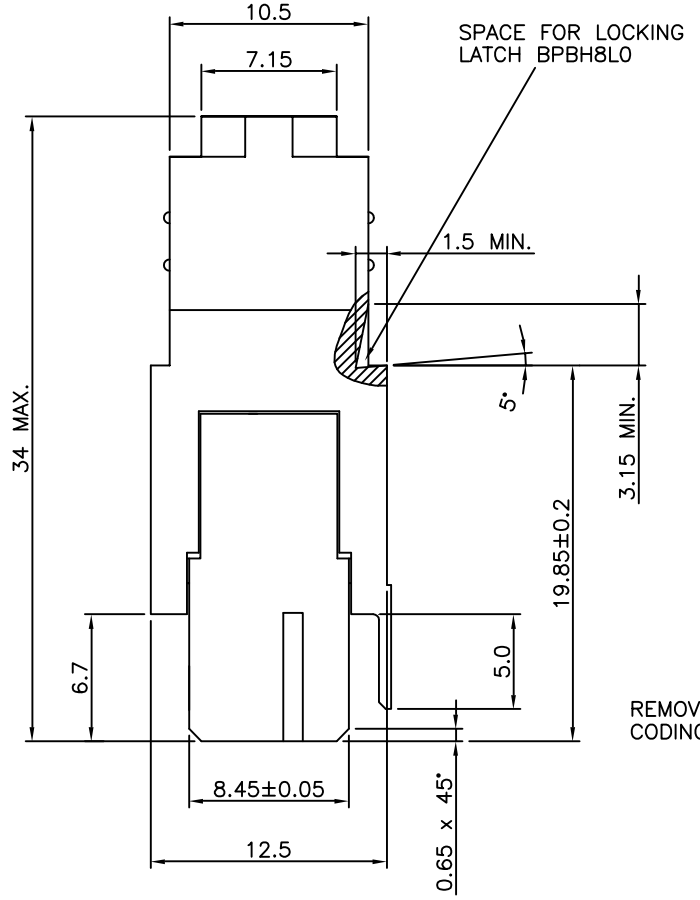
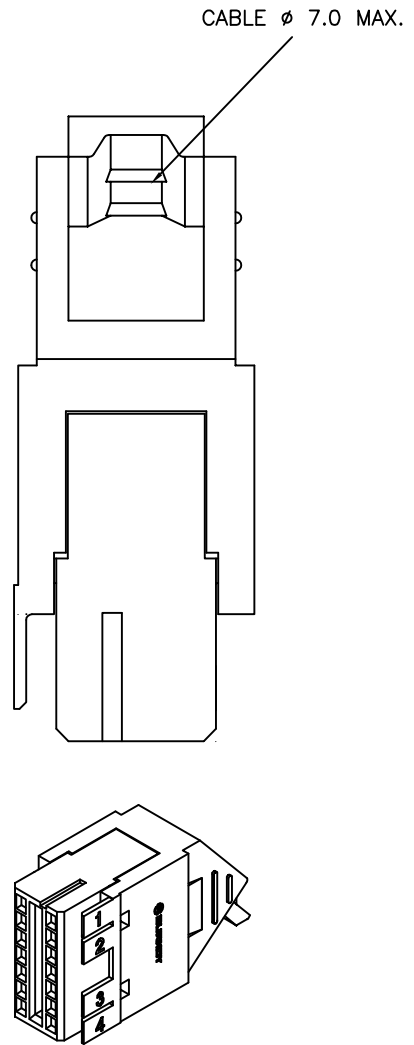
**AWG WIRE SIZE MARKING**

BPS8B21FLD0C0--LF : 28/30.

BPS8B21FLD2C0--LF : 24/26.

**DATECODE MARKING**

A + YEAR & WEEKCODE, EXAMPLE : A9950.



|             |  |            |  |                  |  |            |  |                          |  |
|-------------|--|------------|--|------------------|--|------------|--|--------------------------|--|
| mat'l. code |  | surface    |  | tolerance        |  | projection |  | product family           |  |
| SEE NOTE    |  | ISO 1302 ✓ |  | ISO 406 ISO 1101 |  |            |  | BPS8                     |  |
| ltr         |  | ecn no     |  | dr               |  | date       |  | title                    |  |
| A           |  | F00819     |  | DLE              |  | 2000-10-23 |  | ASSY BPS8                |  |
| B           |  | 105-0123   |  | MINI             |  | 2005-07-27 |  | 21 POS. A,B,C LOADED     |  |
| C           |  | 106-0067   |  | MINI             |  | 2006-06-01 |  |                          |  |
| D           |  | 107-0081   |  | KR               |  | 2007-06-28 |  |                          |  |
| sheet index |  | revision   |  | D                |  | D          |  | dwg no                   |  |
| sheet       |  | sheet      |  | 1                |  | 2          |  | 55355                    |  |
|             |  |            |  | 3                |  | 4          |  | sheet 1 of 3             |  |
|             |  |            |  | D                |  | D          |  | size                     |  |
|             |  |            |  | 3                |  | 4          |  | A3                       |  |
|             |  |            |  |                  |  |            |  | type                     |  |
|             |  |            |  |                  |  |            |  | Product Customer Drawing |  |

PRODUCT NUMBER BPS8B21FLD-00--LF

WITH "LF" SUFFIX LEAD FREE OR RoHS COMPATIBLE PRODUCT

**NOTES:-**  
 1. THE "LF" PRODUCTS MEET EUROPEAN UNION DIRECTIVES AND OTHER COUNTRY REGULATIONS AS DESCRIBED IN GS-22-008  
 2. LEAD FREE OR RoHS DIRECTIVE LABELING TO BE PROVIDED AS PER GS-14-920 FOR RoHS COMPATIBLE VERSION.

| WIRE ACCOMODATION |           |                        |
|-------------------|-----------|------------------------|
| PRODUCT NUMBER    | WIRE SIZE | CONTACT IDENTIFICATION |
| BPS8B21FLD000--LF | AWG28/30  | 0                      |
| BPS8B21FLD200--LF | AWG24/26  | 2                      |

| CONTACT PLATING |                                |
|-----------------|--------------------------------|
| PLATING CODE    | PERFORMANCE LEVEL PER DIN41612 |
| Z0              | CLASS 3                        |
| Z1              | CLASS 2                        |
| E9              | CLASS 1                        |

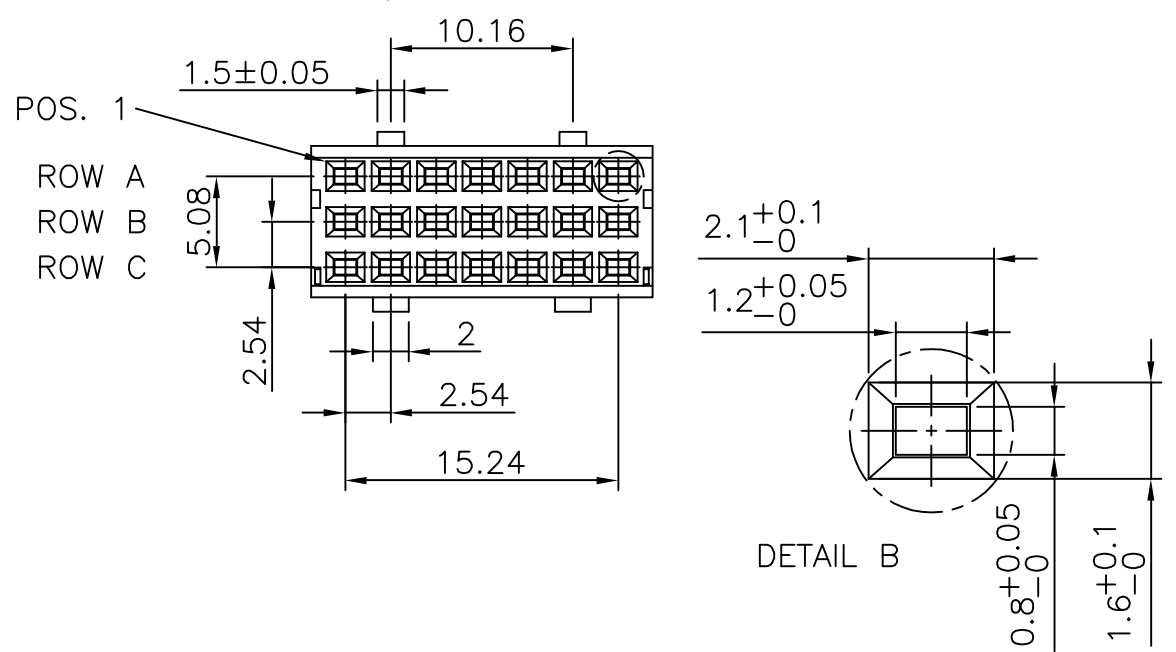
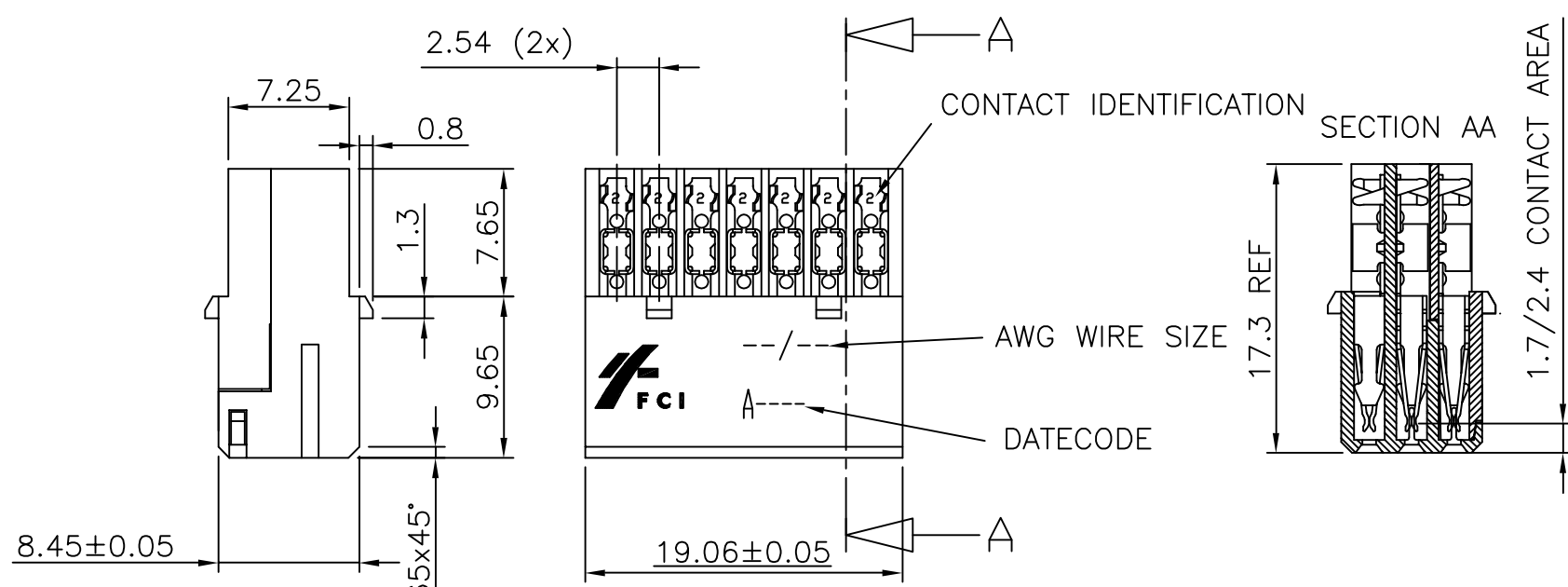
**PERFORMANCES CHARACTERISTICS**  
 VOLTAGE RATING : 250 VAC (rms)  
 CURRENT RATING : 1,5 A AT 25 °C, 1 A AT 70 °C.  
 INSULATION RESISTANCE : 1000MΩINITIAL, 100MΩMIN. AFTER TEST  
 DIELECTRIC WITH-  
 STANDING VOLTAGE : 1000 VAC (rms).  
 CONTACT RESISTANCE : 15 mΩMAX. INITIAL, 5mΩMAX. RISE OF INITIAL VALUE AFTER TEST.  
 OPERATING TEMPERATURE\*: -40 °C TO +125 °C.  
 INSERTION FORCE : 1 N MAX./CONTACT.  
 WITHDRAWAL FORCE : 0,2 N MIN./CONTACT.  
 \*DEPENDING ON THE CABLE, THE MAX. TEMPERATURE CAN BE LOWER. FOR STANDARD PVC INSULATED CABLE : 105 °C MAX.

**CONSTRUCTION**  
 BODY MATERIAL : GLASS-REINFORCED THERMOPLASTIC (UL94V-0).  
 CONTACT MATERIAL : PHOSPHOR BRONZE.  
 CONTACT FINISH : Au OVER Ni IN CONTACT AREA  
 Sn (MATT TIN) ON I.D.C. TERMINAL  
 Z0 : PERFORMANCE LEVEL PER DIN41612 CLASS 3  
 Z1 : PERFORMANCE LEVEL PER DIN41612 CLASS 2  
 E9 : PERFORMANCE LEVEL PER DIN41612 CLASS 1  
 OTHERS : CONSULT FCI

**PART NUMBERS**  
 BPS8B21FLD000--LF CONNECTOR FOR WIRE SIZE AWG28, AWG30. (CONTACT IDENTIFICATION : 0).  
 BPS8B21FLD200--LF CONNECTOR FOR WIRE SIZE AWG24, AWG26 (CONTACT IDENTIFICATION : 2).

**AWG WIRE SIZE MARKING**  
 BPS8B21FLD000--LF : 28/30  
 BPS8B21FLD200--LF : 24/26

**DATECODE MARKING**  
 A + YEAR & WEEKCODE, EXAMPLE : A9950.

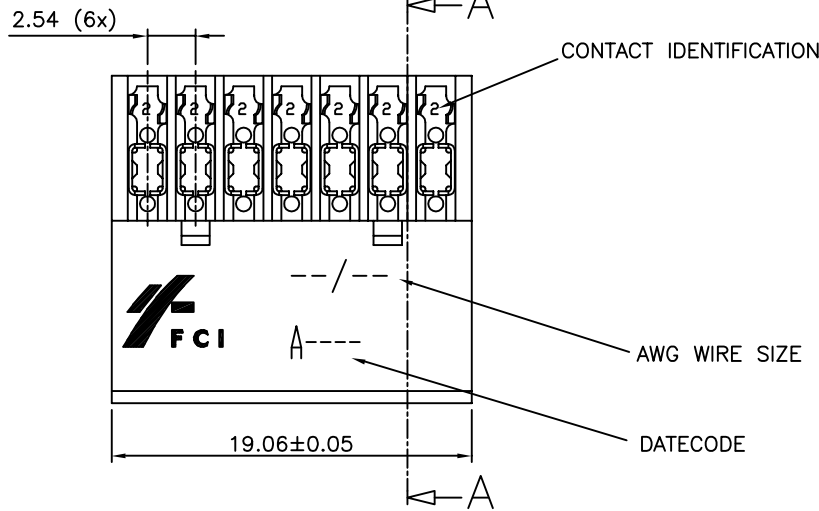
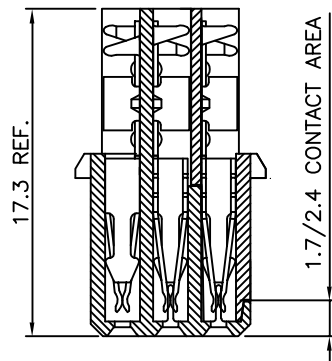


|                                       |          |                |            |                  |  |               |  |                               |  |
|---------------------------------------|----------|----------------|------------|------------------|--|---------------|--|-------------------------------|--|
| mat'l. code                           |          | surface        |            | tolerance        |  | projection    |  | product family                |  |
| SEE NOTE                              |          | ISO 1302 ✓     |            | ISO 406 ISO 1101 |  | mm            |  | BPS8                          |  |
| tolerances unless otherwise specified |          | angles         |            | linear           |  | scale -       |  | title                         |  |
| A                                     | F00819   | DLE            | 2000-10-19 | 0.1±0.2          |  |               |  | ASSY BPS8                     |  |
| B                                     | I05-0123 | MINI           | 2005-07-27 | 0.01±0.1         |  |               |  | 21 POS. A,B,C LOADED          |  |
| C                                     | I06-0067 | MINI           | 2006-06-01 | ±1°              |  |               |  | dwg no                        |  |
| D                                     | I07-0081 | KR             | 2007-06-28 | dr               |  | D.LEGRAND     |  | 2000-10-19                    |  |
|                                       |          |                |            | enr              |  | J.F.NOTTEAU   |  | 2000-10-19                    |  |
|                                       |          |                |            | chr              |  | RAKHEE GEORGE |  | 2007-06-28                    |  |
|                                       |          |                |            | appd             |  | RAKHEE GEORGE |  | 2007-06-28                    |  |
| sheet index                           |          | revision sheet |            |                  |  |               |  | sheet 2 of 3                  |  |
|                                       |          |                |            |                  |  |               |  | 55355                         |  |
|                                       |          |                |            |                  |  |               |  | A3                            |  |
|                                       |          |                |            |                  |  |               |  | type Product Customer Drawing |  |



Copyright FCI

SECTION AA



**NOTES:-**  
 1. THE "LF" PRODUCTS MEET EUROPEAN UNION DIRECTIVES AND OTHER COUNTRY REGULATIONS AS DESCRIBED IN GS-22-008  
 2. LEAD FREE OR RoHS DIRECTIVE LABELING TO BE PROVIDED AS PER GS-14-920 FOR RoHS COMPATIBLE VERSION.

PRODUCT NUMBER BPS8B21FLD-M0--LF WITH "LF" SUFFIX LEAD FREE OR RoHS COMPATIBLE PRODUCT

| WIRE ACCOMODATION |           |                        |
|-------------------|-----------|------------------------|
| PRODUCT NUMBER    | WIRE SIZE | CONTACT IDENTIFICATION |
| BPS8B21FLD0M0--LF | AWG28/30  | 0                      |
| BPS8B21FLD2M0--LF | AWG24/26  | 2                      |

| CONTACT PLATING |                                |
|-----------------|--------------------------------|
| PLATING CODE    | PERFORMANCE LEVEL PER DIN41612 |
| Z0              | CLASS 3                        |
| Z1              | CLASS 2                        |
| E9              | CLASS 1                        |

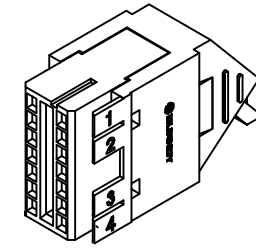
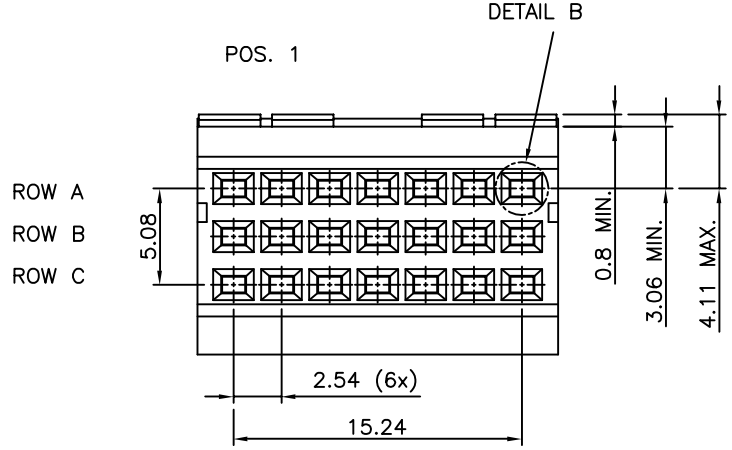
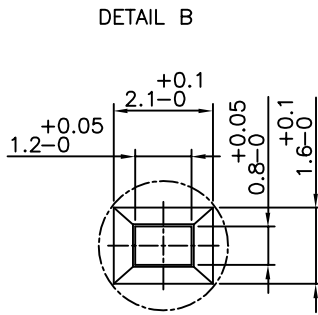
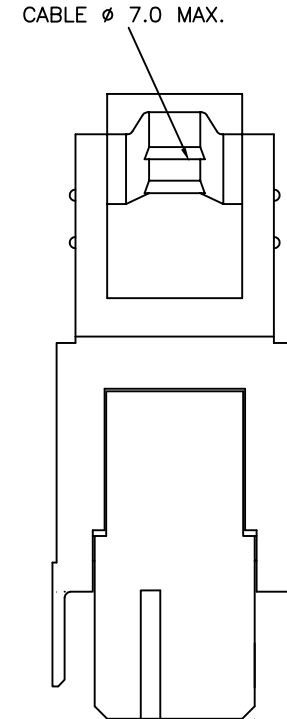
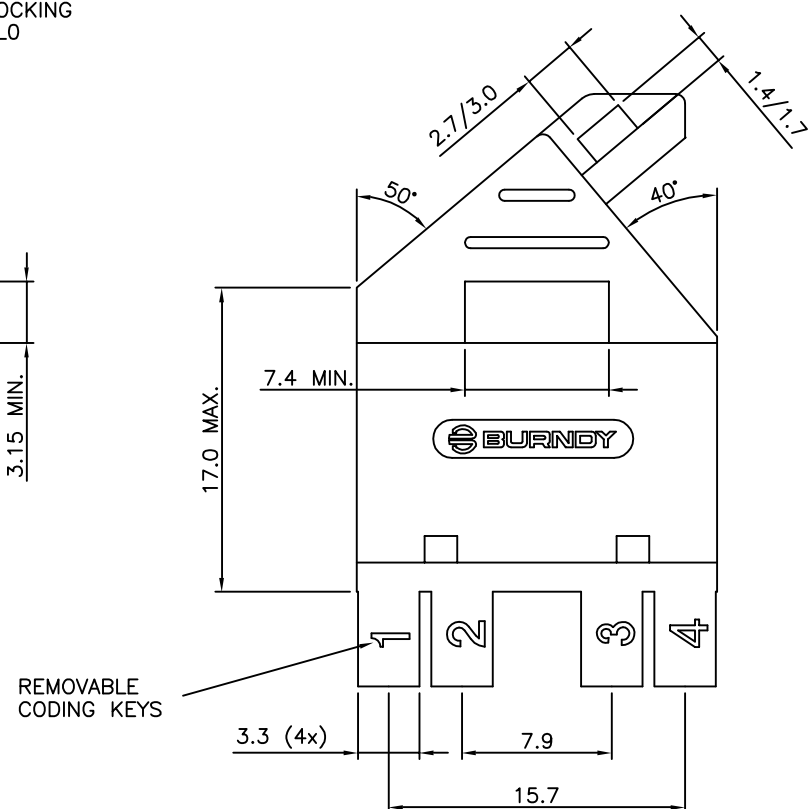
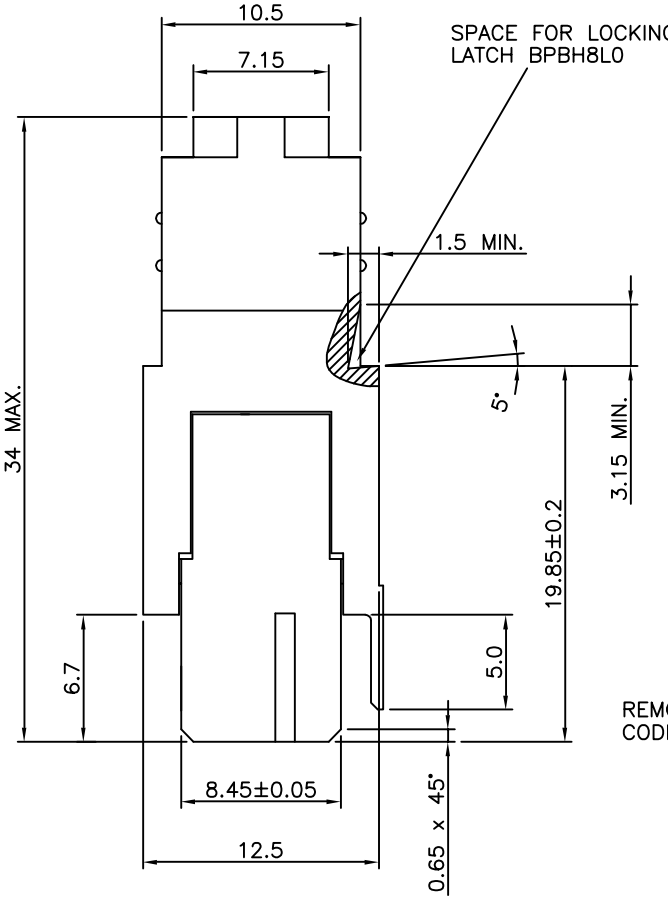
**PERFORMANCES CHARACTERISTICS**  
 VOLTAGE RATING : 250 VAC (rms)  
 CURRENT RATING : 1,5 A AT 25 °C, 1 A AT 70 °C.  
 INSULATION RESISTANCE : 1000MΩINITIAL, 100MΩMIN. AFTER TEST  
 DIELECTRIC WITHSTANDING VOLTAGE : 1000 VAC (rms).  
 CONTACT RESISTANCE : 15mΩMAX. INITIAL, 5mΩMAX. RISE OF INITIAL VALUE AFTER TEST.  
 OPERATING TEMPERATURE\*: -40 °C TO +125 °C.  
 INSERTION FORCE : 1 N MAX./CONTACT.  
 WITHDRAWAL FORCE : 0,2 N MIN./CONTACT.

\*DEPENDING ON THE CABLE, THE MAX. TEMPERATURE CAN BE LOWER.  
 FOR STANDARD PVC INSULATED CABLE : 105 °C MAX.

**CONSTRUCTION**  
 BODY MATERIAL : GLASS-REINFORCED THERMOPLASTIC (UL94V-0).  
 COVER MATERIAL : Ni PLATED ABS MATERIAL  
 CONTACT MATERIAL : PHOSPHOR BRONZE.  
 CONTACT FINISH : Au OVER Ni IN CONTACT AREA  
 Sn (MATT TIN) ON I.D.C. TERMINAL  
 Z0 : PERFORMANCE LEVEL PER DIN41612 CLASS 3  
 Z1 : PERFORMANCE LEVEL PER DIN41612 CLASS 2  
 E9 : PERFORMANCE LEVEL PER DIN41612 CLASS 1  
 OTHERS : CONSULT FCI  
 TIE-WRAP : OPTIONAL (PART N°. TF3)

**PART NUMBERS**  
 BPS8B21FLD0M0--LF CONNECTOR FOR WIRE SIZE AWG28, AWG30. (CONTACT IDENTIFICATION : 0).  
 BPS8B21FLD2M0--LF CONNECTOR FOR WIRE SIZE AWG24, AWG26 (CONTACT IDENTIFICATION : 2).

**AWG WIRE SIZE MARKING**  
 BPS8B21FLD0M0--LF : 28/30.  
 BPS8B21FLD2M0--LF : 24/26.  
**DATECODE MARKING**  
 A + YEAR & WEEKCODE, EXAMPLE : A9950.



|                                       |  |                               |  |                             |  |                              |  |                               |  |
|---------------------------------------|--|-------------------------------|--|-----------------------------|--|------------------------------|--|-------------------------------|--|
| mat'l. code                           |  | surface                       |  | tolerance                   |  | projection                   |  | product family                |  |
| SEE NOTE                              |  | ISO 1302 ✓                    |  | ISO 406 ISO 1101            |  | mm                           |  | BPS8                          |  |
| tolerances unless otherwise specified |  | angles                        |  | linear                      |  | scale -                      |  | title                         |  |
| A F00819 DLE 2000-10-23               |  | 0.1±0.2                       |  | 0.01±0.1                    |  |                              |  | ASSY BPS8                     |  |
| B I05-0123 MINI 2005-07-27            |  |                               |  |                             |  |                              |  | 21 POS. A,B,C LOADED          |  |
| C I06-0067 MINI 2006-06-01            |  | ±1°                           |  |                             |  |                              |  | dwg no                        |  |
| D I07-0081 KR 2007-06-28              |  | dr D.LEGRAND 2000-10-23       |  | engr J.F.NOTTEAU 2000-10-23 |  | chr RAKHEE GEORGE 2007-06-28 |  | sheet 3 of 3 size             |  |
|                                       |  | appd RAKHEE GEORGE 2007-06-28 |  |                             |  |                              |  | 55355 A3                      |  |
| sheet index                           |  | revision sheet                |  |                             |  |                              |  | type Product Customer Drawing |  |



Copyright FCI