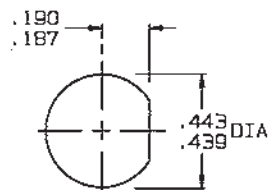
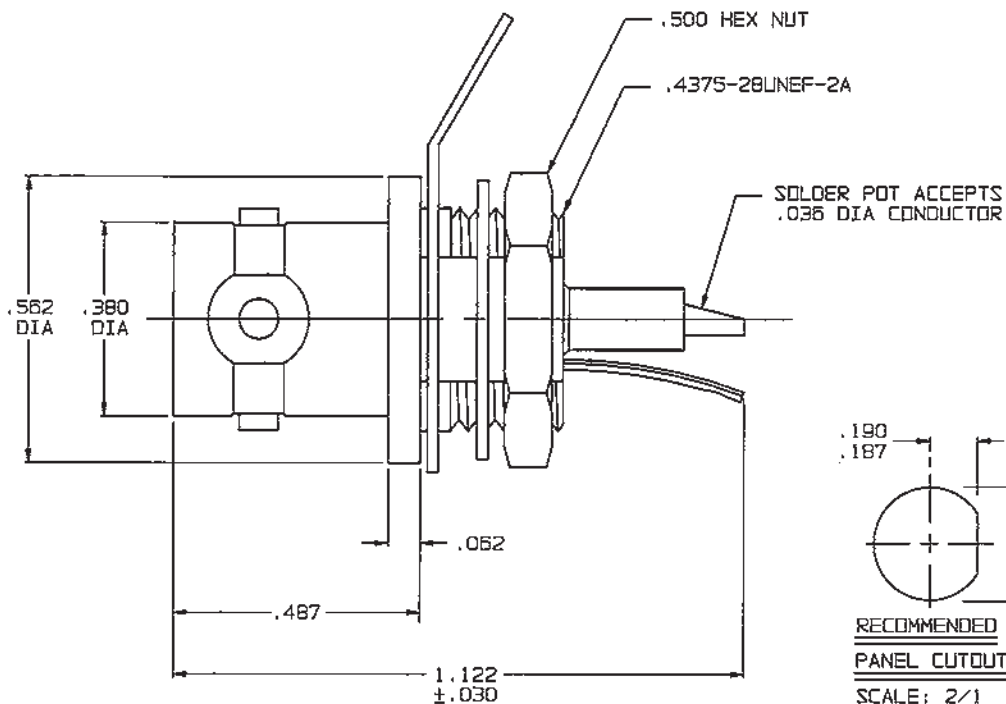
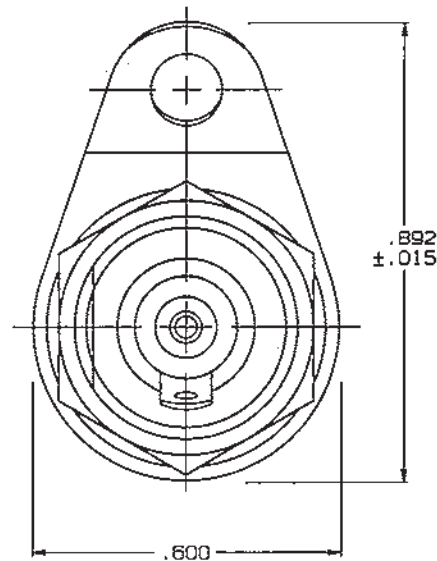


RED INDICATES ORIGINAL

DISK # N	DWG SIZE B	DATA CONTAINED IN THIS DOCUMENT IS PROPRIETARY TO TROMPETER ELECTRONICS INC. AND SHALL NOT BE DISCLOSED, COPIED OR USED FOR PROCUREMENT OR MANUFACTURE WITHOUT EXPRESS WRITTEN PERMISSION.	REVISIONS			3-0094	SH 1
			REV H	EO 10220	DESCRIPTION .892 WAS .940 & UPDATED	DWN AAH	APPROVED <i>Bm; KJ</i>



RECOMMENDED
PANEL CUTOUT
SCALE: 2/1



INCH	MM
.005	0.13
.015	0.38
.030	0.76
.036	0.91
.062	1.57
.125	3.18
.187	4.75
.190	4.83
.380	9.65
.439	11.15
.443	11.25
.487	12.37
.500	12.70
.562	14.27
.600	15.24
.892	22.66
1.122	28.50

4. MAX PANEL THK .125
3. SOCKET CONTACT CONCENTRIC TWINAX/
TRIAx 4-LUG TR8 SOLDER POT
BULKHEAD MOUNT RECEPTACLE
2. FINISH: TFS-1A (NICKEL)
1. ALL DIM ARE IN INCHES

QTY	DESCRIPTION		PART NUMBER	ITEM		
TOL UNLESS SPECIFIED .XX ± .XXX ± .005 .XXXX ± ANGLES ±				BJ77FL		
DWN	AAH				4-27-93	MATERIAL
CHK	<i>Bm</i>	4-27-93		14949	3-0094	H
ENGR						
NEXT ASSY	APPR	<i>KJ</i>	4/29/93	SCALE 4/1	DATE 1/24/83	SHEET 1 OF 2