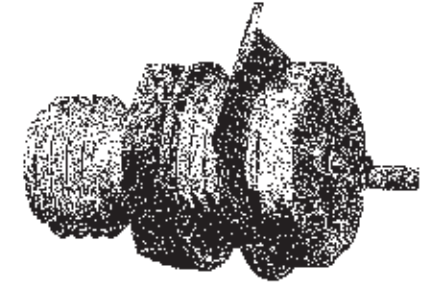
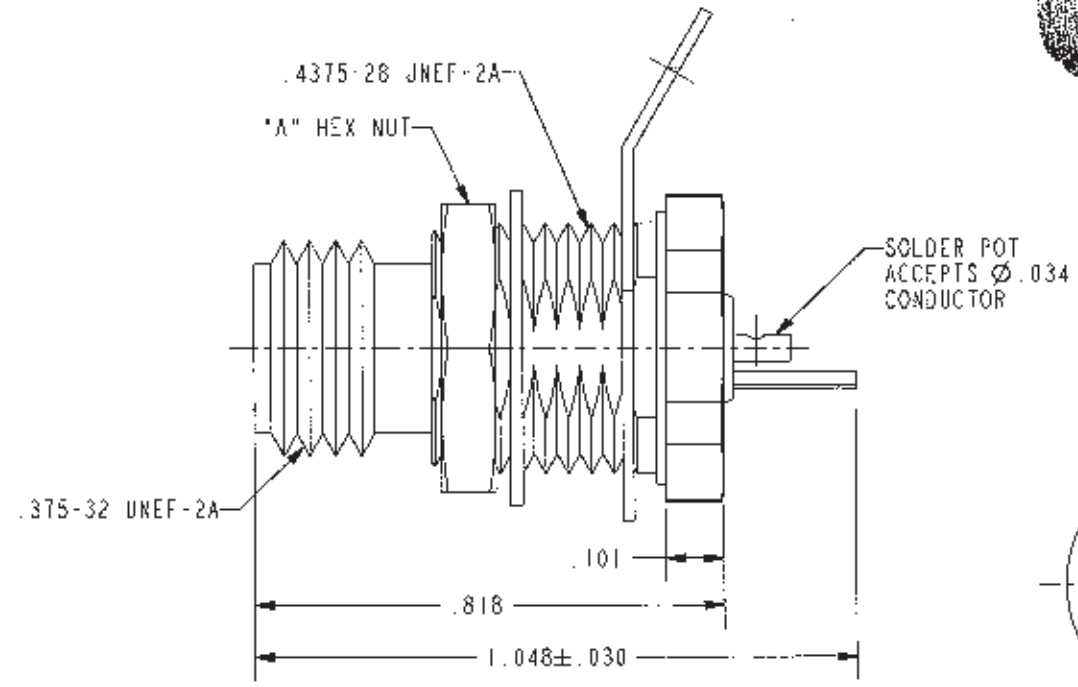
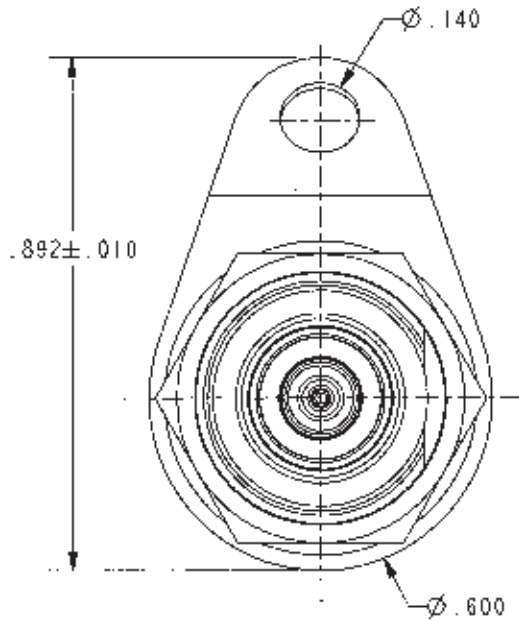


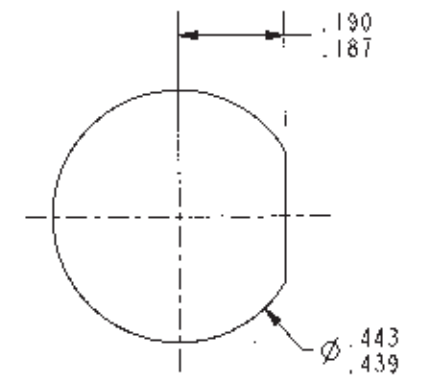
MODEL NO	"A" HEX NUT
BJ3150	.500
BJ3150S	.562

DATA CONTAINED IN THIS DOCUMENT IS PROPRIETARY TO TROMPETER ELECTRONICS INC. AND SHALL NOT BE DISCLOSED, COPIED OR USED FOR PROMOTION OR MANUFACTURE WITHOUT EXPRESS WRITTEN PERMISSION.

REVISIONS			
REV	DESCRIPTIONS	DATE	APPROVED
H	REVISED PER ECO # 16693		



SCALE 2/1




RECOMMENDED PANEL CUTOUT SCALE 3/1

RED INDICATES ORIGINAL

4. IF SAFETY WIRE TYPE REQUIRED, ADD SUFFIX "S" TO MODEL NUMBER
3. MAXIMUM PANEL THICKNESS .250
2. FINISH: TFS-1A (NICKEL)
1. SUBMINIATURE TW MAX/TRIAX THREADED REAR MOUNT SOLDER POT BULKHEAD RECEPTACLE

NOTES: UNLESS OTHERWISE SPECIFIED.

INTERPRET DRAWINGS PER MIL-STD-100. DIMENSIONS ARE IN INCHES AND INCLUDE FINISH THICKNESS UNLESS OTHERWISE SPECIFIED.		TOL: UNLESS SPECIFIED. .XX ± .02 .XXX ± .010 ANGLE ± 1°		 a cinch connectivity solutions brand		
DRW J. CARPENTER	07-08-08	MATERIAL	TITLE: BJ3150/BJ3150S			
CHK M.J.	9-16-09	FINISH:	SIZE A	CAGE CODE 14949	DRWING NO. 3-0084	REV. H
APP'D <i>[Signature]</i>	9/21/09	PROJ. TITLE NO. 3-0084	SCALE 3/1	DATE 9-8-82	SHEET 1C	

NEXT ASSY