

1

2

3

4

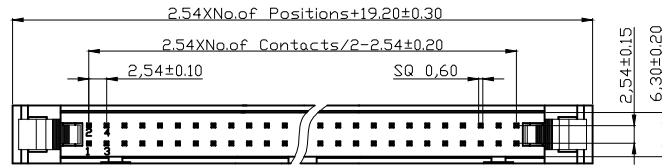
5

6

7

A

A



B

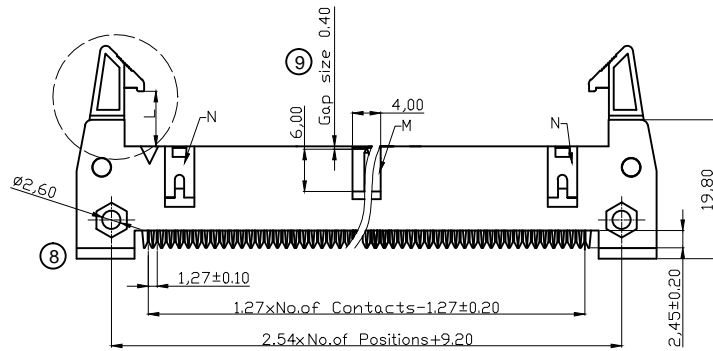
B

C

C

D

D



E

E

F

F

NOTES:

MATERIAL

1. Insulator Material: PBT+30%G.F.(UL94V-0), Grey
2. Contact Material : Brass
3. Contact Plating : 1u" Au selective Over Ni

ELECTRICAL

1. Current Rating : 3.0 AMP
2. Withstand Voltage : 1000V AC/minute
3. Contact Resistance : 20mΩ max
4. Insulation Resistance: 1000MΩ min

ENVIRONMENTAL

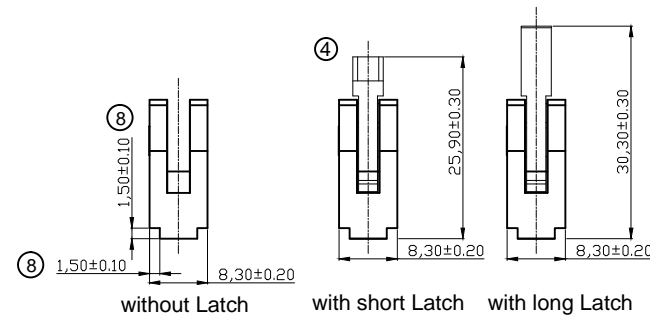
1. Operation Temperature: -40°C to +105°C
- ⑦ 2. Packing : Tube
3. 10P~18P with slot "M" without slot "N"
- 20P~64P with slot "M" and "N"

Ordering Information

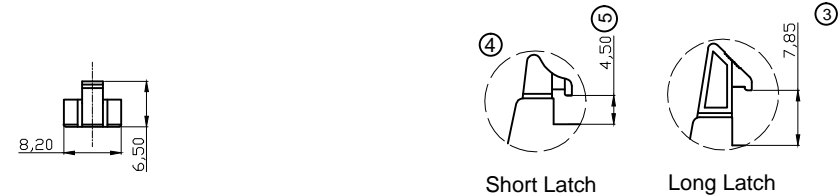
AWH xxG-02x2-IDC

No. of Contacts :
10,14,16,20,26,
30,34,40,50,60,64

Latch Type
0 -without latch
2 -with short latches
3 -with long latches



without Latch with short Latch with long Latch



Short Latch Long Latch

RoHS compliant
Unit: mm



Scale	Free	⑨	Add gap size 0.40mm	28.06.2018	Xavier		Date	Name	Customer-No.
TOLERANCE		⑧	Modify the shape of insulator	05.06.2017	Winnie	Drawn	25.01.2006	Alex	ASSMANN WSW-No. AWH xxG-02x2-IDC
X.X	±0.40	⑦	Change the packing tray into tube	21.09.2015	Winnie	Approved	28.06.2018	Winnie	
X.XX	±0.25	⑥	Add UL file no.	12.12.2013	Winnie				
X.XXX	±0.15	⑤	Uppdate	29.03.2013	Amy				Drawing-No.
ANGLE		④	Correct drawing of short latch	05.05.2010	Dean				ASS 2231 CO
DIM	TOL	Id.	Modification	Date	Name	Replace	Sheet	1/1	

1

2

3

4

5

6

7

H

H