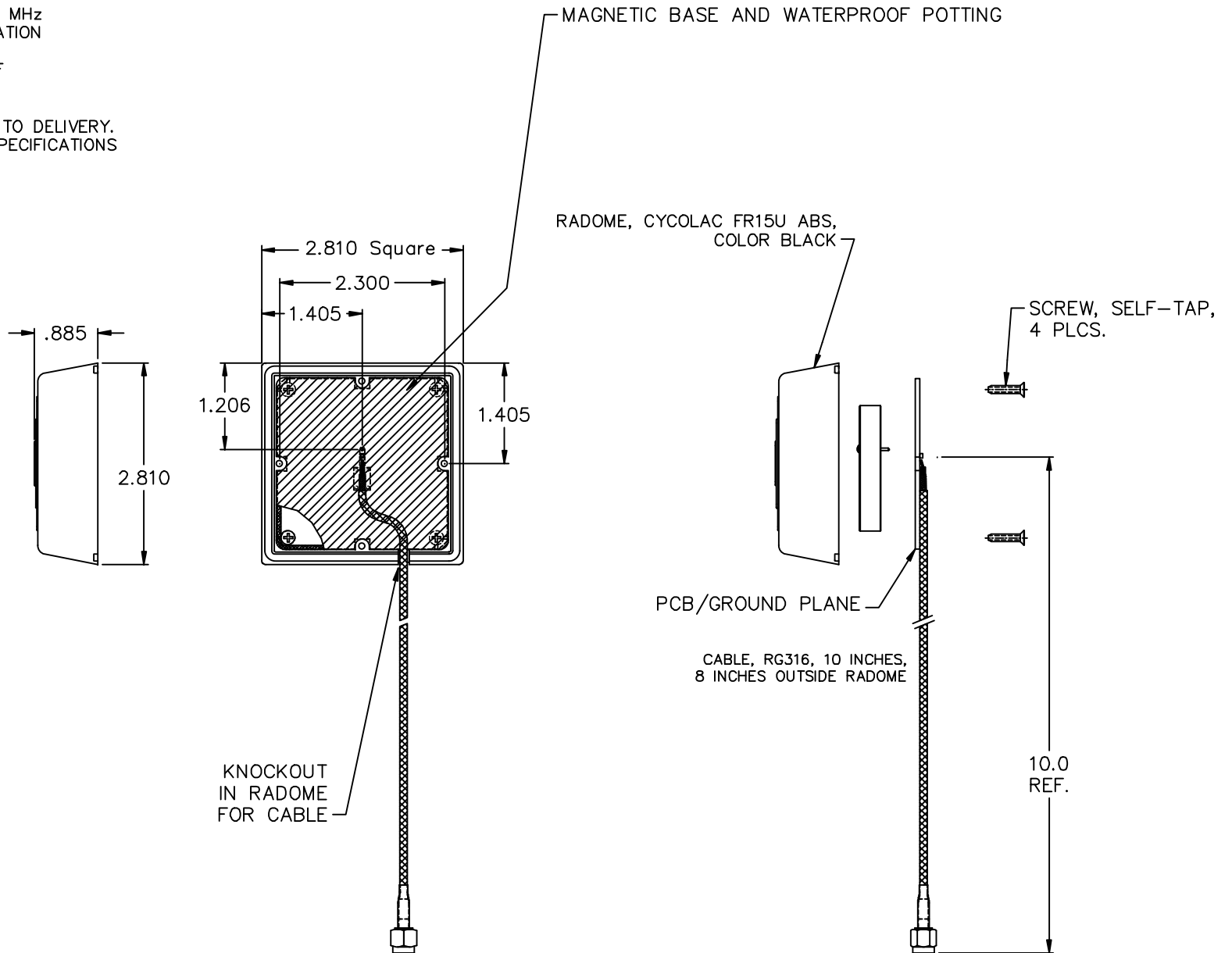


NOTES:

1. ELECTRICAL SPECIFICATIONS:

CENTER FREQUENCY = 1592±25 MHz
 RIGHT HAND CIRCULAR POLARIZATION
 3:1 VSWR B.W. = 175MHz MIN.
 GAIN SHALL BE 3dBic MIN. @ CF
 A/R SHALL BE 6dB MAX. @ CF
 Z_{IN} = 50 OHMS

2. 100% ELECTRICAL TEST PRIOR TO DELIVERY.
 3. FOOTPRINT AND ELECTRICAL SPECIFICATIONS ARE SUBJECT TO CHANGE.



										00	REV. NO.	UNLESS OTHERWISE SPECIFIED DIMENSIONS ARE IN INCHES. DO NOT SCALE. Ⓢ THIRD ANGLE	TOLERANCES UNLESS OTHERWISE SPECIFIED Fractions ± 1/64 Dec. .xx± .01 Dec. .xxx± .005 Angles ±0° 30'	 SPECTRUM CONTROL, INC.	FAIRVIEW PENNSYLVANIA	
										CHANGE NOTICE					Dwn. KAUFFMAN Date 5-25-10	Description ASSEMBLY DRAWING
										CN 54549-ENG					Engr. J. KRAUS Sheet 1 of 1	AR451592175CCAF
Quality Products From The Specialists In Electro-Magnetic Compatibility																