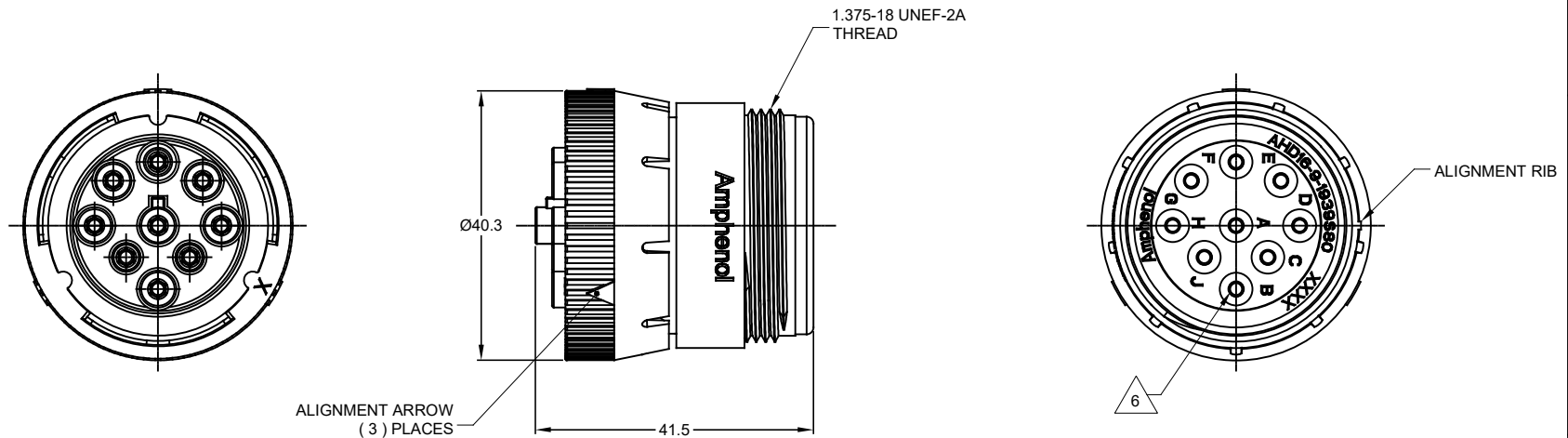
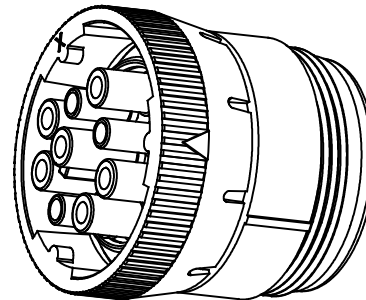


| REVISIONS | | | | | |
|-----------|--------|------------------------|---------|------|-------|
| REV | ECO | DESCRIPTION | DATE | BY | APPR |
| A2 | | RELEASE NEW DWG FORMAT | 04DEC13 | DRP | |
| A3 | C0754S | UPDATE DRAWING | 01NOV17 | JONY | TOMMY |



NOTES: UNLESS OTHERWISE SPECIFIED

- MATERIAL:
HOUSING: THERMOPLASTIC; COLOR: GREEN
SEAL: SILICONE RUBBER
- MODIFICATIONS: J1939 TYPE 2 KEY ARRANGEMENT;
OPTIONAL REDUCED DIA. WIRE SEAL
(SEE NOTE 6)
- SPECIFICATIONS:
3.1 CURRENT RATING: 13 AMPS
3.2 OPERATING TEMPERATURE: -55°C TO +125°C.
3.3 DIELECTRIC WITHSTANDING VOLTAGE: LESS THAN 2
MILLIAMPS CURRENT LEAKAGE @ 1500 VOLTS AC.
3.4 INSULATION RESISTANCE: 1000 MEGOHM MIN @ 25°C.
3.5 MOISTURE RESISTANCE: IP67 (MATED CONDITION).
3.6 MATING CYCLE DURABILITY: 100 CYCLES
3.7 RoHS COMPLIANT
- MATING PART: AHD10-9-1939P*
(* = AVAILABLE MODIFICATIONS)
- ALL DIMENSIONS ARE FOR REFERENCE USE ONLY.



6 CONTACT SIZE AND WIRE SEAL RANGE:

| PART NUMBER | SEAL TYPE | CONTACT SIZE | MIN. INSUL O.D. | MAX. INSUL O.D. | TYPICAL WIRE RANGE |
|-----------------|-----------|--------------|----------------------|----------------------|--------------------|
| AHD16-9-1939S80 | STANDARD | 16 | 2.54 mm (.100 in) | 3.81 mm (.150 in) | 14 - 20 AWG |
| AHD16-9-1939S8R | REDUCED | 16 | 1.35 mm (.053 in) | 3.05 mm (.120 in) | 14 - 20 AWG |

| | | | | | | |
|--|--|-------------|--|--|--------------|-------------------------|
| SEE NOTE 6 | | PART NUMBER | | DESCRIPTION | | ITEM |
| QUANTITY | | | | | | |
| MATERIALS LIST | | | | | | |
| UNLESS OTHERWISE SPECIFIED: 1) All dimensions are in metric (mm). 2) Tolerances are as follows: 1 PL DEC ±0.30 Fractions ±1/64 2 PL DEC ±0.15 Angles ±1° 3 PL DEC ±0.08 | | | | | | |
| SIGNATURES | | DATE | | Sine Systems - www.amphenol-sine.com 44724 Morley Drive Clinton Township, MI 48036 CONNECTOR, PLUG, J1939-13 TYPE 2, 9 POSITION, AHD SERIES | | |
| DRAWN: Jony | | NOV01/17 | | | | |
| CHECKED: Orion | | NOV01/17 | | | | |
| APPROVAL: Tommy | | NOV01/17 | | | | |
| MATERIAL SPECIFICATIONS: | | | | CUSTOMER: | | |
| PROCESS SPECIFICATIONS: | | | | THIS DRAWING IS SUPPLIED FOR INFORMATION ONLY. DESIGN FEATURES, SPECIFICATIONS AND PERFORMANCE DATA SHOWN HEREON ARE THE PROPERTY OF THE AMPHENOL CORPORATION. NO RIGHTS OF REPRODUCTION ARE IMPLIED. ALL DIMENSIONS ARE SUBJECT TO NORMAL MANUFACTURING VARIATIONS. | | |
| NEXT ASSY: | | | | SIZE: B | TYPE: C- | DWG NO: AHD16-9-1939S8X |
| | | | | SCALE: NONE | REVISION: A3 | |
| | | | | SHEET 1 OF 1 | | |

TITLE: CONNECTOR PLUG, J1939-13 TYPE 2, 9 POSITION, AHD SERIES
DWG NO: AHD16-9-1939S8X
REV: A3
SH: 1
OF: 1