

1

2

3

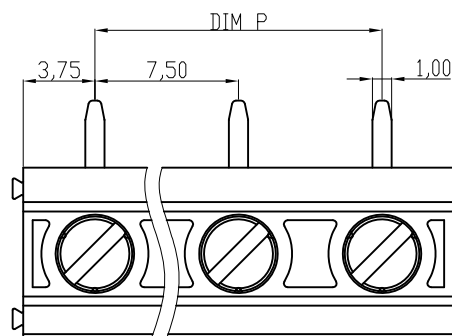
4

5

6

7

A

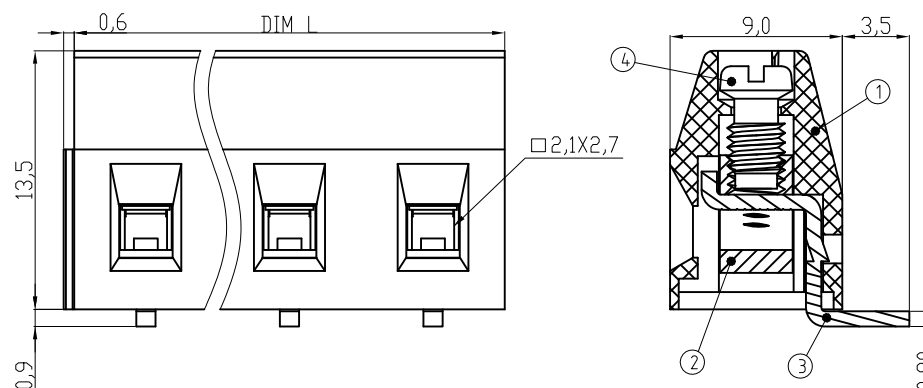


B

C

D

E



Material

- ① Terminal housing: Thermoplastic (UL94V-0) , GREEN
- ② Clamp: Brass, Ni plated
- ③ Wire guard solder pin: Brass, Tin plated
- ④ Terminal screw: Steel Zinc plating "-" slot type

Electrical cULus/FIMKO
 Voltage rating: 300VAC/300VAC
 Current rating: 16A/17.5A
 Wire range: 1.5mm²
 Solid wire(AWG): 12-28
 Stranded wire(AWG): 12-28
 Torque(Lb-In): 3.5Lb-In/0.5 Nm
 Screw: M3
 Wire strip length: 6-7mm
 Withstanding Voltage: 1.6KV/2.5KV
 Operating temperature: -40°C to +115°C
 Soldering temperature: 250°C±10°C/5 Sec
 Safety Approval:



A

B

C

D

E

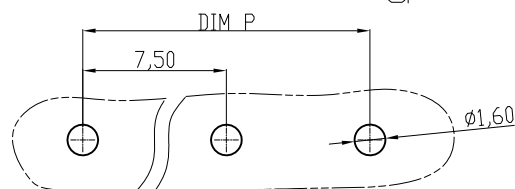
DIMENSION

L	Nx7.5
P	(N-1)x7.5

N=Number of poles

Poles	Tolerance
	DIM L & DIM P
2p-6p	±0.15
7p-12p	±0.25
13p-16p	±0.35

F



RECOMMENDER PCB LAYOUT

RoHS compliant

G

H

Scale	1:1	Date	19.04.2010	Name	Alex	Customer-No.		
TOLERANCE		Drawn	19.04.2010	Approved	Hellwig	ASSMANN WSW-No.	A-TB750-VIxxV	
X.	±0.50					Drawing-No.	ASS 4106 CO	
X.X	±0.30						rev00	
X.XX	±0.10							
DIM	TOL	©	Drawn	19.04.2010	Alex	Replace		Sheet
X.°	±1°							
Angle	TOL	Id.		Modification		Date		Name



G

H

1

2

3

4

5

6

7