

1

2

3

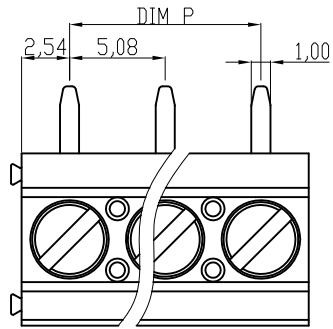
4

5

6

7

A



B

C

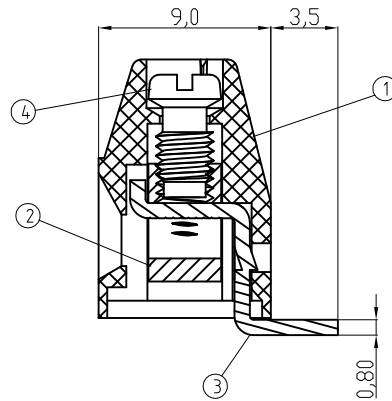
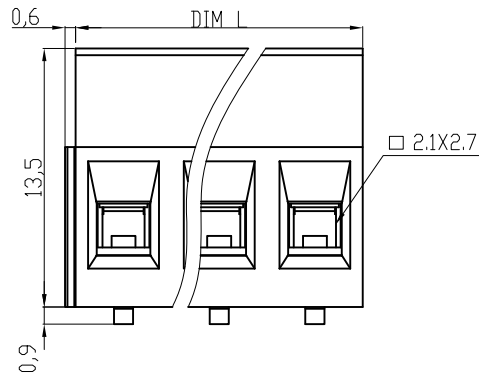
D

E

F

G

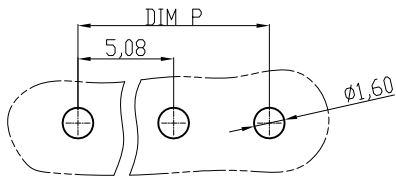
H



### Material

- ① Terminal housing: Thermoplastic (UL94V-0) , GREEN
- ② Clamp: Brass, Ni plated
- ③ Wire guard solder pin: Brass, Tin plated
- ④ Terminal screw: Steel Zinc plating "-" slot type

Electrical cULus/FIMKO  
 Voltage rating:300VAC/300VAC  
 Current rating:16A/17.5A  
 Wire range: 0.5-1.5mm<sup>2</sup>  
 Solid wire(AWG):12-28  
 Stranded wire(AWG):12-28  
 Torque(Lb-In):3.5Lb-In/0.5 Nm  
 Screw: M3  
 Wire strip length:6-7mm  
 Withstanding Voltage: 1.6KV/2.5KV  
 Operating temperature: -40°C to +115°C  
 Soldering temperature: 250°C±10°C/5 Sec  
 Safety Approval:



### DIMENSION

L	Nx5.08
P	(N-1)x5.08

N=Number of poles

Poles	Tolerance
DIM L&DIM P	
2p-6p	±0.15
7p-12p	±0.25
13p-16p	±0.35
17p-24p	±0.40

RECOMMENDER PCB LAYOUT

## RoHS compliant

Scale	1:1						Date	Name	Customer-No.	
TOLERANCE							Drawn	19.04.2010	Alex	
X.	±0.50						Approved	19.04.2010	Hellwig	
X.X	±0.30									
X.XX	±0.10									
DIM	TOL								Drawing-No.	
X.°	±1°								ASSMANN WSW-No. <b>A-TB508-VIxxV</b>	
		①	Drawn	19.04.2010	Alex				ASS 4108 CO	rev00
Angle	TOL	Id.	Modification	Date	Name			Replace	Sheet	

1

2

3

4

5

6

7

A

B

C

D

E

F

G

H