

1

2

3

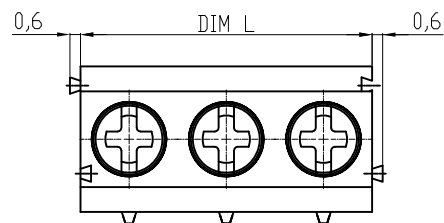
4

5

6

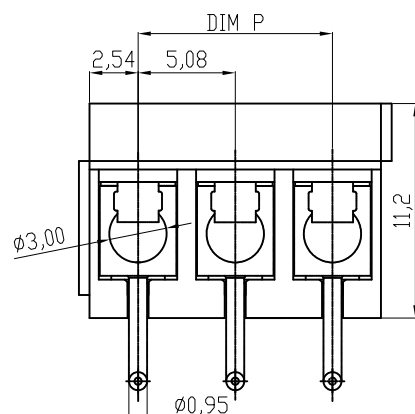
7

A

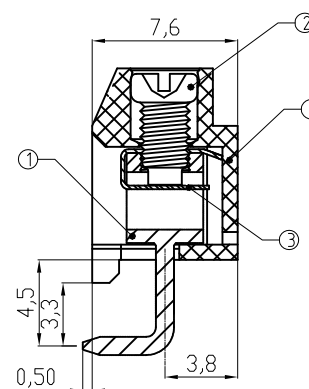


B

C



D



E

Material

- ① Terminal body(metal housing): Brass(CuZn),Tin plated
- ② Terminal screw: Steel Zinc plating "+/-" slot type
- ③ Wire guard:Stainless steel
- ④ Insulator (housing): Thermoplastic (UL94V-0) , GREEN

Electrical cULus

- Voltage rating: 300V
- Current rating: 15A
- Wire range:
- Solid wire(AWG): 14-24
- Stranded wire(AWG): 14-24
- Torque(Lb-In): 3.2
- Screw: M2.6
- Wire strip length: 5-6mm
- Withstanding Voltage: 1.6KV
- Operating temperature: -40°C to +115°C
- Soldering temperature: 250°C±10°C/5 Sec
- Safety Approval: cULus

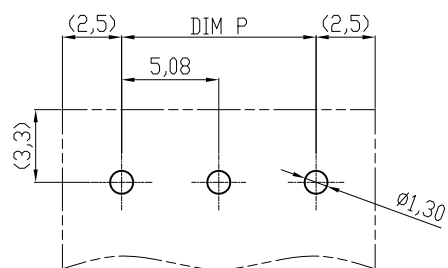
A

B

C

D

E



RECOMMENDER PCB LAYOUT

RoHS compliant

G

H

Scale	1:1				Date		Name	
TOLERANCE					Drawn	19.04.2010	Alex	
X.	±0.50				Approved	19.04.2010	Hellwig	
X.X	±0.30							
X.XX	±0.10							
DIM	TOL							
X.°	±1°							
		①	Drawn	19.04.2010	Alex			
Angle	TOL	Id.	Modification	Date	Name			

DIMENSION

L	Nx5,08
P	(N-1)x5.08

N=Number of poles

Poles	Tolerance	
	DIM L	DIM P
2p-6p	±0.15	±0.10
7p-12p	±0.20	±0.20
13p-18p	±0.30	±0.25
19p-24p	±0.35	±0.30

Customer-No.

ASSMANN WSW-No.
A-TB508-T9xx

Drawing-No.

ASS 4156 CO

rev00

Replace

Sheet

G

H

1

2

3

4

5

6

7