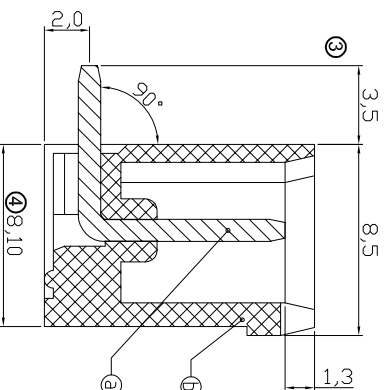
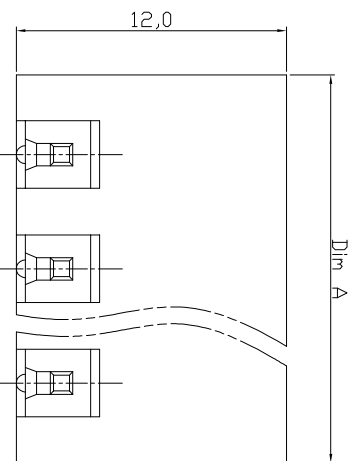


Recommended PCB LAYOUT



④ DIMENSION

A	Nx5.08+2.0
B	(N-1)x5.08

N=number of poles

Poles	ToI(DIMA)	ToI(DIMB)
2-6P	±0.15	±0.15
7-12P	±0.25	±0.25
13-18P	±0.30	±0.30
19-24P	±0.40	±0.40

Material
 Item ② Male contact pin: Copper Tin plated
 Item ① Terminal housing: Thermoplastic (UL94V-0)
 A-TB508-OQxxCH: Green(RAL6018/T)
 ③ A-TB508-OQxxCH-BK: Black(RAL9005)

Electrical cULus/VDE/TUV
 Voltage rating: 300VAC/300VAC/300VAC
 Current rating: 20A/20A/20A
 Withstanding Voltage: 1.6KV/2.5KV/2.5KV
 Operating temperature: -40°C to +115°C
 Soldering temperature: 250°C±10°C/5 Sec
 Safety Approval:

RoHS compliant
 Unit: mm



File No.: E349947

Scale	Free TOLERANCE	⑥ Update to correct style	④ 04.11.2016	Amy	Date	Name
X.	±0.50	⑤ Add the UL File No.	07.04.2016	Winnie	29.07.2009	Dean
X.X	±0.30	④ Update the design	12.02.2015	Amy	04.11.2016	Winnie
X.XX	±0.10	③ Update	18.10.2011	Lucas		
DIM	TOL	② Update	10.12.2009	Dean		
X.°	±1°	① Drawn	29.07.2009	Dean		
Angle	TOL	Id.	Modification	Date	Name	



Customer-No.
 ASSMANN WSW-No.
 A-TB508-OQxxCH
 ③ A-TB508-OQxxCH-BK
 Drawing-No.
 ASS 3602 CO
 rev06
 Replace Sheet

1	2	3	4	5	6	7	A
1	2	3	4	5	6	7	B
1	2	3	4	5	6	7	C
1	2	3	4	5	6	7	D
1	2	3	4	5	6	7	E
1	2	3	4	5	6	7	F
1	2	3	4	5	6	7	G
1	2	3	4	5	6	7	H