

1

2

3

4

5

6

7

A

A

B

B

C

C

D

D

E

E

F

F

G

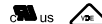
G

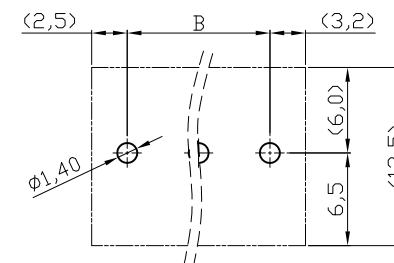
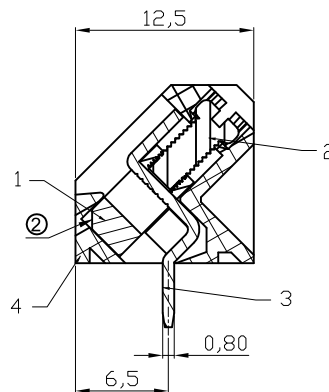
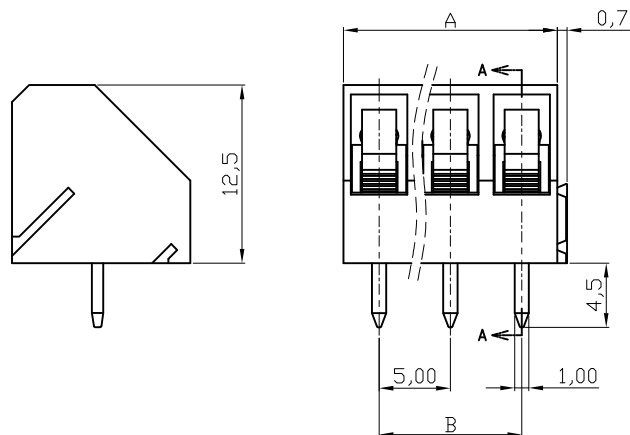
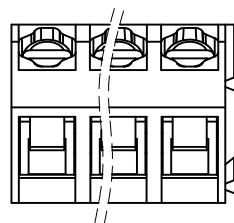
H

H

Material

Item 1 Clamp: Brass, Ni plated
 Item 2 Terminal screw: Steel Zinc plating "-" slot type
 Item 3 Wire guard solder pin: Brass, Tin plated
 Item 4 Insulator (housing): Thermoplastic (UL94V-0), Blue

Electrical UL / VDE
 Voltage rating: 300V/250V
 Current rating: 15A/10A
 Wire range: 0,34-4.0mm²
 Solid wire (AWG): 12-24
 Stranded wire (AWG): 12-24
 Torque (Lb-In): 3.5 Lb-In / 0.4 N.m
 Screw: M2.5
 Wire strip length: 6-7mm
 Withstanding Voltage: 1.6KV/2KV
 Operating temperature: -40°C to +115°C
 Soldering temperature: 250°C ± 10°C / 5 Sec
 Safety Approval: 




RECOMMENDED PCB LAYOUT

N=Number of poles
 A=Nx5.0
 B=(N-1)x5.0

POLES	A	B
2p-6p	±0.15	±0.15
7p-12p	±0.20	±0.20
13p-18p	±0.30	±0.30
19p-24p	±0.40	±0.40

RoHS compliant

Scale	1:1						Date	Name	Customer-No.
TOLERANCE							Drawn	25.10.2007	Hellwig
X.	±0.50						Approved	21.04.2010	Hellwig
X.X	±0.30								
X.XX	±0.10								
DIM	TOL	②	Update	21.04.2010	Dean		Drawing-No.		ASSMANN WSW-No. A-TB500-TGxx
X.°	±1°	①	Drawn	25.10.2007	Hellwig		ASS 2375 CO		
Angle	TOL	Id.	Modification	Date	Name		Replace		Sheet

1

2

3

4

5

6

7

SV606