

1

2

3

4

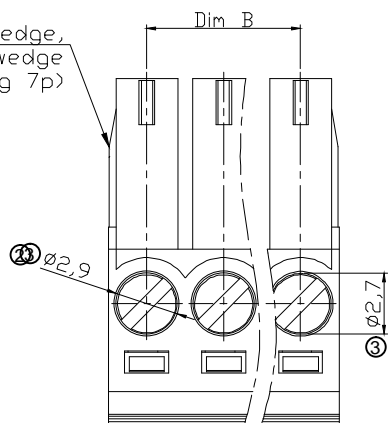
5

6

7

A

2p to 6p with wedge,
above 7p without wedge
(including 7p)



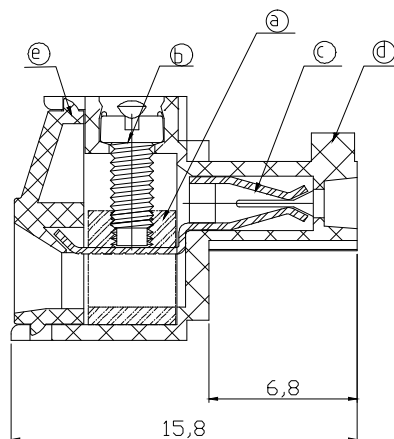
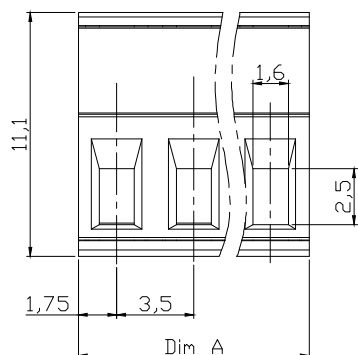
B

C

D

E

F



Material

- Item ① Clamp: Brass(CuZn) Ni plated
- Item ② Terminal screw: Steel Zinc plating "-" slot type
- Item ③ Female contact: PhBz, Tin plated
- Item ④ Terminal(housing): PA66 (UL94V-0) Green(RAL356C)
- Item ⑤ Terminal cover: PA66 (UL94V-0) Green(RAL356C)

Electrical cULus

- Voltage rating: 300VAC
- Current rating: 10A
- Wire range: 1.5mm²
- Solid wire(AWG): 16-24
- Stranded wire(AWG): 6-24
- Torque: 2.5kgf.cm
- Screw: M2
- ③ With strip length: 5-6mm
- Withstanding Voltage: 1.6KV
- Operating temperature: -40°C to +105°C
- Safety Approval: us

- ④ Packaging: Tray

DIMENSION

A	Nx3.5
B	(N-1)x3.5

N=Number of poles

RoHS compliant
Unit: mm



② File No.: E349947

Scale	Free					Date	Name	Customer-No.
TOLERANCE						Drawn	10.12.2009	Dean
X.	±0.50							
X.X	±0.30	④	Add packaging type	07.08.2018	Xavier	Approved	05.01.2018	Tom
X.XX	±0.20	③	Update	05.01.2018	Tom			
DIM	TOL	②	Update to new drawing and add UL	14.04.2016	Amy			
X.°	±1°	①	Drawn	10.12.2009	Dean			
Angle	TOL	Id.	Modification	Date	Name			Drawing-No.
								ASS 3822 CO
						Replace		Sheet

1

2

3

4

5

6

7

H

H

G

G

A

A

B

B

C

C

D

D

E

E

F

F