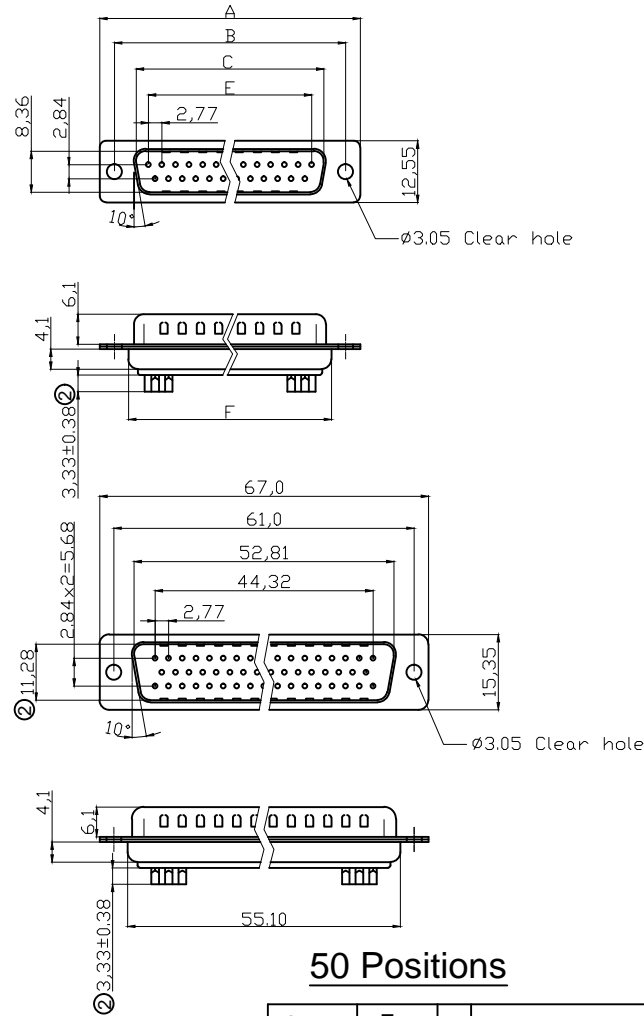


**Male**



**Product Specification**

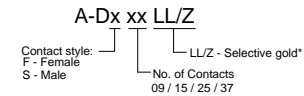
**Material**

- Insulator : Glass-Filled Thermoplastic PBT,UL94V-0,White
- Contact : Copper alloy, Gold flash selective gold
- ⑥ Shell: Steel 100u" Tin Over 50u" min Copper

**Electrical**

- Contact Resistance : 20 milliohms Max at 1 AMP DC.
- Insulation Resistance : 1000 magohms at 500 VDC
- Dielectric Withstanding Voltage : 1000 VAC/rms 60Hz for 1 minute
- Current Rating : 3 AMP
- Volatge Rating : 250 VAC/rms 60Hz
- ⑤ Durability :250 mating cycles
- ① Operating Temperature : -55°C+105°C
- ⑦ Soldering Temperature : 245±5°C in 10s

**Order Code:**



**Dimensions**

Positions	A	B	C	E	F
9	30.81	24.99	16.92	11.08	19.20
15	39.20	33.30	25.25	19.39	27.70
25	53.04	47.04	38.96	33.24	41.10
37	69.40	63.50	55.42	49.86	57.30

**50 Positions**

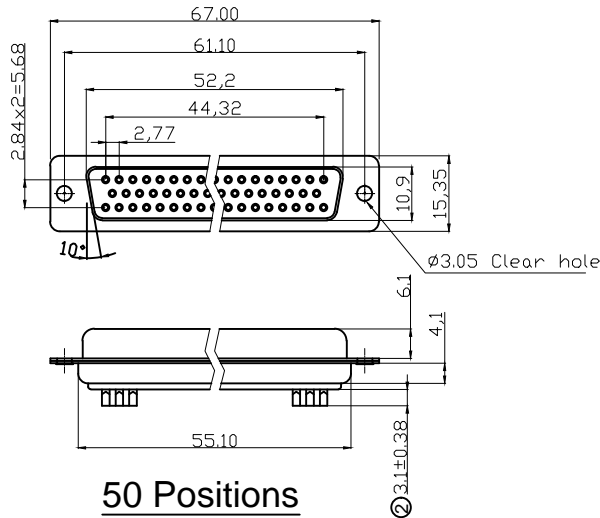
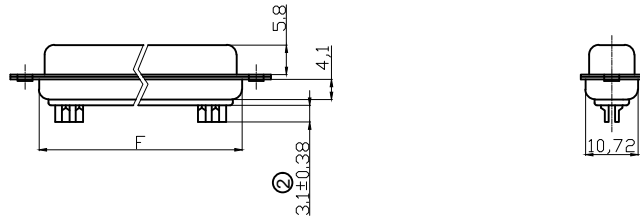
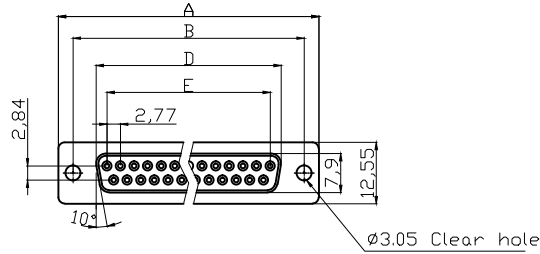
**RoHS compliant**  
Unit: mm



Scale	Free	⑦	Add solder temperature	16.07.2018	Xavier		Date	Name	Customer-No.
<b>TOLERANCE</b>		⑥	Add the detail plating of shell	17.01.2018	Tom	Drawn	15.08.2012	Lucas	ASSMANN WSW-No. <b>A-Dx xx LL/Z</b>
X.	±0.38	⑤	Add the mating cycles	19.10.2017	Winnie	Approved	16.07.2018	Winnie	
X.X	±0.25	④	Cancel "Clinch Nut "&"ScrewLock"	17.06.2016	Winnie				Drawing-No. <b>ASS 4884 CO</b>
X.XX	±0.13	③	Add the UL number	03.04.2015	Winnie				
DIM	TOL	②	Update the dimension	27.02.2015	Winnie				Replace
X.°	±3°	Id.	Modification	Date	Name				
X.X°	±1.0°								
Angle	TOL								



**Female**



**50 Positions**

**Product Specification**

**Material**

- Insulator : Glass-Filled Thermoplastic PBT,UL94V-0,White
- Contact : Copper Alloy , Gold flash selective gold plating
- ⑥ Shell: Steel 100u" Tin Over 50u" min Copper

**Electrical**

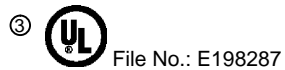
- Contact Resistance : 20 milliohms Max at 1 AMP DC.
- Insulation Resistance : 1000 magohms at 500 VDC
- Dielectric Withstanding Voltage :1000 VAC/rms 60Hz for 1 minute
- Current Rating : 3 AMP
- Volatge Rating : 250 VAC/rms 60Hz
- ⑤ Durability :250 mating cycles
- ① Operating Temperature : -55°C+105°C
- ⑦ Soldering Temperature : 245±5°C in 10s

**Dimensions**

Positions	A	B	D	E	F
9	30.81	24.99	16.33	11.08	19.20
15	39.20	33.30	24.70	19.39	27.70
25	53.05	47.04	38.40	33.24	41.10
37	69.40	63.50	54.84	49.86	57.30

**RoHS compliant**

Unit:mm



Scale	Free	⑦	Add solder temperature	16.07.2018	Xavier		Date	Name	Customer-No.	
<b>TOLERANCE</b>		⑥	Add the detail plating of shell	17.01.2018	Tom	Drawn	15.08.2012	Lucas	ASSMANN WSW-No. <b>A-Dx xx LL/Z</b>	
X.	±0.38	⑤	Add the mating cycles	19.10.2017	Winnie	Approved	16.07.2018	Winnie		
X.X	±0.25	④	Cancel "Clinch Nut "&"ScrewLock"	17.06.2016	Winnie				Drawing-No.	
X.XX	±0.13	③	Add the UL number	03.04.2015	Winnie	<b>ASSMANN</b> WSW components			<b>ASS 4884 CO</b>	rev07
DIM	TOL	②	Update the dimension	27.02.2015	Winnie					
X.°	±3°	①	Id.	Modification	Date				Name	Replace
X.X°	±1.0°									
Angle	TOL									

