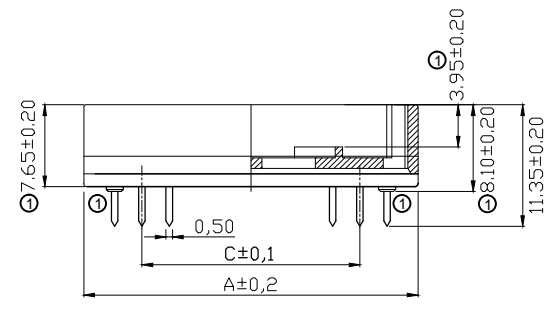
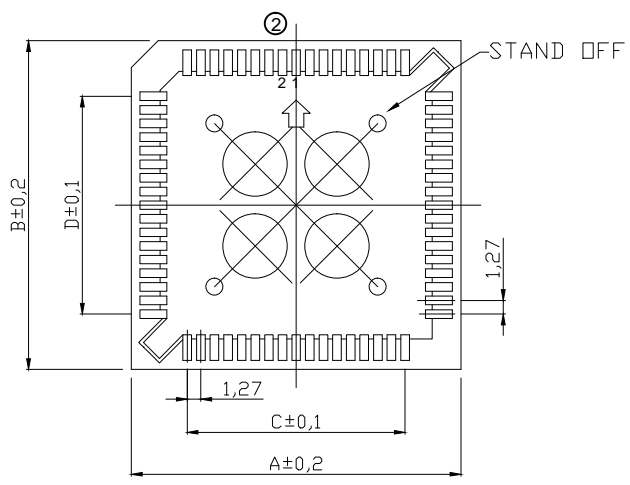


1 2 3 4 5 6 7

A



**Product Specification**

**Material**  
 Insulator: Glass filled PBT or PPS UL94V-0 Black  
 ① Contact :Phosphor Bronze, 0.25mm Thickness  
 Plated: 0.8u" Gold on contact area, 0.2-0.3u" Gold on other area  
 80-120u" Tin on solder area, all over 30-50u" Nickel

**MECHANICAL PERFORMANCE:**  
 Durability: Per MIL-STD-1344, Method 2016,25 Cycles  
 Vibration: Per MIL-STD-810c, Method 514.2 10-200,000Hz 5G's  
 Shock: Per MIL-STD-810C, Method 516.2,35G's  
 Acceleration: Per MIL-STD-810C, Method 513.2, 15G's  
 Contact Force: 170g/per pin.

**ELECTRICAL PERFORMANCE:**  
 Contact Interface Resistance:  
 Initial:6.5 Milliohms Average  
 Final: 15.0 Milliohms Average Max.After Testing.  
 Insulation Resistance:10000 Megohms min.  
 Dielectric Strength: 1000VAC continuous for 1 minute.  
 Capacitance: Less Than 1.0pf At 1000KHz.  
 Operating and Storage Temperature :-40°C to +105°C

Packing: Tube

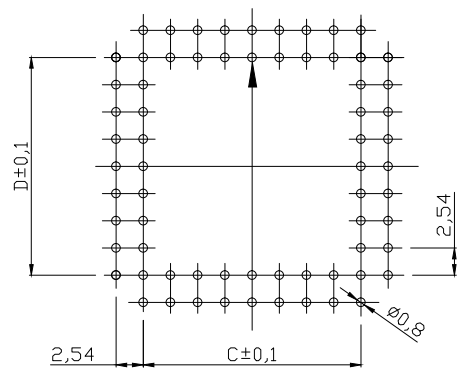
B

C

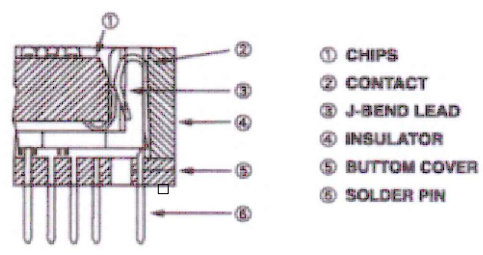
D

E

F



PCB Layout



- ① CHIPS
- ② CONTACT
- ③ J-BEND LEAD
- ④ INSULATOR
- ⑤ BOTTOM COVER
- ⑥ SOLDER PIN

**Dimensions**

No. of Contacts	Insulator	A±0.2	B±0.2	C±0.1	D±0.1
20	PBT, Black, UL94V-0	15.50	15.50	5.08	5.08
28	PBT, Black, UL94V-0	18.05	18.05	7.62	7.62
32	PBT, Black, UL94V-0	18.05	20.60	7.62	10.16
44	PBT, Black, UL94V-0	23.50	23.50	12.70	12.70
52	PBT, Black, UL94V-0	25.88	25.88	15.24	15.24
68	PPS, Black, UL94V-0	31.05	31.05	20.32	20.32
84	PPS, Black, UL94V-0	36.05	36.05	25.40	25.40

**RoHS compliant**  
 Unit: mm

Scale	Free					Date	Name	Customer-No.
<b>TOLERANCE</b>						Drawn	29.09.2015	Amy
X.	±X					Approved	29.09.2015	Amy
X.X	±X							
X.XX	±X	②	Add Pin out Diagrams	02.08.2018	Xavier			
X.°	±X	①	Update the plating spec	11.05.2018	Segal			
Angle	TOL	①	Drawn	29.09.2015	Amy			
		①						
		Id.	Modification	Date	Name			



Customer-No.		
ASSMANN WSW-No.		<b>A-CCS 0xx-G-T</b>
Drawing-No.		
<b>ASS 7007 CO</b>	rev02	
Replace	Sheet	
	1/2	

1 2 3 4 5 6 7

A

B

C

D

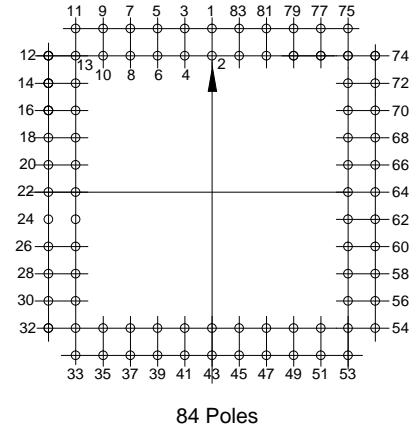
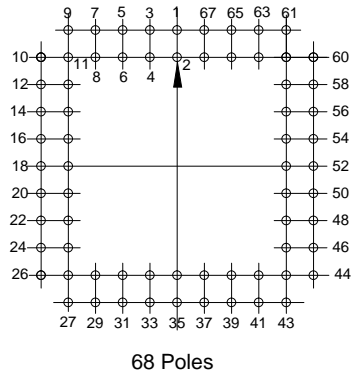
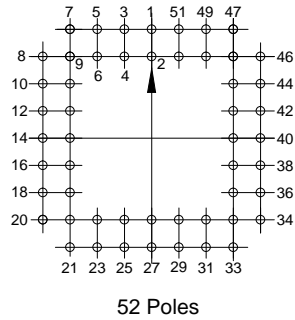
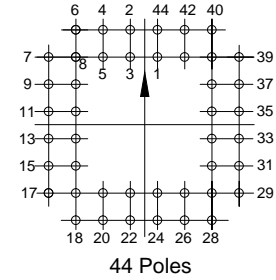
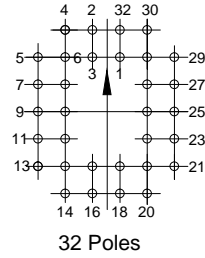
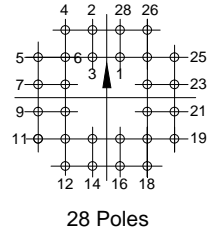
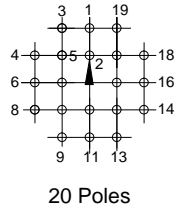
E

F

G

H

② PCB Layout & Pin-out Diagram



**RoHS compliant**  
Unit: mm

Scale	Free					Date	Name	Customer-No.
TOLERANCE						Drawn	29.09.2015	Amy
X.	±X					Approved	29.09.2015	Amy
X.X	±X							
X.XX	±X	②	Add Pin out Diagrams	02.08.2018	Xavier			
X.°	±X	①	Update the plating spec	11.05.2018	Segal			
Angle	TOL	①	Drawn	29.09.2015	Amy			
		①	Id.	Modification	Date	Name	Replace	Sheet 2/2

ASSMANN WSW-No.  
**A-CCS 0xx-G-T**

Drawing-No.  
**ASS 7007 CO** rev02

Replace