

DESCRIPTION : ABOVE PCB, DECK AND PUSH ROD LOCATION ARE AS VIEW BY USER.

PRODUCT NO.	PUSH ROD LOCATION		STAND-OFF HEIGHT	CLOSEST TO PCB	FARTHEST FROM PCB	MATING RECEPTACLE ④	P.C.B SIDE	RECOMMENDED P.C.B LAYOUT (SEE PAGE 6&7)	MOUNT STYLE TO PCB AND PUSH ROD SIDE
	DECK CLOSEST TO PCB	DECK FARTHEST TO PCB		② EJ HDR ASS'Y	③ EJ HDR ASS'Y				
200CA/200CALF	RIGHT	RIGHT	0.0	95620-002CA/002CALF	95547-005CA/005CALF	RECEPTACLE PART NO. 91931-31169	ABOVE	LAYOUT 1	
220CA	RIGHT	RIGHT	2.2	95547-020CA	95547-025CA			LAYOUT 2	
240CA	RIGHT	RIGHT	4.3	95547-040CA	95547-045CA			LAYOUT 3	
250CA	RIGHT	RIGHT	5.0	95547-050CA	95547-055CA			LAYOUT 3	
300CA	LEFT	LEFT	0.0	95620-102CA	95547-105CA			LAYOUT 1	
320CA	LEFT	LEFT	2.2	95547-120CA	95547-125CA			LAYOUT 2	
340CA	LEFT	LEFT	4.3	95547-140CA	95547-145CA			LAYOUT 3	
350CA	LEFT	LEFT	5.0	95547-150CA	95547-155CA			LAYOUT 3	
700CA	RIGHT	RIGHT	0.0	95620-502CA	95547-505CA	RECEPTACLE PART NO. 91931-31169	BELOW	LAYOUT 4	
720CA	RIGHT	RIGHT	2.2	95547-520CA	95547-525CA			LAYOUT 5	
740CA	RIGHT	RIGHT	4.3	95547-540CA	95547-545CA			LAYOUT 6	
750CA	RIGHT	RIGHT	5.0	95547-550CA	95547-555CA			LAYOUT 6	
800CA	LEFT	LEFT	0.0	95620-602CA	95547-605CA			LAYOUT 4	
820CA	LEFT	LEFT	2.2	95547-620CA	95547-625CA			LAYOUT 5	
840CA	LEFT	LEFT	4.3	95547-640CA	95547-645CA			LAYOUT 6	
850CA	LEFT	LEFT	5.0	95547-650CA	95547-655CA			LAYOUT 6	

## ORDERING INFORMATION

NAME	PART NO.	Q'TY
① EJECT HEADER ASS'Y	95562-*****	1
④ MATING RECEPTACLE	91931-31169	2

OR

## ORDERING INFORMATION

NAME	PART NO.	Q'TY
② DECK CLOSEST TO PCB	95547-*****	1
③ DECK FARTHEST FROM PCB	95547-*****	1
④ MATING RECEPTACLE	91931-31169	2

OR

## ORDERING INFORMATION

NAME	PART NO.	Q'TY
② DECK CLOSEST TO PCB	95620-*****	1
③ DECK FARTHEST FROM PCB	95547-*****	1
④ MATING RECEPTACLE	91931-31169	1

mat'l code		tolerance unless otherwise specified		CUSTOMER COPY	FCJ www.fciconnect.com		
rev.	ecn no.	dr	date	linear	± 0.30	projection 	title EJECTOR HEADER ASS'Y 5.0V SMT, TYPE 1/2/3
J	N05-0127	W B	05/11/05				
K	N06-0135	C M	05/22/06	angles	± 2°		product family PCMCA
L	N09-0091	MZ	03/19/09				
M	ELX-N-01140	ZK	04/12/12	dr	WENDY CHEN	02/14/95	unit
				enr	JOSEPH HSIA	02/14/95	mm/inch
				chr	JOSEPH HSIA	02/14/95	scale
				appd	JENN TSAO	02/14/95	1:1
sheet	revision	M	M	M	M	M	M
index	sheet	1	2	3	4	5	6
		7	8	9			



www.fciconnect.com

title  
EJECTOR HEADER ASS'Y  
5.0V SMT, TYPE 1/2/3product family  
PCMCA  
code  
size  
dwg no.  
95562  
sheet  
1 OF 9

sheet	revision	M	M	M	M	M	M	M	M
index	sheet	1	2	3	4	5	6	7	8
		9							

DESCRIPTION : ABOVE PCB, DECK AND PUSH ROD LOCATION ARE AS VIEW BY USER.

PRODUCT NO.	PUSH ROD LOCATION		STAND-OFF HEIGHT	CLOSEST TO PCB	FARTHEST FROM PCB	MATING RECEPTACLE ④	P.C.B SIDE	RECOMMENDED P.C.B LAYOUT (SEE PAGE 6&7)	MOUNT STYLE TO PCB AND PUSH ROD SIDE
	DECK CLOSEST TO PCB	DECK FARTHEST TO PCB		② EJ HDR ASS'Y	③ EJ HDR ASS'Y				
① 95562-****									
200CA/200CALF	RIGHT	RIGHT	0.0	95620-002CA/002CALF	95547-005CA/005CALF	RECEPTACLE PART NO. 91931-31169LF	ABOVE	LAYOUT 1	
220CALF	RIGHT	RIGHT	2.2	95547-020CALF	95547-025CALF			LAYOUT 2	
240CALF	RIGHT	RIGHT	4.3	95547-040CALF	95547-045CALF			LAYOUT 3	
241CALF	RIGHT	RIGHT	4.3	95547-041CALF	95547-045CALF			LAYOUT 3	
250CALF	RIGHT	RIGHT	5.0	95547-050CALF	95547-055CALF			LAYOUT 3	
300CA	LEFT	LEFT	0.0	95620-102CA	95547-105CA			LAYOUT 1	
320CALF	LEFT	LEFT	2.2	95547-120CALF	95547-125CALF			LAYOUT 2	
340CALF	LEFT	LEFT	4.3	95547-140CALF	95547-145CALF			LAYOUT 3	
350CALF	LEFT	LEFT	5.0	95547-150CALF	95547-155CALF			LAYOUT 3	
700CA	RIGHT	RIGHT	0.0	95620-502CA	95547-505CA	RECEPTACLE PART NO. 91931-31169LF	BELOW	LAYOUT 4	
720CALF	RIGHT	RIGHT	2.2	95547-520CALF	95547-525CALF			LAYOUT 5	
740CALF	RIGHT	RIGHT	4.3	95547-540CALF	95547-545CALF			LAYOUT 6	
750CALF	RIGHT	RIGHT	5.0	95547-550CALF	95547-555CALF			LAYOUT 6	
800CA	LEFT	LEFT	0.0	95620-602CA	95547-605CA			LAYOUT 4	
820CALF	LEFT	LEFT	2.2	95547-620CALF	95547-625CALF			LAYOUT 5	
840CALF	LEFT	LEFT	4.3	95547-640CALF	95547-645CALF			LAYOUT 6	
850CALF	LEFT	LEFT	5.0	95547-650CALF	95547-655CALF			LAYOUT 6	

ORDERING INFORMATION

NAME	PART NO.	Q'TY
① EJECT HEADER ASS'Y	95562-****LF	1
④ MATING RECEPTACLE	91931-31169LF	2

OR

ORDERING INFORMATION

NAME	PART NO.	Q'TY
② DECK CLOSEST TO PCB	95547-****LF	1
③ DECK FARTHEST FROM PCB	95547-****LF	1
④ MATING RECEPTACLE	91931-31169LF	2

OR

ORDERING INFORMATION

NAME	PART NO.	Q'TY
② DECK CLOSEST TO PCB	95620-****LF	1
③ DECK FARTHEST FROM PCB	95547-****LF	1
④ MATING RECEPTACLE	91931-31169LF	1

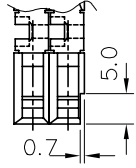
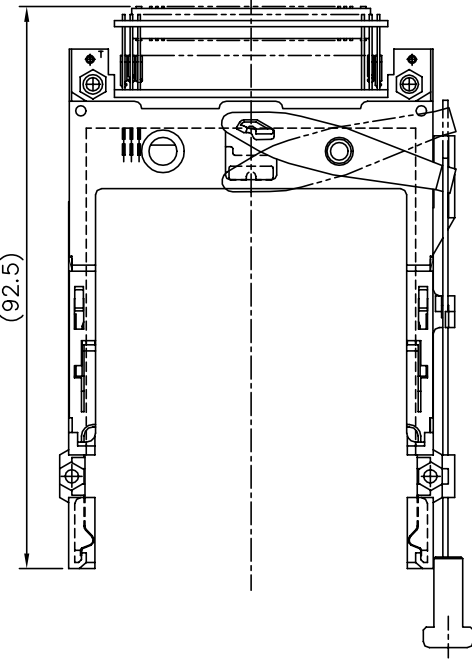
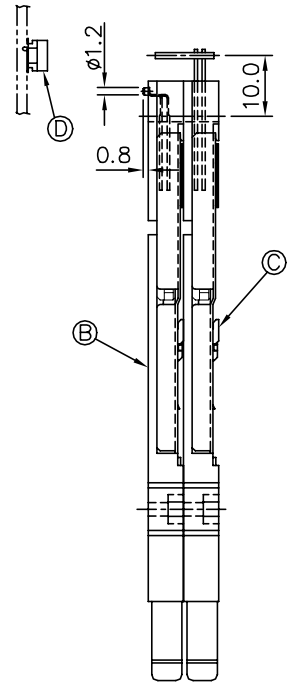
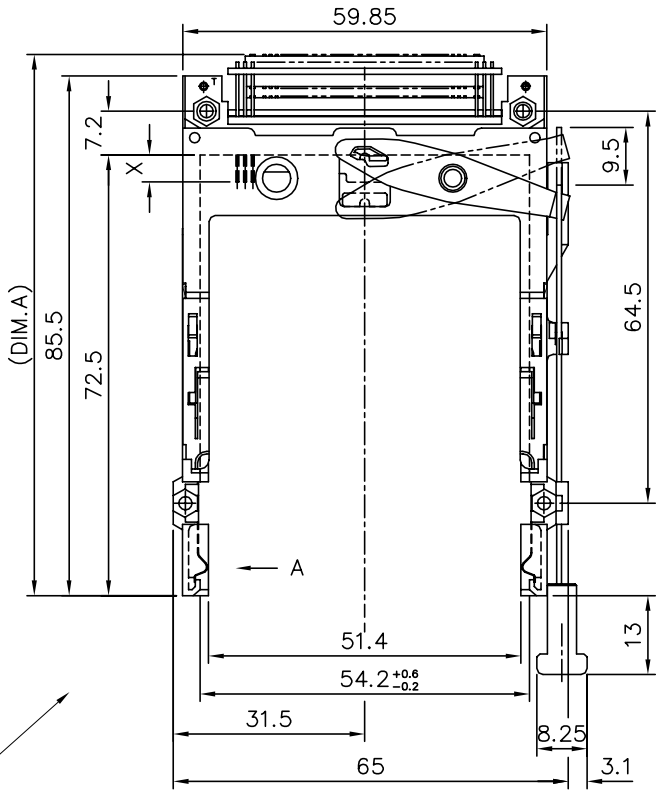
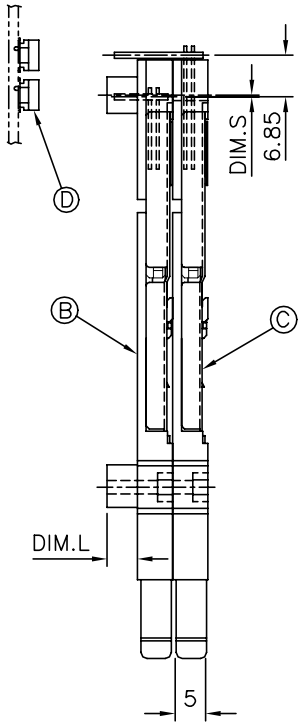
mat'l code		tolerance unless otherwise specified		CUSTOMER COPY		www.fcconnect.com	
rev. M	ecn no.	dr	date	linear	± 0.30	projection	title EJECTOR HEADER ASS'Y 5.0V SMT, TYPE 1/2/3
				angles	± 2'		
				dr	WENDY CHEN 02/14/95	unit	product family PCMCIA code
				enr	JOSEPH HSIAO 02/14/95	mm/inch	
				chr	JOSEPH HSIAO 02/14/95	scale	size A3 dwg no. 95562 sheet 2 of
				appd	JENN TSAO 02/14/95	1:1	
sheet index	revision sheet						

Tous droits strictement reserves. Reproduction ou communication a des tiers sans autorisation écrite du propriétaire. FCJ ELECTRONICS. Droits de reproduction FCJ ELECTRONICS by



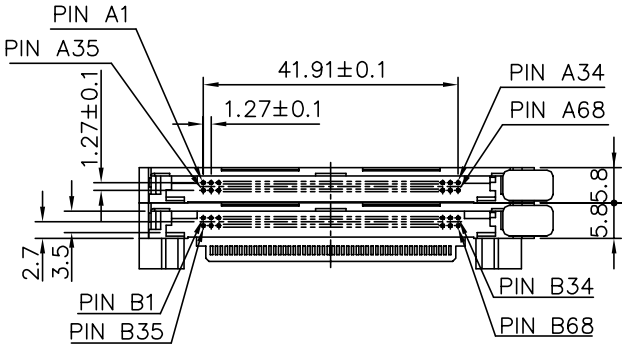
All rights strictly reserved. Reproduction or issue to third parties in any form without written authority from the proprietor. FCJ ELECTRONICS. Copyright FCJ ELECTRONICS by

Tous droits strictement réservés. Reproduction ou communication a des tiers int sous quelque forme que ce soit sans autorisation écrite du propriétaire.  
 Property of BERG ELECTRONICS. Droits de reproduction BERG ELECTRONICS by  
 All rights strictly reserved. Reproduction or issue to third parties in any for whatever is not permitted without written authority from the proprietor.  
 Property of BERG ELECTRONICS. Copyright BERG ELECTRONICS by

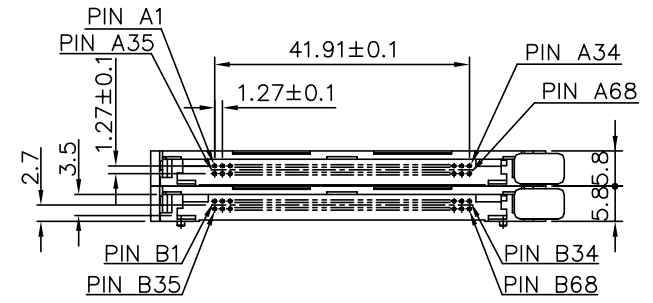


DIRECTION "A"  
 ONLY FOR -241CALF

① PART NUMBER	DIM.L	DIM.S	DIM.A
95562-220CA	2.2	2.15	91.5
95562-240CA	4.3	-0.3	89.05
95562-250CA	5.0	-0.3	89.05
95562-220CALF	2.2	2.15	91.5
95562-240CALF	4.3	-0.3	89.05
95562-241CALF	4.3	-0.3	89.05
95562-250CALF	5.0	-0.3	89.05



P/N : 95562-2\*\*CA/2\*\*CALF  
 ( ABOVE P.C.B. )



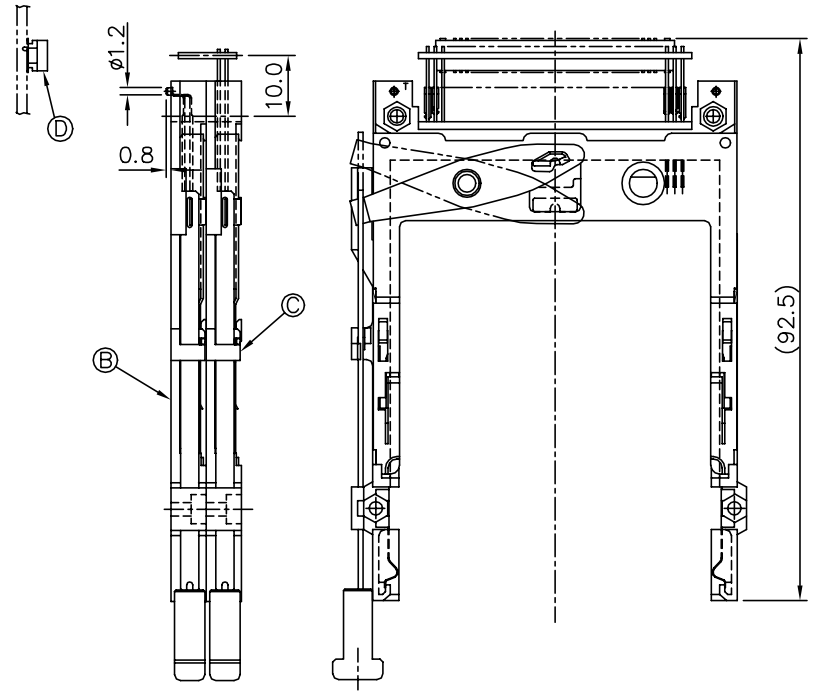
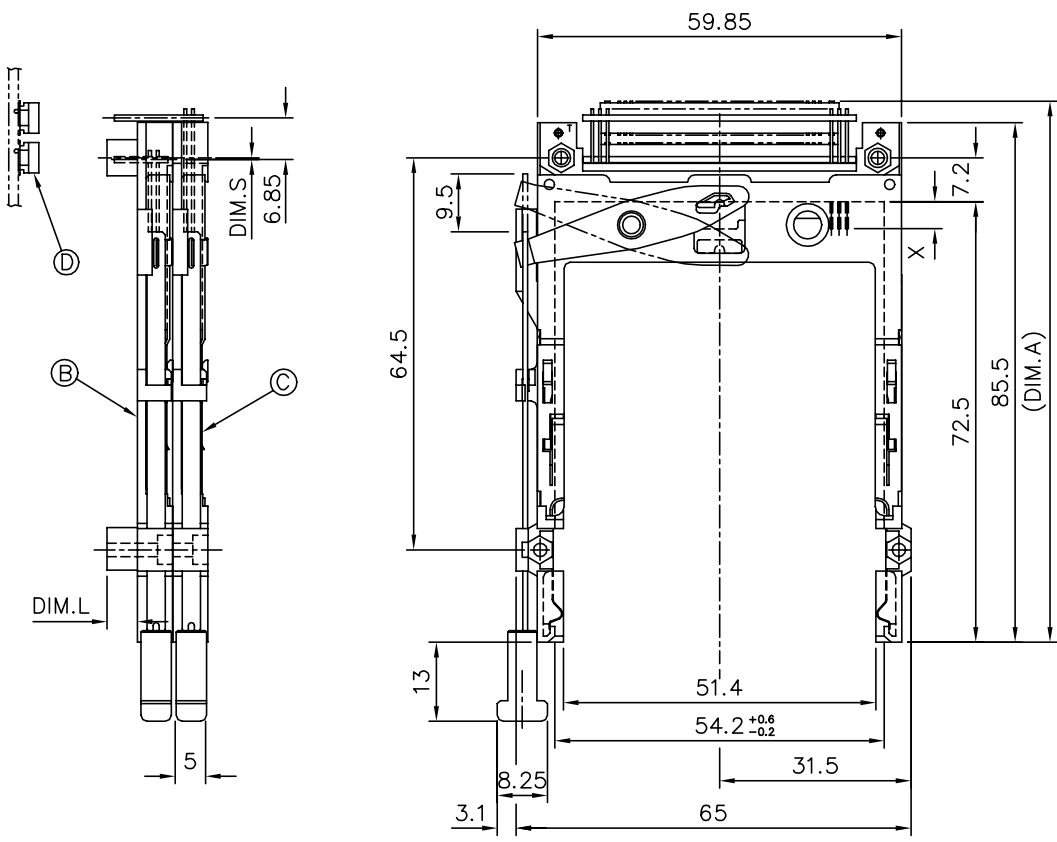
P/N : 95562-200CA  
 ( ABOVE P.C.B. )

mat'l code		tolerance unless otherwise specified		CUSTOMER COPY	 www.fciconnect.com	
rev.	ecn no.	dr	date	linear		projection
M					± 0.30	
				angles	± 2°	
		dr	WENDY CHEN	02/14/95	unit	
		enr	JOSEPH HSIA	02/14/95	mm/inch	
		chr	JOSEPH HSIA	02/14/95	scale	
		app	LELAND WANG	02/14/95	1.2:1	
sheet	revision				product family	code
index	sheet				PCMCIA	
					size	dwg no.
					A3	95562
						sheet 3 of

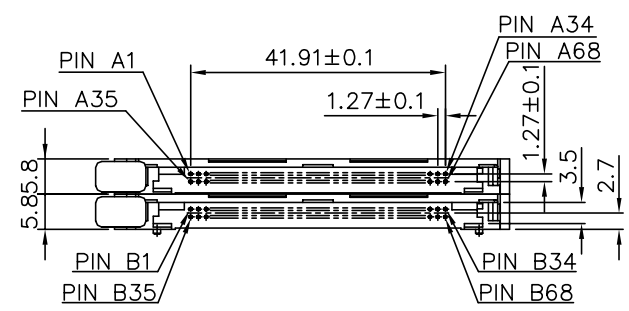
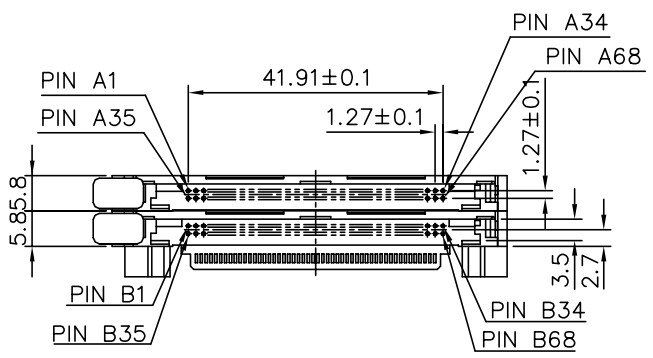
Tous droits strictement réservés. Reproduction ou communication à des tiers sans autorisation écrite du propriétaire.  
 Property of BERG ELECTRONICS. All rights reserved.  
 Droits de reproduction BERG ELECTRONICS sv



All rights strictly reserved. Reproduction or issue to third parties in any form without written authority from the proprietor.  
 Property of BERG ELECTRONICS. All rights reserved.  
 Copyright BERG ELECTRONICS sv



(A) PART NUMBER	DIM.L	DIM.S	DIM.A
95562-320CA	2.2	2.15	91.5
95562-340CA	4.3	-0.3	89.05
95562-350CA	5.0	-0.3	89.05
95562-320CALF	2.2	2.15	91.5
95562-340CALF	4.3	-0.3	89.05
95562-350CALF	5.0	-0.3	89.05



P/N : 95562-300CA  
 ( ABOVE P.C.B. )

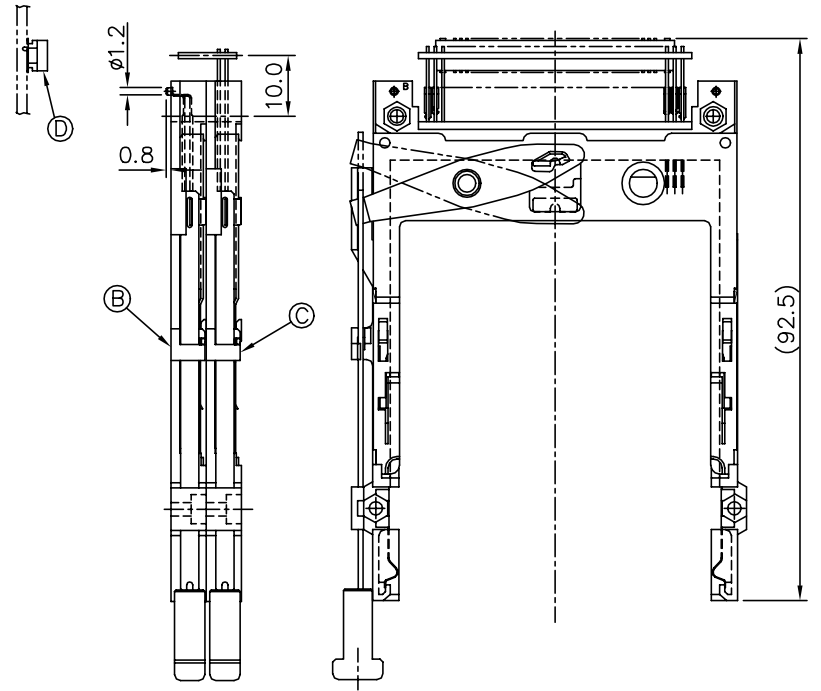
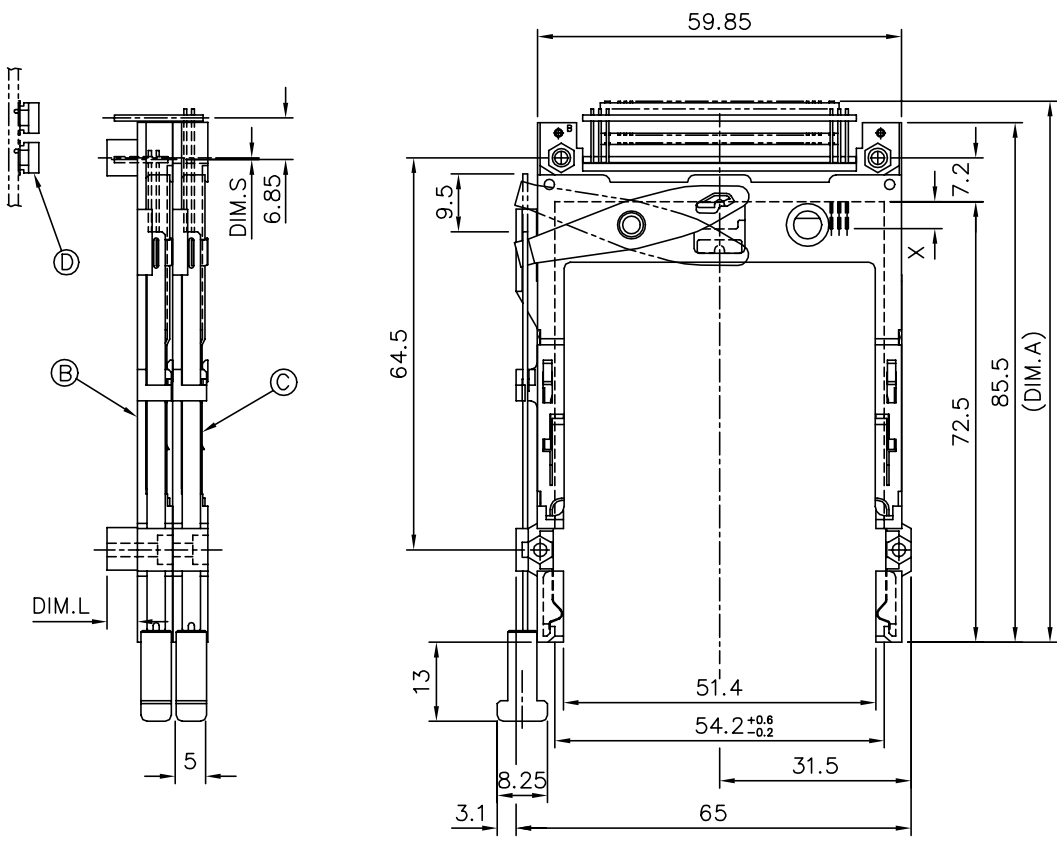
P/N : 95562-3\*\*CA/3\*\*CALF  
 ( ABOVE P.C.B. )

mat'l code		tolerance unless otherwise specified		CUSTOMER COPY	www.fciconnect.com	
rev.	ecn no.	dr	date	linear	projection	title
M						
				angles	± 2°	5.0V SMT TYP 1/2/3
		dr	WENDY CHEN 02/14/95	unit	mm/inch	product family
		enrg	JOSEPH HSIA 02/14/95	size	A3	PCMCIA
		chr	JOSEPH HSIA 02/14/95	scale	1.2:1	code
		appd	LELAND WANG 02/14/95			dwg no.
sheet	revision					95562
index	sheet					4 OF

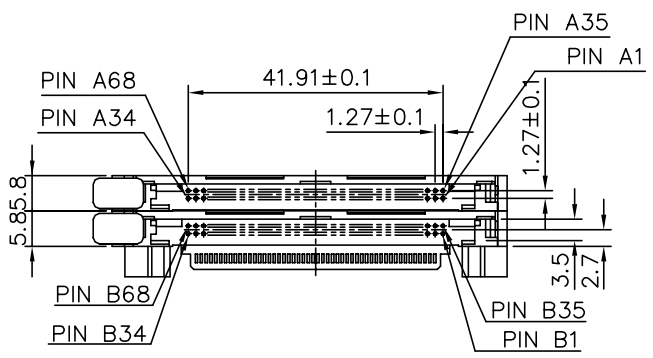
Tous droits strictement réservés. Reproduction ou communication à des tiers sans autorisation écrite du propriétaire.  
 Property of BERG ELECTRONICS. All rights reserved.  
 Copyright BERG ELECTRONICS. All rights reserved.



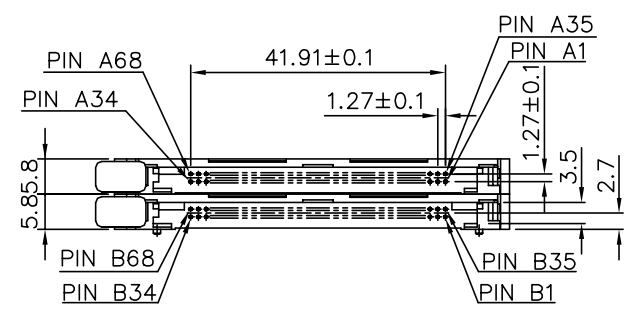
All rights strictly reserved. Reproduction or issue to third parties in any form without written authority from the proprietor.  
 Property of BERG ELECTRONICS. All rights reserved.  
 Copyright BERG ELECTRONICS. All rights reserved.



① PART NUMBER	DIM.L	DIM.S	DIM.A
95562-720CA	2.2	2.15	91.5
95562-740CA	4.3	-0.3	89.05
95562-750CA	5.0	-0.3	89.05
95562-720CALF	2.2	2.15	91.5
95562-740CALF	4.3	-0.3	89.05
95562-750CALF	5.0	-0.3	89.05



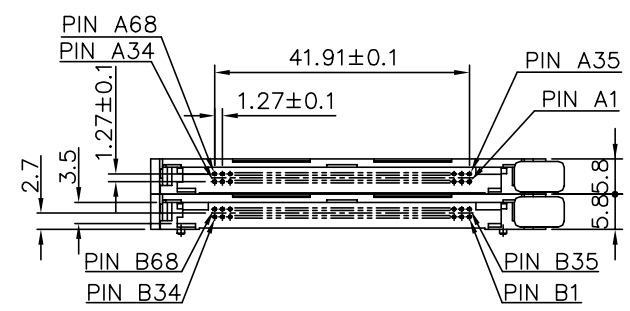
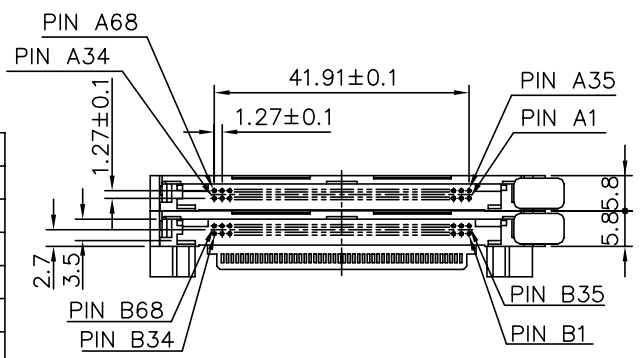
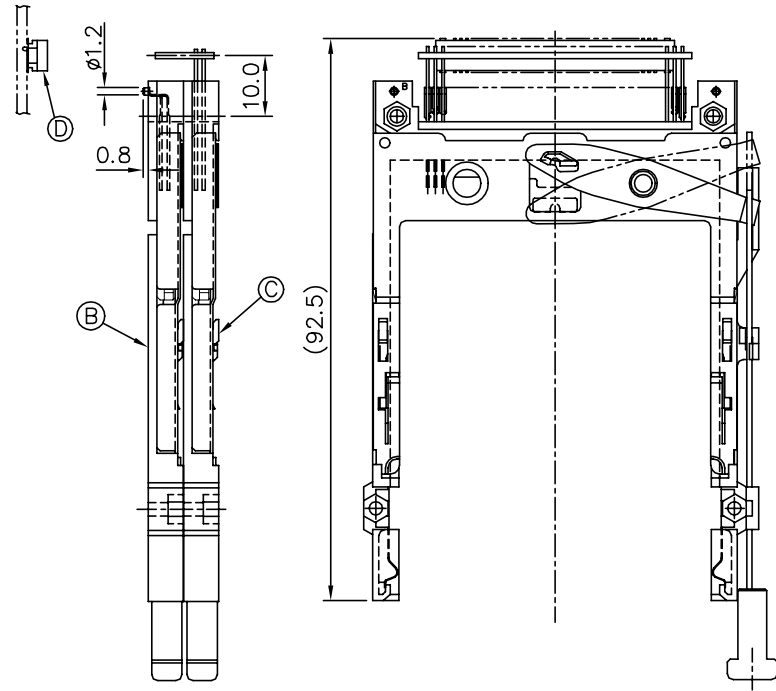
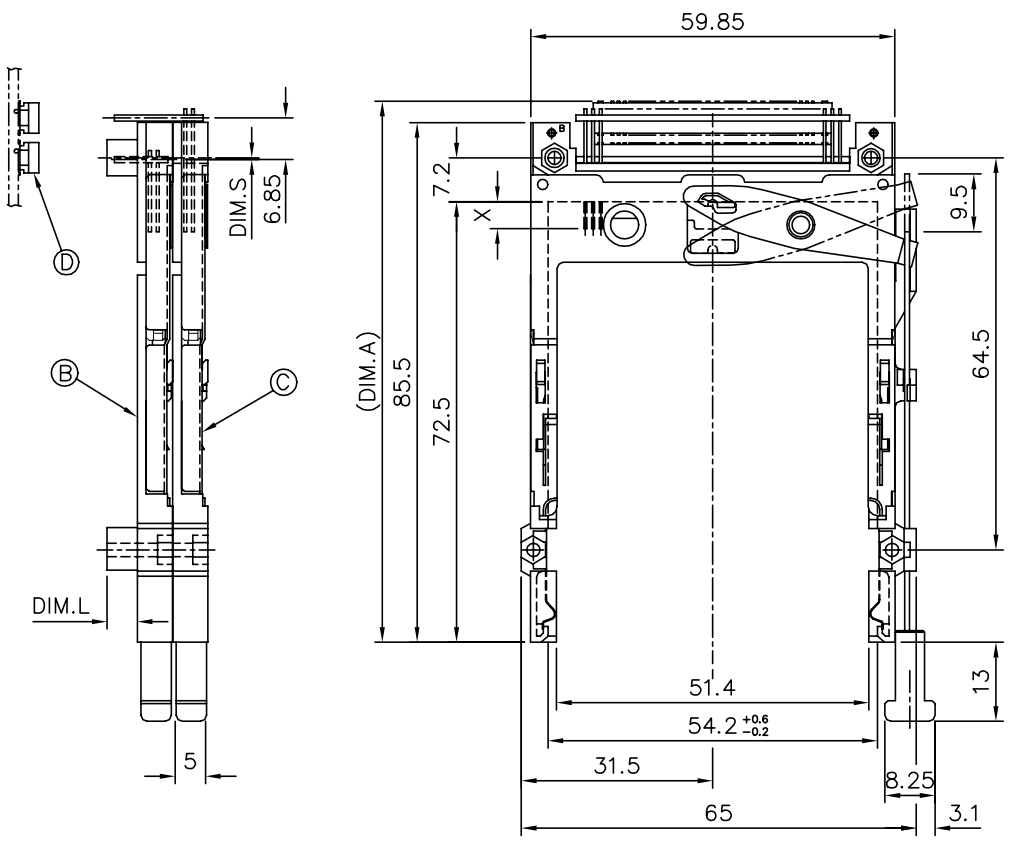
P/N : 95562-7\*\*CA/7\*\*CALF  
 ( BELOW P.C.B. )



P/N : 95562-700CA  
 ( BELOW P.C.B. )

mat'l code		tolerance unless otherwise specified		CUSTOMER COPY	www.fciconnect.com
rev.	ecn no.	dr	date	linear	
M					⊕
				angles	± 2°
		dr	WENDY CHEN 02/14/95	unit	mm/inch
		enrg	JOSEPH HSIA 02/14/95	size	dwg no.
		chr	JOSEPH HSIA 02/14/95	scale	1.2:1
		appd	LELAND WANG 02/14/95	A3	95562
sheet	revision				
index	sheet				


Tous droits strictement réservés. Reproduction ou communication à des tiers sans autorisation écrite du propriétaire.   
 Property of BERG ELECTRONICS.   
 Copyright BERG ELECTRONICS BV.   
 All rights strictly reserved. Reproduction or issue to third parties in any form without written authority from the proprietor.   
 Property of BERG ELECTRONICS.   
 Copyright BERG ELECTRONICS BV.



(A) PART NUMBER	DIM.L	DIM.S	DIM.A
95562-820CA	2.2	2.15	91.5
95562-840CA	4.3	-0.3	89.05
95562-850CA	5.0	-0.3	89.05
95562-820CALF	2.2	2.15	91.5
95562-840CALF	4.3	-0.3	89.05
95562-850CALF	5.0	-0.3	89.05

P/N : 95562-8\*\*CA/8\*\*CALF  
( BELOW P.C.B. )

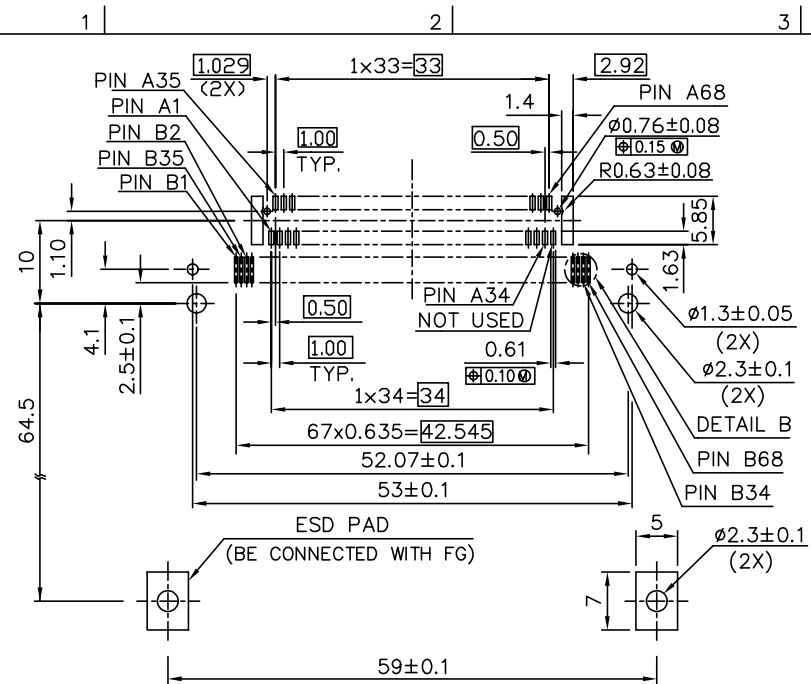
P/N : 95562-800CA  
( BELOW P.C.B. )

mat'l code		tolerance unless otherwise specified		CUSTOMER COPY	 www.fcconnect.com
rev.	ecn no.	dr	date	linear	
M					± 0.30
				angles	± 2°
		dr	WENDY CHEN 02/14/95	unit	mm/inch
		enr	JOSEPH HSIA 02/14/95	size	dwg no.
		chr	JOSEPH HSIA 02/14/95	scale	1.2:1
		app	LELAND WANG 02/14/95	A3	95562
sheet	revision				
index	sheet				

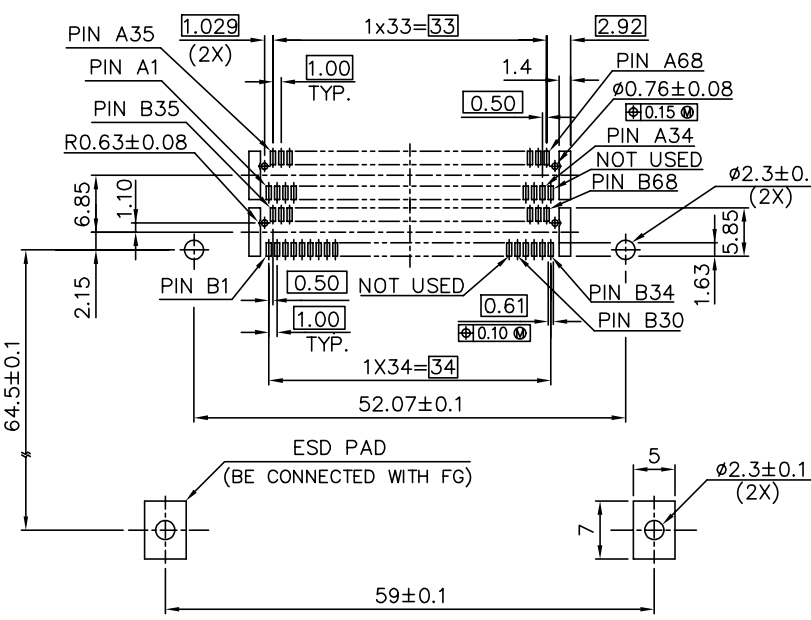
Tous droits strictement réservés. Reproduction ou communication à des tiers int  
 sous quelque forme que ce soit sans autorisation écrite du propriétaire.  
 Property of BERG ELECTRONICS.  
 Droits de reproduction BERG ELECTRONICS by

All rights strictly reserved. Reproduction or issue to third parties in any for  
 whatever is not permitted without written authority from the proprietor.  
 Property of BERG ELECTRONICS.  
 Copyright BERG ELECTRONICS by

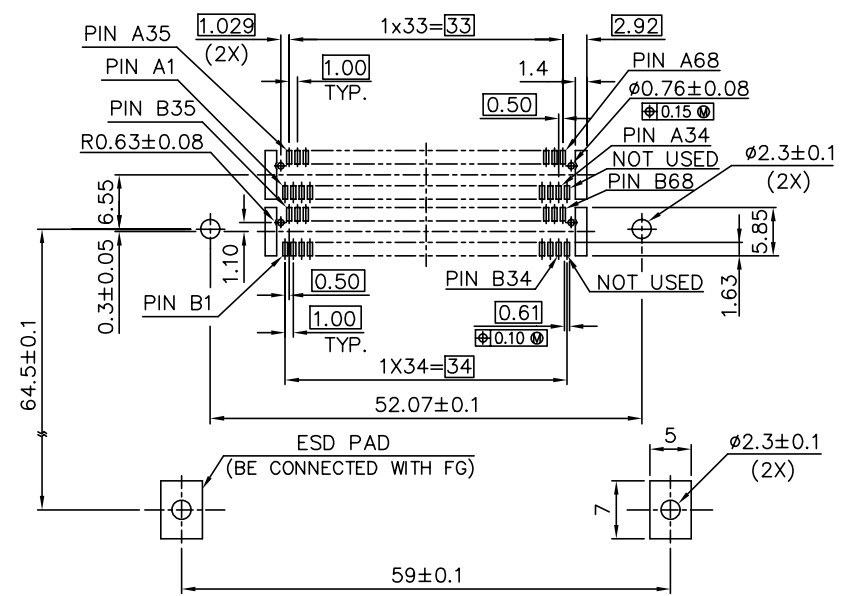
PRODUCT NO.	
95562-*****	
95562-*****LF	



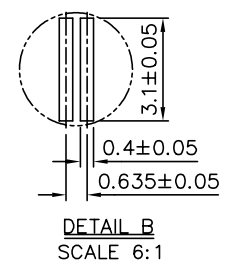
4 CARD INSERTION DIRECTION  
RECOMMENDED P.C.B. LAYOUT 1 (MOUNTED SIDE)



4 CARD INSERTION DIRECTION  
RECOMMENDED P.C.B. LAYOUT 2 (MOUNTED SIDE)



4 CARD INSERTION DIRECTION  
RECOMMENDED P.C.B. LAYOUT 3 (MOUNTED SIDE)

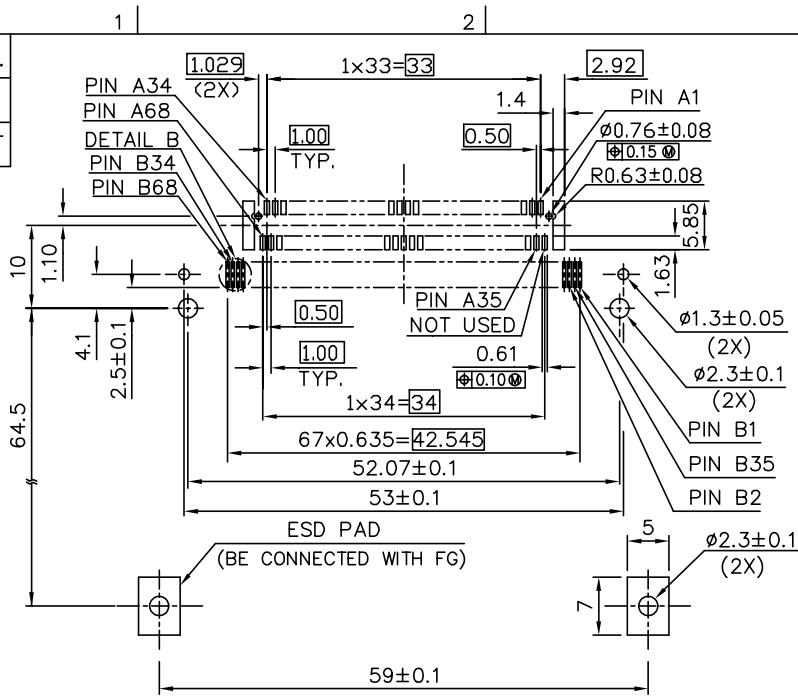


mat'l code		tolerance unless otherwise specified		CUSTOMER COPY		FCJ www.fciconnect.com	
rev.	ecn no.	dr	date	linear	±0.30	projection	title
M				angles	± 2'		EJECTOR HEADER ASS'Y 68POS.SMT TYPE 1/2/3
		dr	WENDY CHEN 02/08/95	unit	mm/inch	product family	PCMGGA code
		enrg	JOSEPH HSIA 02/08/95	size	A3	dwg no.	95562
		chr	JOSEPH HSIA 02/08/95	scale	1.5:1	sheet	7 OF
		appd	LELAND WANG 02/08/95				
sheet	revision						
index	sheet						

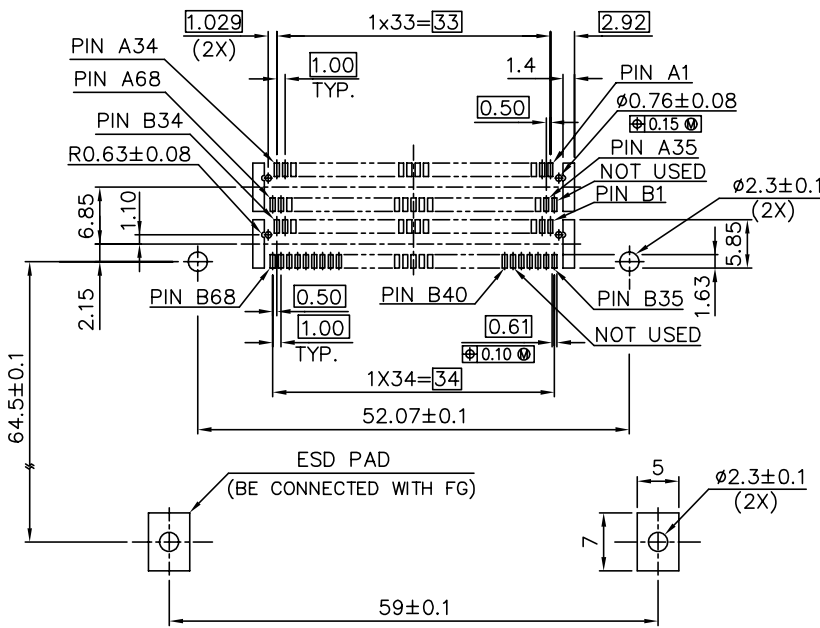
Tous droits strictement réservés. Reproduction ou communication à des tiers sans autorisation écrite du propriétaire.  
 Property of BERG ELECTRONICS.  
 Droits de reproduction BERG ELECTRONICS by

All rights strictly reserved. Reproduction or issue to third parties in any form without written authority from the proprietor.  
 Property of BERG ELECTRONICS.  
 Copyright BERG ELECTRONICS by

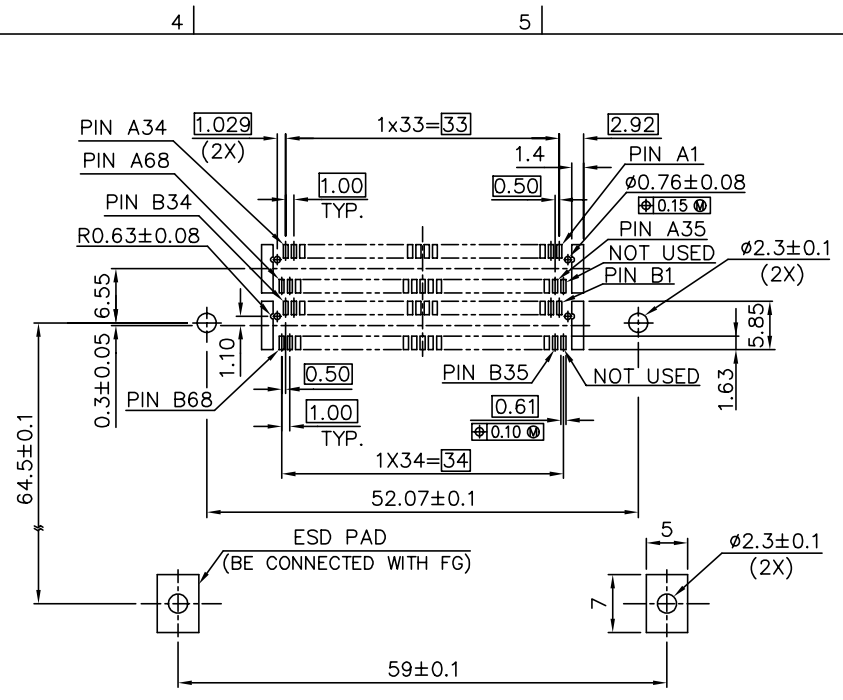
PRODUCT NO.	
95562-*****	
95562-*****LF	



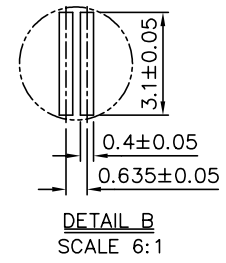
4 CARD INSERTION DIRECTION  
 RECOMMENDED P.C.B. LAYOUT 4 (MOUNTED SIDE)



4 CARD INSERTION DIRECTION  
 RECOMMENDED P.C.B. LAYOUT 5 (MOUNTED SIDE)



4 CARD INSERTION DIRECTION  
 RECOMMENDED P.C.B. LAYOUT 6 (MOUNTED SIDE)



mat'l code		tolerance unless otherwise specified		CUSTOMER COPY		 www.fciconnect.com	
rev.	ecn no.	dr	date	linear	±0.30	projection	title
M				angles	± 2'		EJECTOR HEADER ASS'Y 68POS.SMT TYPE 1/2/3
				dr	WENDY CHEN 02/08/95	unit	product family
				enr	JOSEPH HSIA 02/08/95	mm/inch	PCMGA
				chr	JOSEPH HSIA 02/08/95	scale	size
				appd	LELAND WANG 02/08/95	1.5:1	dwg no.
sheet	revision						product code
index	sheet						A3 95562
							sheet 8 of



1

2

3

4

5

6

NOTES:

1. 8mm MIN. CARD EJECT.
2. EJECT TRAVEL: 9.5mm
3. MATERIAL

3.1 HEADER ASS'Y :

PLASTIC :HOUSING ...HIGH TEMPERATURE THERMOPLASTIC UL94V-0 BLACK  
 PIN :COPPER ALLOY  
 PCB :FR4

3.2 EJECT MECHANISM ASS'Y :

PLASTIC :GUIDE:HIGH TEMPERATURE THERMOPLASTIC UL94V-0 BLACK  
 :BUTTON:HIGH TEMPERATURE THERMOPLASTIC UL94V-0 BLACK  
 PLATE :STAINLESS  
 EMI CONTACT:PHOSPHOR BRONZE

3.3 RECEPTACLE :

PLASTIC : HIGH TEMPERATURE THERMOPLASTIC UL94V-0, NATURAL.  
 PIN: BeCu

4. FINISH (PIN)

UNDER PLATING :0.5 $\mu$ m MIN. Ni  
 CONTACT AREA :0.076  $\mu$ m MIN. GOLD

SOLDER TAIL : 2.5 $\mu$ m MIN. Sn-Pb(FOR TIN LEAD OPTION)  
 : 2.5 $\mu$ m MIN. PURE TIN (FOR LEAD FREE OPTION)

⑤ PUSH ROD LOCATION AND P.C.B. SIDE ARE AS APPEARS INSTALLED.

6. DIM "X"

4.25 $\pm$ 0.1	3.5 $\pm$ 0.1	5.0 $\pm$ 0.1
OTHERS	36,67	1,17,34,35,51,68

7. DO NOT TOUCH AND KEEP CLEAN THE SURFACES OF PCB OF HEADER.
8. IF LEAD FREE P.N.THE HOUSING WILL WITHSTAND EXPOSURE TO 260°C PEAK TEMPERATURE FOR 10 SECONDS IN A WAVE SOLDER APPLICATION WITH A 1.00MM MINIMUM THICK CIRCUIT BOARD.
9. IF LEAD FREE P/N.THE PRODUCT MEETS EUROPEAN UNION DIRECTIVES AND OTHER COUNTRY REGULATIONS AS DESCRIBED IN GS-22-008
10. LEAD FREE P/N PACKAGING MEETS GS-14-920 SPECIFICATION
11. PRODUCT SPEC:110-263

PART NUMBER DESCRIPTION :

95562-□□□□□□□□

LEAD FREE OPTION : LF

CARDBUS TYPE

S: FORCE-SAVING

BUTTON COLOR

A : BLACK


C : 13.0 mm

STAND-OFF

00 : 0.0 mm  
 06 : 0.6 mm  
 20 : 2.0 mm  
 22 : 2.2 mm  
 40 : 4.0 mm  
 43 : 4.3 mm  
 50 : 5.0 mm

PUSH ROD

TOP MOUNT	BOTTOM MOUNT
0 : RIGHT-LEFT	5 : RIGHT-LEFT
1 : LEFT-RIGHT	6 : LEFT-RIGHT
2 : RIGHT-RIGHT	7 : RIGHT-RIGHT
3 : LEFT-LEFT	8 : LEFT-LEFT

mat'l code		tolerance unless otherwise specified		CUSTOMER COPY	 www.fciconnect.com
rev.	ecn no.	dr	date	linear	
M				angles	± 2°
dr WENDY CHEN		02/29/00		unit	mm/inch
enr JOSEPH HSIA		02/29/00		scale	1:1
chr JOSEPH HSIA		02/29/00		product family	PONCIA
appd LELAND WANG		02/29/00		size	A3
sheet		revision		title	
index		sheet		EJECTOR HEADER ASS'Y	
				68POS. SMT, TYPE 1/2/3	
				product family	
				code	
				size	
				dwg no.	
				95562	
				sheet	
				9 OF	

PDS: Rev :M

STATUS:Released

Printed: Sep 12, 2013

Tous droits strictement reserves. Reproduction ou communication a des tiers int sous quelque forme que ce soit sans autorisation ecrite du proprietaire. Propriete de c BERG ELECTRONICS. Droits de reproduction BERG ELECTRONICS by

FCJ

All rights strictly reserved. Reproduction or issue to third parties in any for whatever is not permitted without written authority from the proprietor. Property of c BERG ELECTRONICS. Copyright BERG ELECTRONICS by