

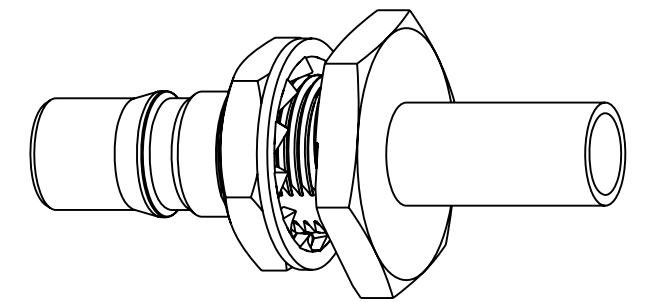
NOTES:

1. MATERIALS AND FINISHES:
 - BODY - BRASS, WHITE BRONZE PLATING (.000080" MIN THICK)
 - CONTACT - BERYLLIUM COPPER, GOLD PLATING (.000030" MIN THICK)
 - INSULATOR - PTFE
 - HEX NUT - BRASS, WHITE BRONZE PLATING (.000080" MIN THICK)
 - LOCK WASHER - PHOSPHOR BRONZE, NICKEL PLATING (.000100" MIN THICK)
 - O-RING: SILICONE RUBBER
2. ELECTRICAL:
 - A. IMPEDANCE: 50 OHM
 - B. FREQUENCY RANGE: DC - 11 GHz
 - C. VSWR(RETURN LOSS): 1.22 (20 dB) MAX 0-6 GHz
1.29 (18 dB) MAX 6-11 GHz
 - D. DIELECTRIC WITHSTANDING VOLTAGE: 1000 VRMS, MIN.
3. MECHANICAL:
 - A. DURABILITY: 100 CYCLES MIN.
 - B. TEMPERATURE RANGE: -40° C TO +85° C
4. PACKAGING:
 - A. QUANTITY: SINGLE PACK
 - B. MARKING: BAG TO BE MARKED
"AMPHENOL, 930-123J-51S, AND DATE CODE"
5. CABLE ASSEMBLY:
 - A. TRIM CABLE AS SHOWN
 - B. CRIMP USING TOOL 227-994, DIE SET 227-1221-37,
CAVITY "B" (.151 HEX)

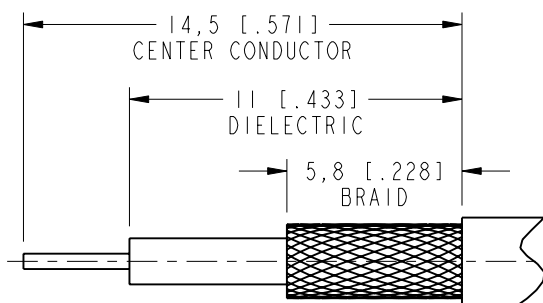
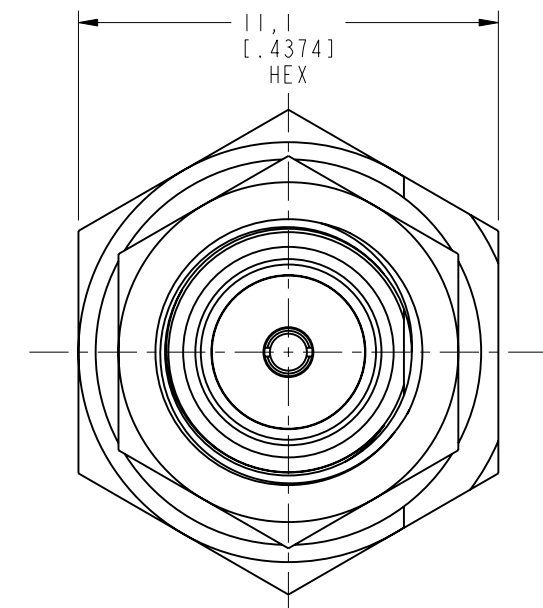
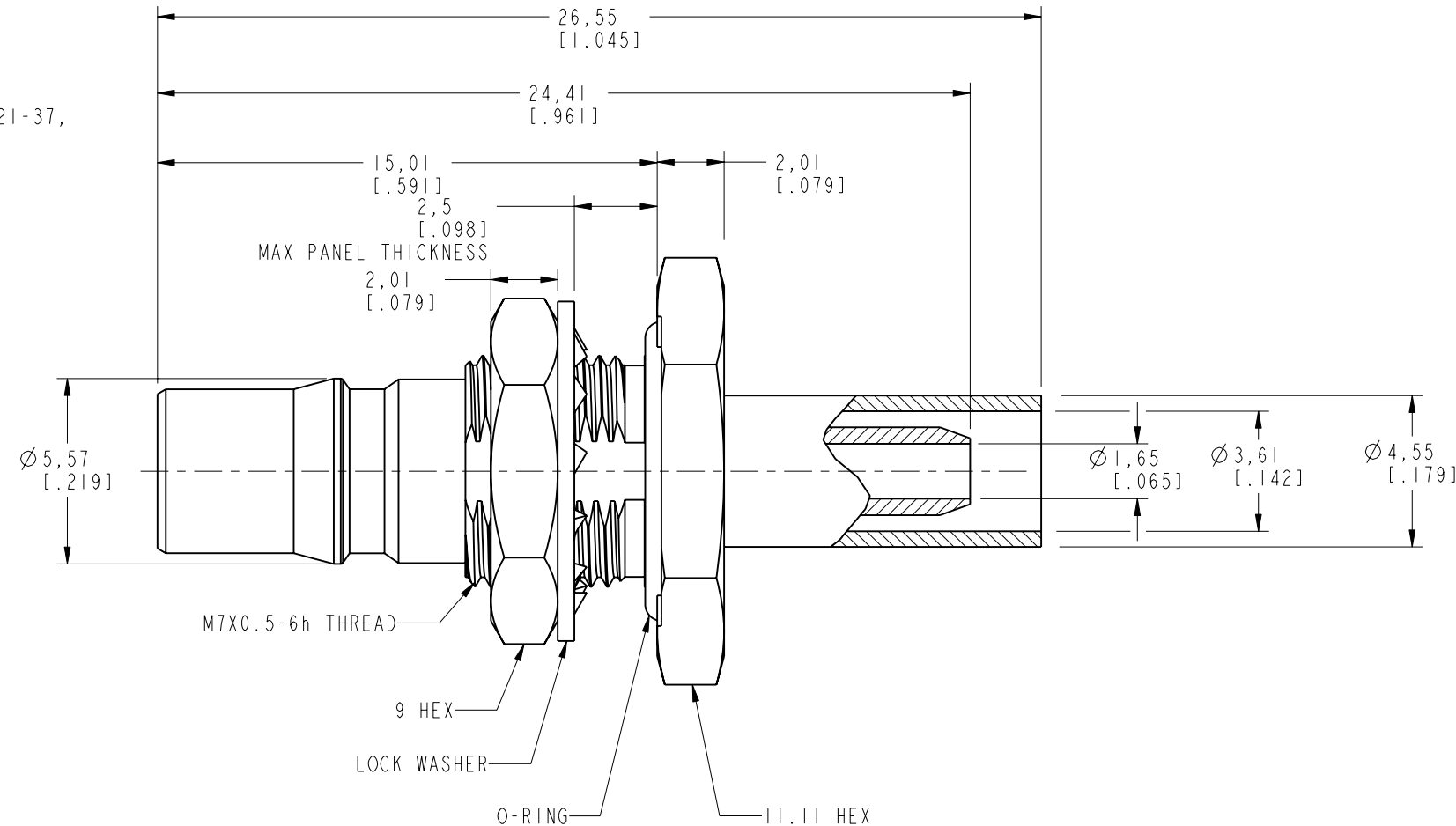
THIRD ANGLE PROJ.

REVISIONS

REV	DESCRIPTION	DATE	ECO	APPR
A	RELEASE TO MFG.	9/10/04	45139	
B	LOCK WASHER WAS CHANGED RD-DMI3120401R3	16-Dec-13	48614	RM
C	CHANGED NOTE 5.B. 0.151" WAS 0.128"	16-Dec-13	49264	RM



SCALE 3.000



RECOMMENDED CABLE TRIM DIMENSIONS
SCALE 4.000

CUSTOMER OUTLINE DRAWING

ALL OTHER SHEETS ARE FOR INTERNAL USE ONLY

UNLESS OTHERWISE SPECIFIED, DIMENSIONS ARE IN INCHES AND TOLERANCES ARE: 2 PLACE DECIMAL 3 PLACE DECIMAL $\pm .015$ (0,381 mm) $\pm .005$ (0,127 mm)	MATERIAL	DRAWN R. MAO	DATE 09-Dec-13	TITLE QMA JACK BULKHEAD TO RD-316	Amphenol RF www.amphenolrf.com
	NOTICE - These drawings, specifications, or other data (1) are, and remain the property of Amphenol corp. (2) must be returned upon request; and (3) are confidential and not to be disclosed to any person other than those to whom they are given by Amphenol Corp. the furnishing of these drawings, specifications, or other data by Amphenol Corp., or to any other person to anyone for any purpose is not to be regarded by implication or otherwise in any manner licensing, granting rights to permitting such holder or any other person to manufacture, use or sell any product, process or design, patented or otherwise, that may in any way be related to or disclosed by said drawings, specifications, or other data.	REFERENCE EAR# 1181 GEN# ASSYF7-QMA 615X-2017-100	ENGINEER M. HOYACK		
FINISH	APPROVED S. HSIEH	DATE 16-Dec-13	SCALE: 5.0:1.0 SHEET 2 OF 2	ITEM NO. 930-123J-51S	PART NO. 930-123J-51S
		CAD FILE	DWG SIZE B	REV C	