

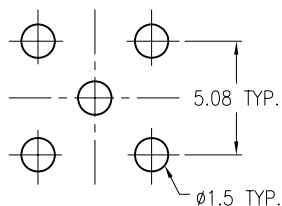
NOTES:

1. MATERIALS AND FINISHES
 - BODY - BRASS, GOLD OVER WHITE BRONZE PLATING
 - CONTACT - BERYLLIUM COPPER, GOLD OVER WHITE BRONZE PLATING
 - INSULATOR - PTFE
2. ELECTRICAL:
 - A. IMPEDANCE: 50 OHM
 - B. FREQUENCY RANGE: DC - 6 GHz
 - C. VSWR(RETURN LOSS): 1.05 (32 dB) TO 3 GHz
1.10 (26 dB) TO 6 GHz
 - D. DIELECTRIC WITHSTANDING VOLTAGE: 1000 VRMS, MIN.
3. MECHANICAL:
 - A. DURABILITY: 500 CYCLES MIN.
 - B. TEMPERATURE RANGE: -65° C TO 165° C

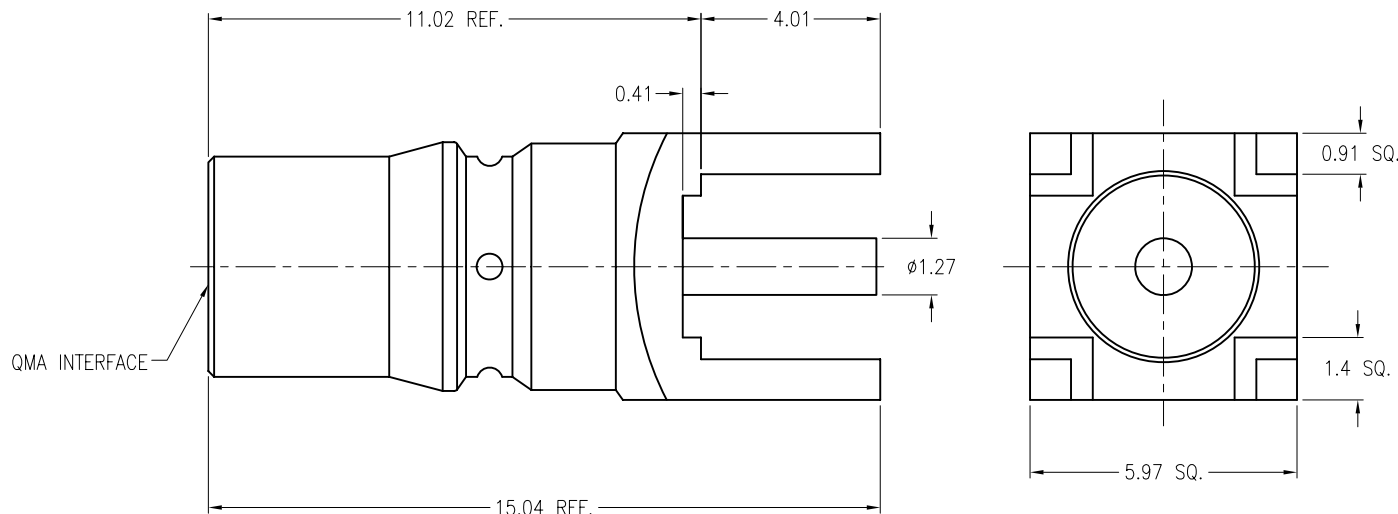
THIRD ANGLE PROJ.

REVISIONS

REV	DESCRIPTION	DATE	ECO	APPR
A	RELEASE TO MFG.			
A1	SEE SHEET 1 \ RD-DM06110101K	01-11-06'		
B	SEE SHEET 1 \ RD-DM06110101K	11-10-06'		KL
C	SEE SHEET 1 \ RD-DM07122401K	12-31-07'		KL
D	SEE SHEET 1 \ RD-DM09071601K	10-Aug-09	47656	SH



PCB MOUNTING HOLE



CUSTOMER OUTLINE DRAWING

ALL OTHER SHEETS ARE FOR INTERNAL USE ONLY

UNLESS OTHERWISE SPECIFIED, DIMENSIONS ARE IN METRIC AND TOLERANCES ARE: 0.5 - 6mm ±0.1mm 6 - 30mm ±0.2mm 30 - 120mm ± 0.3mm ANGLES ±1°	MATERIAL	DRAWN K.LI	DATE 21-Jul-09	TITLE QMA (F) STR TO PCB		Amphenol RF Danbury CT USA, Tainan Taiwan, Shenzhen China www.amphenolrf.com	
	NOTICE - These drawings, specifications, or other data (1) are, and remain the property of Amphenol Corp. (2) must be returned upon request; and (3) are confidential and not to be disclosed to any person other than those to whom they are given by Amphenol Corp. The furnishing of these drawings, specifications, or other data by Amphenol Corp., or to any other person to anyone for any purpose is not to be regarded by implication or otherwise in any manner licensing, granting rights or permitting such holder or any other person to manufacture, use or sell any product, process or design, patented or otherwise, that may in any way be related to or disclosed by said drawings, specifications, or other data.	REFERENCE	ENGINEER C.WANG	DATE 12-31-07'	SCALE: 6/1		DRAWING NO. 930-116J-51P
APPROVED S.HSIEH			DATE 21-Jul-09	SHEET 2 OF 2	ITEM NO. 930-116J-51P		
FINISH	F:\CNPD\930\116J\51P-DSZ	DWG SIZE B	CODE ID 74868	REV D	PART NO. 930-116J-51P		