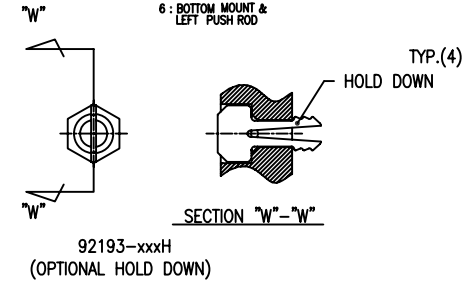
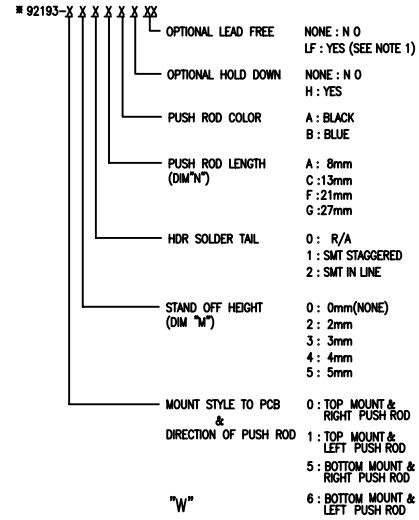


PRODUCT NO.
92193

PRODUCT NO. *92193-XXXXX	STAND OFF(mm)	DIM "N" (mm)	PUSH ROD COLOR	HDR SOLDER TAIL	HOLD DOWN	MECH ASSY 92192-XXXXX	HDR ASSY 92140-XXXX	DIM "P" (mm)	HDR COLOR	SHEET NO.	MOUNT STYLE TO PCB & DIRECTION OF PUSH ROD
000AA	0	8	BLACK	R/A	NONE	00AA	000	2.8			
000CA	0	13	BLACK	R/A	NONE	00CA	000	2.8			
000CAH	0	13	BLACK	R/A	YES	00CAH	000H	2.8			
000CB	0	13	BLUE	R/A	NONE	00CB	000	2.8			
000CBH	0	13	BLUE	R/A	YES	00CBH	000H	2.8			
000FA	0	21	BLACK	R/A	YES	00FA	000	2.8			
001AA	0	8	BLACK	SMT STAGGERED	NONE	00AA	001	--	BLACK	NO.2	
001AAH	0	8	BLACK	SMT STAGGERED	YES	00AAH	001H	--			
001CA	0	13	BLACK	SMT STAGGERED	NONE	00CA	001	--			
001CAH	0	13	BLACK	SMT STAGGERED	YES	00CAH	001H	--			
001FA	0	21	BLACK	SMT STAGGERED	NONE	00FA	001	--			
001FAH	0	21	BLACK	SMT STAGGERED	YES	00FAH	001H	--			
002CA	0	13	BLACK	SMT IN LINE	NONE	00CA	002	--			
002CAH	0	13	BLACK	SMT IN LINE	YES	00CAH	002H	--			
020CA	2	13	BLACK	R/A	NONE	02CA	040	2.5	BLACK	NO.3	
040CA	4	13	BLACK	R/A	NONE	04CA	010	2.8			
050CA	5	13	BLACK	R/A	NONE	05CA	020	2.8			
050CAH	5	13	BLACK	R/A	YES	05CAH	020H	2.8			
100CA	0	13	BLACK	R/A	NONE	10CA	000	2.8			
100CAH	0	13	BLACK	R/A	YES	10CAH	000H	2.8			
101CA	0	13	BLACK	SMT STAGGERED	NONE	10CA	001	--	BLACK	NO.4	
101CAH	0	13	BLACK	SMT STAGGERED	YES	10CAH	001H	--			
101FA	0	21	BLACK	SMT STAGGERED	NONE	10FA	001	--			
101FAH	0	21	BLACK	SMT STAGGERED	YES	10FAH	001H	--			
102CA	0	13	BLACK	SMT IN LINE	NONE	10CA	002	--			
102CAH	0	13	BLACK	SMT IN LINE	YES	10CAH	002H	--			
120CA	2	13	BLACK	R/A	NONE	12CA	040	2.5	BLACK	NO.5	
120GALF	2	27	BLACK	R/A	NONE	12GALF	040	2.5			
120FA	2	21	BLACK	R/A	NONE	12FA	040	2.5			
130CA	3	13	BLACK	R/A	NONE	13CA	050	2.8			
130CAH	3	13	BLACK	R/A	YES	13CAH	050H	2.8			
140CA	4	13	BLACK	R/A	NONE	14CA	010	2.8			
150CA	5	13	BLACK	R/A	NONE	15CA	020	2.8			
500CA	0	13	BLACK	R/A	NONE	10CA	500	2.8			
500CAH	0	13	BLACK	R/A	YES	10CAH	500H	2.8			
500FA	0	21	BLACK	R/A	NONE	10FA	500	2.8	NATURAL	NO.6	
501CA	0	13	BLACK	SMT STAGGERED	NONE	10CA	501	--			
501CAH	0	13	BLACK	SMT STAGGERED	YES	10CAH	501H	--			
502CA	0	13	BLACK	SMT IN LINE	NONE	10CA	502	--			
502CAH	0	13	BLACK	SMT IN LINE	YES	10CAH	502H	--			
502FA	0	21	BLACK	SMT IN LINE	NONE	10FA	502	--			
520CA	2	13	BLACK	R/A	NONE	12CA	540	2.5	NATURAL	NO.7	
540CA	4	13	BLACK	R/A	NONE	14CA	510	2.8			
550CA	5	13	BLACK	R/A	NONE	15CA	520	2.8			
600CA	0	13	BLACK	R/A	NONE	00CA	500	2.8			
600CAH	0	13	BLACK	R/A	YES	00CAH	500H	2.8			
601CA	0	13	BLACK	SMT STAGGERED	NONE	00CA	501	--	NATURAL	NO.8	
601CAH	0	13	BLACK	SMT STAGGERED	YES	00CAH	501H	--			
602CA	0	13	BLACK	SMT IN LINE	NONE	00CA	502	--			
602CAH	0	13	BLACK	SMT IN LINE	YES	00CAH	502H	--			
620CA	2	13	BLACK	R/A	NONE	02CA	540	2.5	NATURAL	NO.9	
640CA	4	13	BLACK	R/A	NONE	04CA	510	2.8			
650CA	5	13	BLACK	R/A	NONE	05CA	520	2.8			

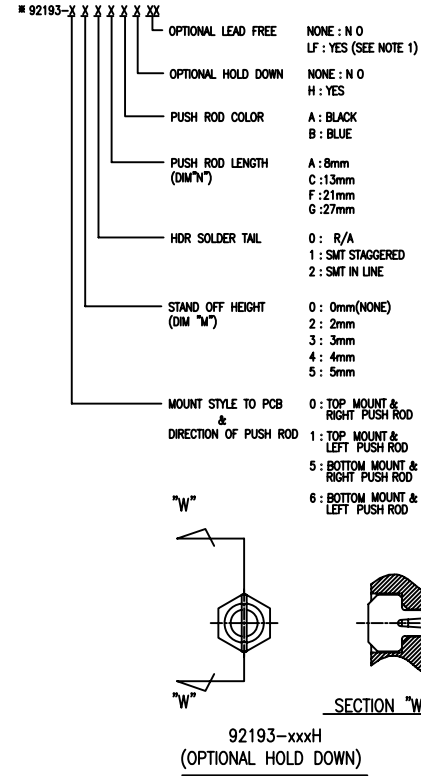


NOTE
1. THIS PRODUCT MEETS EUROPEAN UNION DIRECTIVES AND OTHER COUNTRY REGULATIONS AS DESCRIBED IN GS-22-008.

mat'l. code		surface		tolerance		projection		product family	
		ISO1302		ISO1101 ISO406				PCMCIA	
ltr		ecn no		dr		date		title	
U		N07-0026		DT		1/29/07		68P EJECTOR HEADER ASSY	
V		N09-0163		SH		6/3/09		FOR TYPE I/II/III (FOR 5.0V)	
W		ELX-N-011429		ZK		04/02/12		scale 1:1	
X		ELX-N-20917		J.H		05/21/15		sheet. 1 of 10 size	
				dr		M.Hasegawa		4/25/05	
				engr		M.Hasegawa		4/25/05	
				chr		M.Hasegawa		4/25/05	
				appd		M.Hasegawa		4/25/05	
sheet		revision		x		x		x	
index		sheet		1		2		3	
				4		5		6	
				7		8		9	
				10					
								type	
								Product Customer Drawing	

PRODUCT NO.
92193

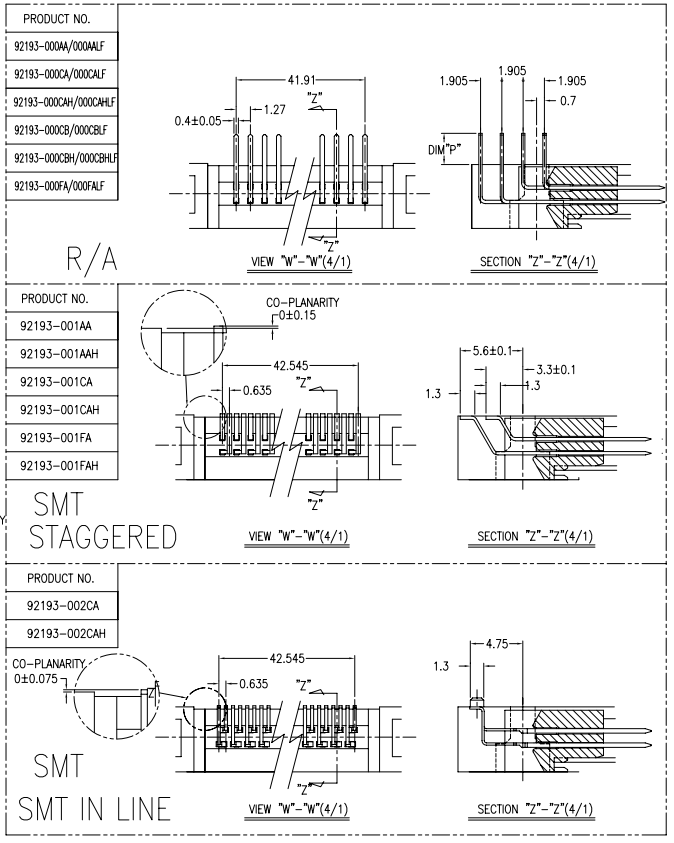
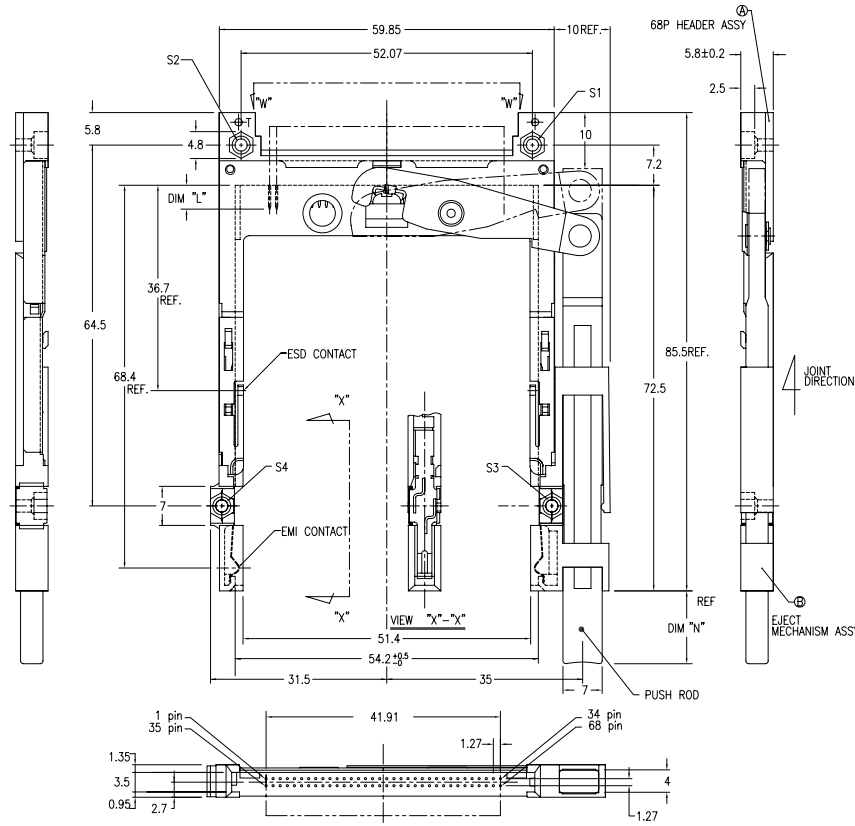
PRODUCT NO. *92193-XXXXX	STAND OFF(mm)	DIM "N" (mm)	PUSH ROD COLOR	HDR SOLDER TAIL	HOLD DOWN	MECH ASSY 92192-XXXXX	HDR ASSY 92140-XXXXX	DIM "P" (mm)	HDR COLOR	SHEET NO.	MOUNT STYLE TO PCB & DIRECTION OF PUSH ROD	
000AALF	0	8	BLACK	R/A	NONE	00AA	000LF	2.8	BLACK	NO.2	TOP MOUNT TO PCB & RIGHT PUSH ROD	
000CALF	0	13	BLACK	R/A	NONE	00CA	000LF	2.8				
000CAHLF	0	13	BLACK	R/A	YES	00CAH	000HLF	2.8				
000CBLF	0	13	BLUE	R/A	NONE	00CB	000LF	2.8				
000CBHLF	0	13	BLUE	R/A	YES	00CBH	000HLF	2.8				
000FALF	0	21	BLACK	R/A	YES	00FA	000LF	2.8				
001AA	0	8	BLACK	SMT STAGGERED	NONE	00AA	001	-				
001AAH	0	8	BLACK	SMT STAGGERED	YES	00AAH	001H	-				
001CA	0	13	BLACK	SMT STAGGERED	NONE	00CA	001	-				
001CAH	0	13	BLACK	SMT STAGGERED	YES	00CAH	001H	-				
001FA	0	21	BLACK	SMT STAGGERED	NONE	00FA	001	-				
001FAH	0	21	BLACK	SMT STAGGERED	YES	00FAH	001H	-				
002CA	0	13	BLACK	SMT IN LINE	NONE	00CA	002	-				
002CAH	0	13	BLACK	SMT IN LINE	YES	00CAH	002H	-				
020CALF	2	13	BLACK	R/A	NONE	02CA	040LF	2.5	BLACK	NO.3	TOP MOUNT TO PCB & LEFT PUSH ROD	
040CALF	4	13	BLACK	R/A	NONE	04CA	010LF	2.8				
050CALF	5	13	BLACK	R/A	NONE	05CA	020LF	2.8				
050CAHLF	5	13	BLACK	R/A	YES	05CAH	020HLF	2.8				
100CALF	0	13	BLACK	R/A	NONE	10CA	000LF	2.8				
100CAHLF	0	13	BLACK	R/A	YES	10CAH	000HLF	2.8				
101CA	0	13	BLACK	SMT STAGGERED	NONE	10CA	001	-				
101CAH	0	13	BLACK	SMT STAGGERED	YES	10CAH	001H	-				
101FA	0	21	BLACK	SMT STAGGERED	NONE	10FA	001	-				
101FAH	0	21	BLACK	SMT STAGGERED	YES	10FAH	001H	-				
102CA	0	13	BLACK	SMT IN LINE	NONE	10CA	002	-				
102CAH	0	13	BLACK	SMT IN LINE	YES	10CAH	002H	-				
120CALF	2	13	BLACK	R/A	NONE	12CA	040LF	2.5				
120GALF	2	13	BLACK	R/A	NONE	12GALF	040LF	2.5				
120CAHLF	2	13	BLACK	R/A	YES	12CAH	040HLF	2.5				
120FALF	2	21	BLACK	R/A	NONE	12FA	040LF	2.5				
130CALF	3	13	BLACK	R/A	NONE	13CA	050LF	2.8				
130CAHLF	3	13	BLACK	R/A	YES	13CAH	050HLF	2.8				
140CALF	4	13	BLACK	R/A	NONE	14CA	010LF	2.8				
150CALF	5	13	BLACK	R/A	NONE	15CA	020LF	2.8				
500CALF	0	13	BLACK	R/A	NONE	10CA	500LF	2.8				
500CAHLF	0	13	BLACK	R/A	YES	10CAH	500HLF	2.8				
500FALF	0	21	BLACK	R/A	NONE	10FA	500LF	2.8				
501CA	0	13	BLACK	SMT STAGGERED	NONE	10CA	501	-	NATURAL	NO.6	BOTTOM MOUNT TO PCB & RIGHT PUSH ROD	
501CAH	0	13	BLACK	SMT STAGGERED	YES	10CAH	501H	-				
502CA	0	13	BLACK	SMT IN LINE	NONE	10CA	502	-				
502CAH	0	13	BLACK	SMT IN LINE	YES	10CAH	502H	-				
502FA	0	21	BLACK	SMT IN LINE	NONE	10FA	502	-				
520CALF	2	13	BLACK	R/A	NONE	12CA	540LF	2.5				
540CALF	4	13	BLACK	R/A	NONE	14CA	510LF	2.8	NATURAL	NO.7		BOTTOM MOUNT TO PCB & LEFT PUSH ROD
550CALF	5	13	BLACK	R/A	NONE	15CA	520LF	2.8				
600CALF	0	13	BLACK	R/A	NONE	00CA	500LF	2.8				
600CAHLF	0	13	BLACK	R/A	YES	00CAH	500HLF	2.8				
601CA	0	13	BLACK	SMT STAGGERED	NONE	00CA	501	-	NATURAL	NO.8	BOTTOM MOUNT TO PCB & LEFT PUSH ROD	
601CAH	0	13	BLACK	SMT STAGGERED	YES	00CAH	501H	-				
602CA	0	13	BLACK	SMT IN LINE	NONE	00CA	502	-				
602CAH	0	13	BLACK	SMT IN LINE	YES	00CAH	502H	-				
620CALF	2	13	BLACK	R/A	NONE	02CA	540LF	2.5				
640CALF	4	13	BLACK	R/A	NONE	04CA	510LF	2.8	NATURAL	NO.9		
650CALF	5	13	BLACK	R/A	NONE	05CA	520LF	2.8				



NOTE
1. THIS PRODUCT MEETS EUROPEAN UNION REGULATIONS AS DESCRIBED IN GS-22-008. DIRECTIVES AND OTHER COUNTRY

mat'l. code	surface ISO1302	tolerance ISO1101 ISO406	projection	product family PCMCIA
ltr	ecn no	dr	date	title
x				68P EJECTOR HEADER ASSY FOR TYPE I/II/III (FOR 5.0V)
	angles	internal	0.X±0.3	MM
		0°±2'	0.XX±0.13	scale 1:1
	dr	M.Hasegawa	4/25/05	FCI
	engr	M.Hasegawa	4/25/05	dwg no
	chr	M.Hasegawa	4/25/05	92193
	appd	M.Hasegawa	4/25/05	sheet. 2 of 10
sheet index	revision sheet			size A4
				type Product Customer Drawing

PRODUCT NO.
92193-00*****



- NOTE**
- EJECT FORCE 3.5kg MAX.
 - ASSY PROCESS
 - TO MOUNT PART ④ ON PWB WITH SCREW (S1,S2) AND SOLDER
 - TO JOINT PART ⑤ INTO PART ④, THEN FIX PART ⑥ WITH 2 SCREWS (S3,S4).
 - EJECT TRAVEL 8.0mm
 - MATERIAL
 - PART ④ (HEADER ASSY)
 - HOUSING : HIGH TEMPERATURE THERMOPLASTIC UL94V-0
 - PIN : PHOSPHOR BRONZE
 - PART ⑤ (EJECT MECHANISM ASSY)
 - GUIDE : HIGH TEMPERATURE THERMOPLASTIC UL94V-0 BLACK
 - PUSH ROD : FLAME RETARDANT UL94V-0
 - PLATE : STAINLESS
 - EMI CONTACT : PHOSPHOR BRONZE
 - OPTIONAL HOLD-DOWN : BRASS

- ⑤ FINISH**
- 5.1 PIN
- UNDER PLATING : 0.5µm MIN. Ni
 CONTACT AREA : 0.076 µm MIN. GOLD
 SOLDER TAIL : 2.5µm MIN. Sn-Pb OR 2.5µm MIN. PURE Sn (FOR -*****L)
- 5.2 EMI CONTACT
- UNDER PLATING : 2.0µm MIN. Ni
 CONTACT AREA : 0.076 µm MIN. GOLD
- 5.3 OPTIONAL HOLD-DOWN : 2.5µm MIN. PURE Sn.
6. PIN NO.
- | PIN No. | DIM "L" | | |
|---------|----------|---------|---------|
| | 4.25±0.1 | 3.5±0.1 | 5.0±0.1 |
| OTHERS | 36.67 | 36.27 | 36.27 |
7. SEE TA-946 FOR PCB LAYOUT.
 8. SEE 92140 FOR DETAILED HDR DIMENSION.
 9. SEE SHEET1,2 REGARDING COMPONENTS.
 10. GENERAL TOLERANCE : ±0.3
 11. PRODUCT SPEC:110-263

PRODUCT NO.

92193-001AA

92193-001AAH

92193-001CA

92193-001CAH

92193-001FA

92193-001FAH

PRODUCT NO.

92193-002CA

92193-002CAH

CO-PLANARITY
0±0.075

SMT
SMT IN LINE

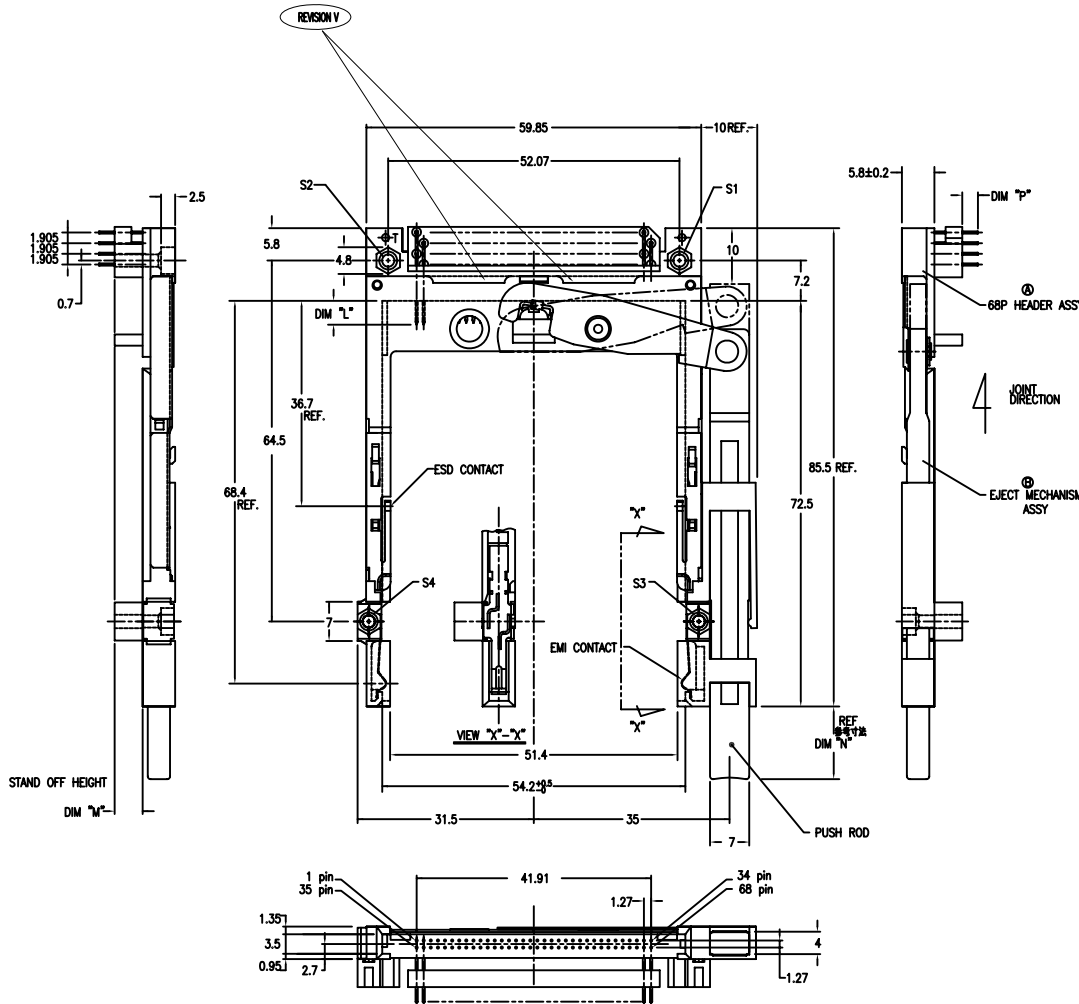
mat'l. code	surface	tolerance	projection
	ISO1302	ISO1101 ISO406	
lfr	ecn no	dr	date
x			
	angles	0.X±0.3	0.XX±0.13
	0°±2'	0.XXX±0.051	
dr	M.Hasegawa	4/25/05	
engr	M.Hasegawa	4/25/05	
chr	M.Hasegawa	4/25/05	
app	M.Hasegawa	4/25/05	

product family	title	dwg no	sheet. 3 of 10	size
PCMCIA	68P EJECTOR HEADER ASSY FOR TYPE I/II/III (FOR 5.0V)	92193		A4
type Product Customer Drawing				

sheet index	revision sheet



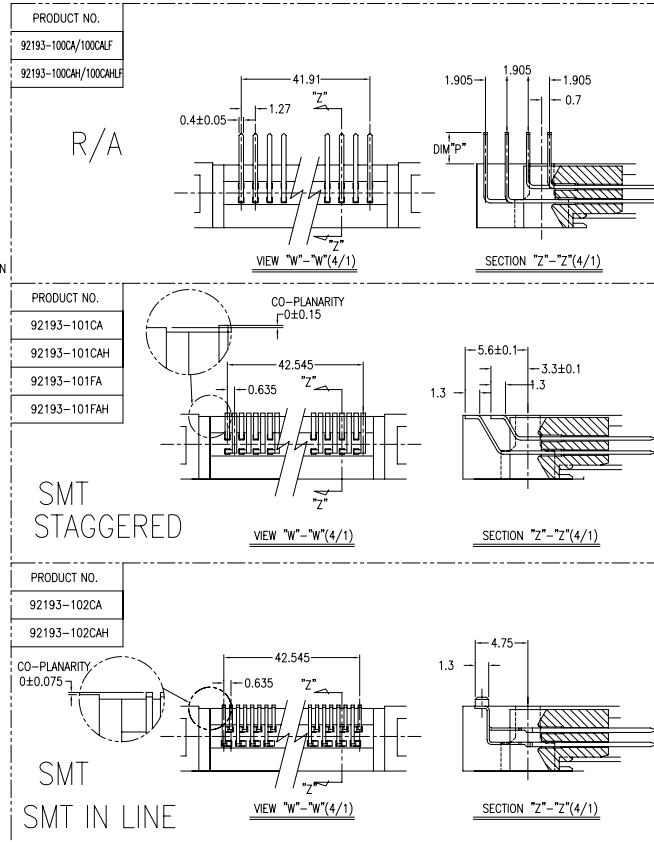
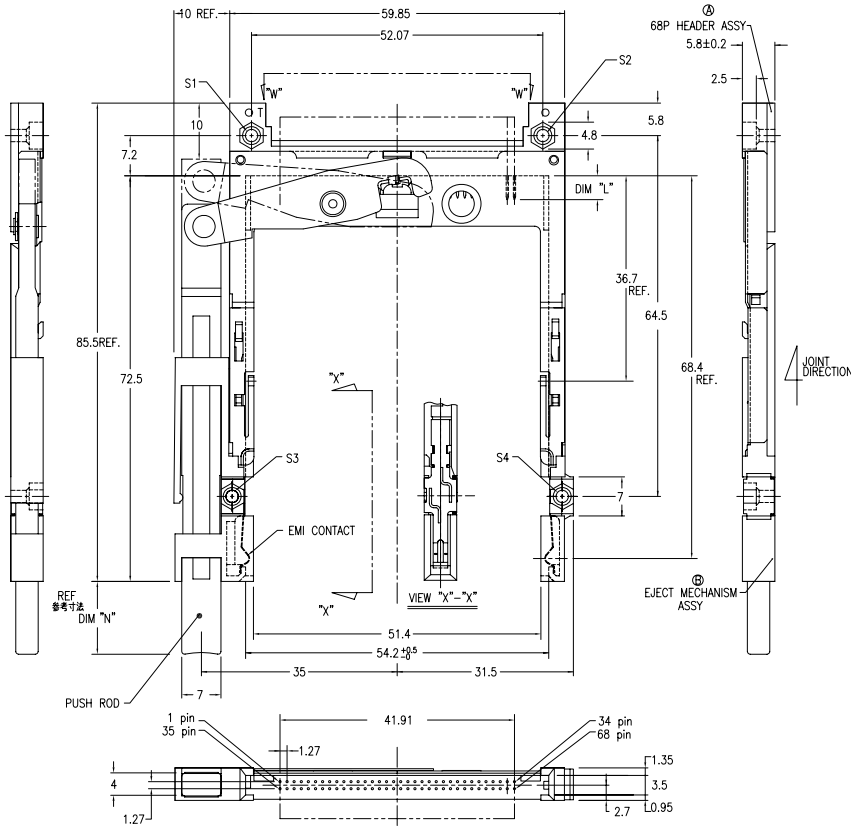
PRODUCT NO.
92193-020CA/020CAL
92193-040CA/040CAL
92193-050CA/050CAL
92193-060CA/060CAL



- NOTE
- EJECT FORCE 3.5kg MAX.
 - ASSY PROCESS
2.1 TO MOUNT PART ① ON PWB WITH SCREW (S1,S2) AND SOLDER.
2.2 TO JOINT PART ② INTO PART ③, THEN FIX PART ④ WITH 2 SCREWS (S3,S4).
 - EJECT TRAVEL 8.0mm
 - MATERIAL
4.1 PART ① (HEADER ASSY)
HOUSING : HIGH TEMPERATURE THERMOPLASTIC UL94V-0
PIN : PHOSPHOR BRONZE
4.2 PART ② (EJECT MECHANISM ASSY)
GUIDE : HIGH TEMPERATURE THERMOPLASTIC UL94V-0 BLACK
PUSH ROD : FLAME RETARDANT UL94V-0
PLATE : STAINLESS
EMI CONTACT : PHOSPHOR BRONZE
STANDOFF : ZINC ALLOYS DIE CASTING
 - FINISH
5.1 PIN
UNDER PLATING : 0.5µm MIN. Ni
CONTACT AREA : 0.076 µm MIN. GOLD
SOLDER TAIL : 2.5µm MIN. Sn-Pb
OR 2.5µm MIN. PURE Sn.(FOR -*****LF)
5.2 EMI CONTACT
UNDER PLATING : 2.0µm MIN. Ni
CONTACT AREA : 0.076 µm MIN. GOLD
5.3 STAND OFF : 3 ~5µm Ni, OVER 5 ~10µm Cu.
 - PIN NO.
- | | | |
|---------|----------|---------|
| | DIM 'L' | |
| | 4.25±0.1 | 5.0±0.1 |
| PIN No. | OTHERS | 36.67 |
- SEE TA-946 FOR PCB LAYOUT.
 - SEE 92140 FOR DETAILED HDR DIMENSION.
 - SEE SHEET 1,2 REGARDING COMPONENTS.
 - GENERAL TOLERANCE : ±0.3.
 - PRODUCT SPEC:110-263

mat'l. code	surface	tolerance	projection	product family
	ISO1302	ISO1101 ISO406		PCMCIA
ltr	ecn no	dr	date	title
x				68P EJECTOR HEADER ASSY FOR TYPE I/II/III (FOR 5.0V)
				dwg no
				sheet. 4 of 10 size
				92193 A4
				type Product Customer Drawing
sheet	revision			
index	sheet			

PRODUCT NO.	92193-101FA
92193-100A/100CALF	92193-101FAH
92193-100AH/100CHLF	92193-102CA
92193-101CA	92193-102CAH
92193-101CAH	

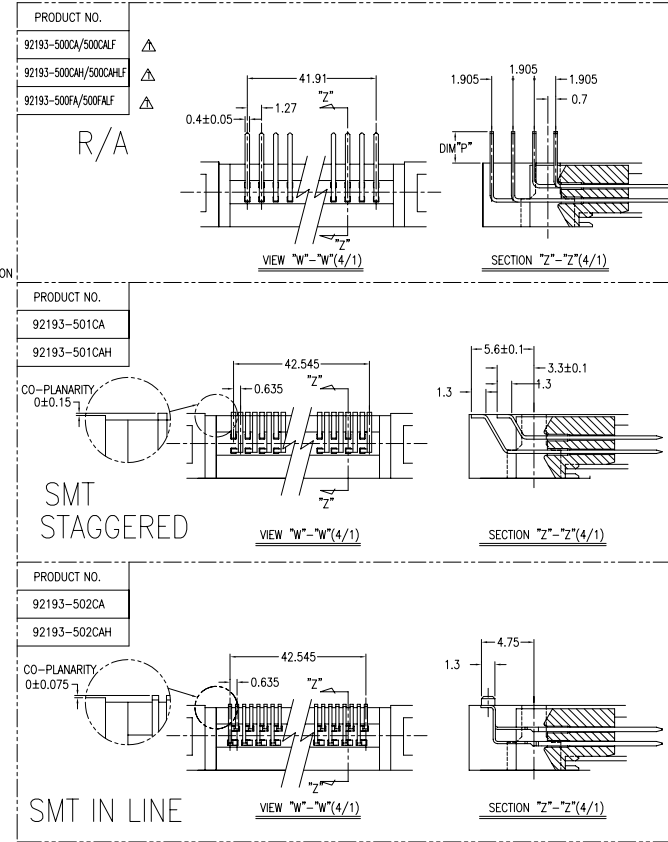
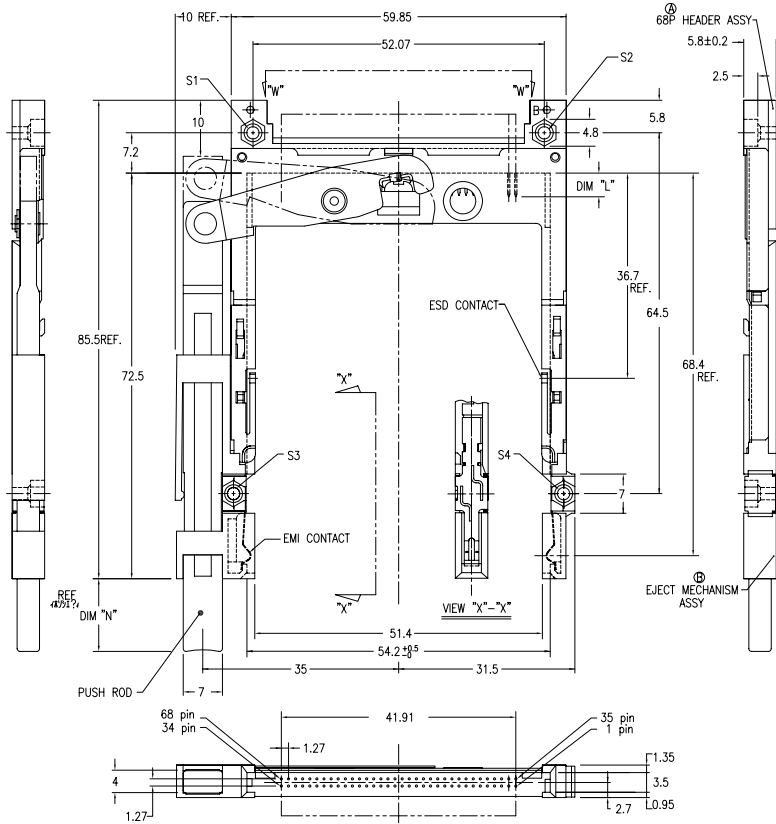


- NOTE
- EJECT FORCE 3.5kg MAX.
 - ASSY PROCESS
 - TO MOUNT PART ① ON PWB WITH SCREW (S1,S2) AND SOLDER.
 - TO JOINT PART ② INTO PART ①, THEN FIX PART ③ WITH 2 SCREWS (S3,S4).
 - EJECT TRAVEL 8.0mm
- ① MATERIAL
- PART ① (HEADER ASSY)
 - HOUSING : HIGH TEMPERATURE THERMOPLASTIC UL94V-0
 - PIN : PHOSPHOR BRONZE
 - PART ② (EJECT MECHANISM ASSY)
 - GUIDE : HIGH TEMPERATURE THERMOPLASTIC UL94V-0 BLACK
 - PUSH ROD : FLAME RETARDANT UL94V-0
 - PLATE : STAINLESS
 - EMI CONTACT : PHOSPHOR BRONZE
 - OPTIONAL HOLD-DOWN : BRASS

- ② FINISH
- PIN
 - UNDER PLATING : 0.5µm MIN. Ni
 - CONTACT AREA : 0.076 µm MIN. GOLD
 - SOLDER TAIL : 2.5µm MIN. Sn-Pb OR 2.5µm MIN. PURE Sn.(FOR -*****LF)
 - EMI CONTACT
 - UNDER PLATING : 2.0µm MIN. Ni
 - CONTACT AREA : 0.076 µm MIN. GOLD
 - OPTIONAL HOLD-DOWN : 2.5µm MIN. PURE Sn
6. PIN NO.
- | PIN No. | 4.25±0.1 | DIM "L" | 3.5±0.1 | 5.0±0.1 |
|---------|----------|---------|---------|-----------|
| OTHERS | 36.67 | | 31.74 | 38.17±0.8 |
- SEE TA-946 FOR PCB LAYOUT.
 - SEE 92140 FOR DETAILED HDR DIMENSION.
 - SEE SHEET 1,2 REGARDING COMPONENTS.
 - GENERAL TOLERANCE : ±0.3
 - PRODUCT SPEC:110-263

mat'l. code	surface	tolerance	projection	product family
	ISO1302	ISO1101 ISO406		PCMCIA
lfr	ecn no	dr	date	title
				68P EJECTOR HEADER ASSY FOR TYPE I/II/III (FOR 5.0V)
x			angles	dwg no
			0°±2'	sheet. 5 of 10
			0°±2'	size
	dr	M.Hasegawa	4/25/05	92193
	engr	M.Hasegawa	4/25/05	A4
	chr	M.Hasegawa	4/25/05	type
	app	M.Hasegawa	4/25/05	Product Customer Drawing
sheet	revision			
index	sheet			

PRODUCT NO.	92193-501CA
92193-500CA/500CALF	92193-501CAH
92193-500CAH/500CAHLF	92193-502CA
92193-500FA/500FALF	92193-502CAH
	92193-502FA



NOTE

- EJECT FORCE 3.5kg MAX.
- ASSY PROCESS
 - TO MOUNT PART ④ ON PWB WITH SCREW (S1,S2) AND SOLDER.
 - TO JOINT PART ⑤ INTO PART ④, THEN FIX PART ⑤ WITH 2 SCREWS (S3,S4).
- EJECT TRAVEL 8.0mm
- MATERIAL
 - PART ④ (HEADER ASSY)
 - HOUSING : HIGH TEMPERATURE THERMOPLASTIC UL94V-0
 - PIN : PHOSPHOR BRONZE
 - PART ⑤ (EJECT MECHANISM ASSY)
 - GUIDE : HIGH TEMPERATURE THERMOPLASTIC UL94V-0 BLACK
 - PUSH ROD : FLAME RETARDANT UL94V-0
 - PLATE : STAINLESS
 - EMI CONTACT : PHOSPHOR BRONZE
- OPTIONAL HOLD-DOWN : BRASS

FINISH

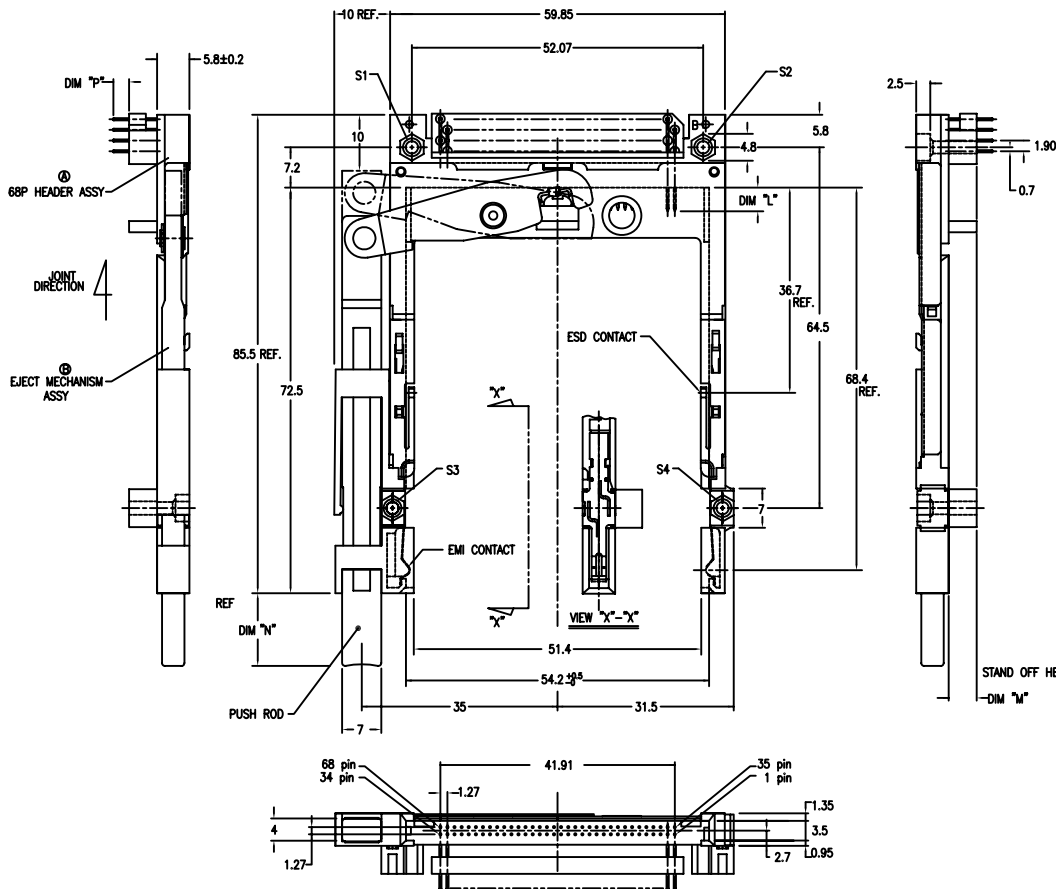
- PIN
 - UNDER PLATING : 0.5µm MIN. Ni
 - CONTACT AREA : 0.076 µm MIN. GOLD
 - SOLDER TAIL : 2.5µm MIN. Sn-Pb OR 2.5µm MIN. PURE Sn.(FOR -*****LF)
- EMI CONTACT
 - UNDER PLATING : 2.0µm MIN. Ni
 - CONTACT AREA : 0.076 µm MIN. GOLD
- OPTIONAL HOLD-DOWN : 2.5µm MIN. PURE Sn

PIN NO.	DIM "L"	
	4.25±0.1	3.5±0.1
OTHERS	36.67	35±0.08

- SEE TA-946 FOR PCB LAYOUT.
- SEE 92140 FOR DETAILED HDR DIMENSION.
- SEE SHEET 1, 2 REGARDING COMPONENTS.
- GENERAL TOLERANCE : ±0.3.
- PRODUCT SPEC:110-263

mat'l. code	surface	tolerance	projection	product family
	ISO1302	ISO1101 ISO406		PCMCIA
ltr	ecn no	dr	date	title
x				68P EJECTOR HEADER ASSY FOR TYPE I/II/III (FOR 5.0V)
				dwg no
				92193
				sheet. 7 of 10
				size
				A4
				type
				Product Customer Drawing
sheet	revision			
index	sheet			

PRODUCT NO.
92193-500CA/500CALF
92193-540CA/540CALF
92193-550CA/550CALF

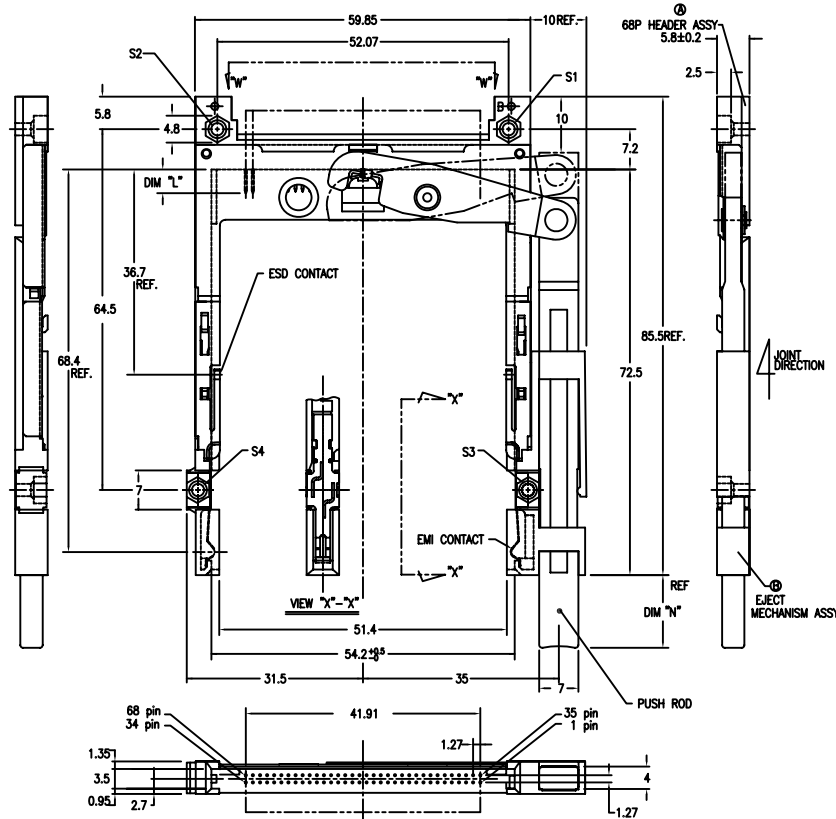


- NOTE
- EJECT FORCE 3.5kg MAX.
 - ASSY PROCESS
 - TO MOUNT PART ④ ON PWB WITH SCREW (S1,S2) AND SOLDER.
 - TO JOINT PART ④ INTO PART ④, THEN FIX PART ④ WITH 2 SCREWS (S3,S4).
 - EJECT TRAVEL 8.0mm
 - MATERIAL
 - PART ④ (HEADER ASSY)
 - HOUSING : HIGH TEMPERATURE THERMOPLASTIC UL94V-0
 - PIN : PHOSPHOR BRONZE
 - PART ④ (EJECT MECHANISM ASSY)
 - GUIDE : HIGH TEMPERATURE THERMOPLASTIC UL94V-0 BLACK
 - PUSH ROD : FLAME RETARDANT UL94V-0
 - PLATE : STAINLESS
 - EMI CONTACT : PHOSPHOR BRONZE
 - STANDOFF : ZINC ALLOYS DIE CASTING
 - FINISH
 - PIN
 - UNDER PLATING : 0.5µm MIN. Ni
 - CONTACT AREA : 0.076 µm MIN. GOLD
 - SOLDER TAIL : 2.5µm MIN. Sn-Pb OR 2.5µm MIN. PURE Sn (FOR -*****LF)
 - EMI CONTACT
 - UNDER PLATING : 2.0µm MIN. Ni
 - CONTACT AREA : 0.076 µm MIN. GOLD
 - STAND OFF : 3 ~5µm Ni, OVER 5 ~10µm Cu.
 - PIN NO.

PIN No.	OTHERS	36,67	37,68
4.2±0.1	3.5±0.1	5.0±0.1	
- STAND OFF HEIGHT 7. SEE TA-946 FOR PCB LAYOUT.
 8. SEE 92140 FOR DETAILED HDR DIMENSION.
 9. SEE SHEET1,2 REGARDING COMPONENTS.
 10. GENERAL TOLERANCE : ±0.3.
 11. PRODUCT SPEC:110-263

mat'l. code	surface ISO1302	tolerance ISO1101 ISO406	projection 	product family PCMCIA
ltr	ecn no	dr	date	title
x				68P EJECTOR HEADER ASSY FOR TYPE I/II/III (FOR 5.0V)
				dwg no 92193 sheet. 8 of 10 size A4
				type Product Customer Drawing
sheet index	revision sheet			

PRODUCT NO.	92193-601CAH
92193-600CA/600CALF	92193-602CA
92193-600CAH/600CAHL	92193-602CAH
92193-601CA	



NOTE

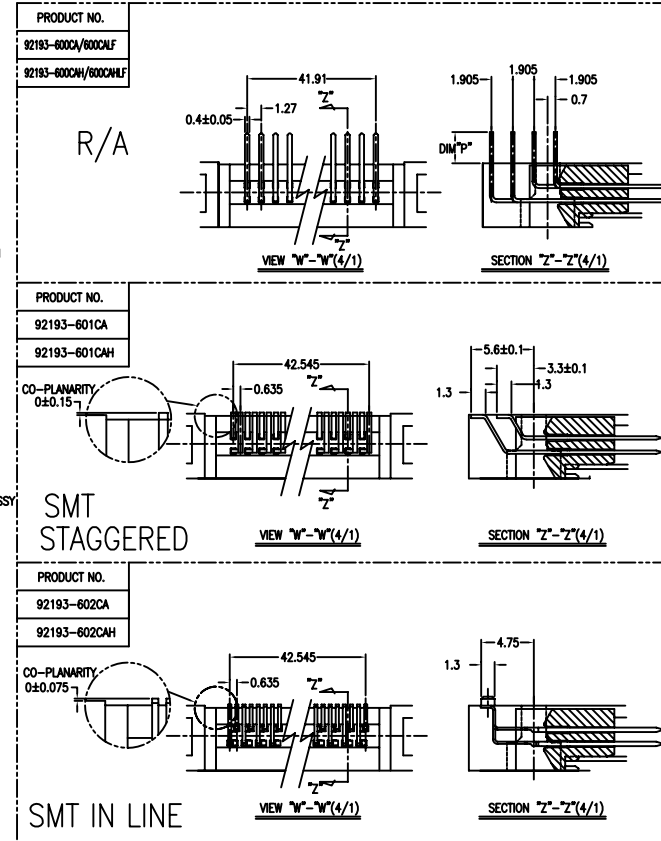
- EJECT FORCE 3.5kg MAX.
 - ASSY PROCESS
 - TO MOUNT PART ① ON PWB WITH SCREW (S1,S2) AND SOLDER
 - TO MOUNT PART ② INTO PART ①, THEN FIX PART ③ WITH 2 SCREWS (S3,S4).
 - EJECT TRAVEL 8.0mm
- ③ MATERIAL
- PART ① (HEADER ASSY)
 - HOUSING : HIGH TEMPERATURE THERMOPLASTIC UL94V-0
 - PIN : PHOSPHOR BRONZE
 - PART ② (EJECT MECHANISM ASSY)
 - GUIDE : HIGH TEMPERATURE THERMOPLASTIC UL94V-0 BLACK
 - PUSH ROD : FLAME RETARDANT UL94V-0
 - PLATE : STAINLESS
 - EMI CONTACT : PHOSPHOR BRONZE
 - OPTIONAL HOLD-DOWN : BRASS

- ④ FINISH
- PIN
 - UNDER PLATING : 0.5µm MIN. Ni
 - CONTACT AREA : 0.076 µm MIN. GOLD
 - SOLDER TAIL : 2.5µm MIN. Sn-Pb
 - OR 2.5µm MIN. PURE Sn.(FOR -*****LF)
 - EMI CONTACT
 - UNDER PLATING : 2.0µm MIN. Ni
 - CONTACT AREA : 0.076 µm MIN. GOLD
 - OPTIONAL HOLD-DOWN : 2.5µm MIN. PURE Sn

6. PIN NO.

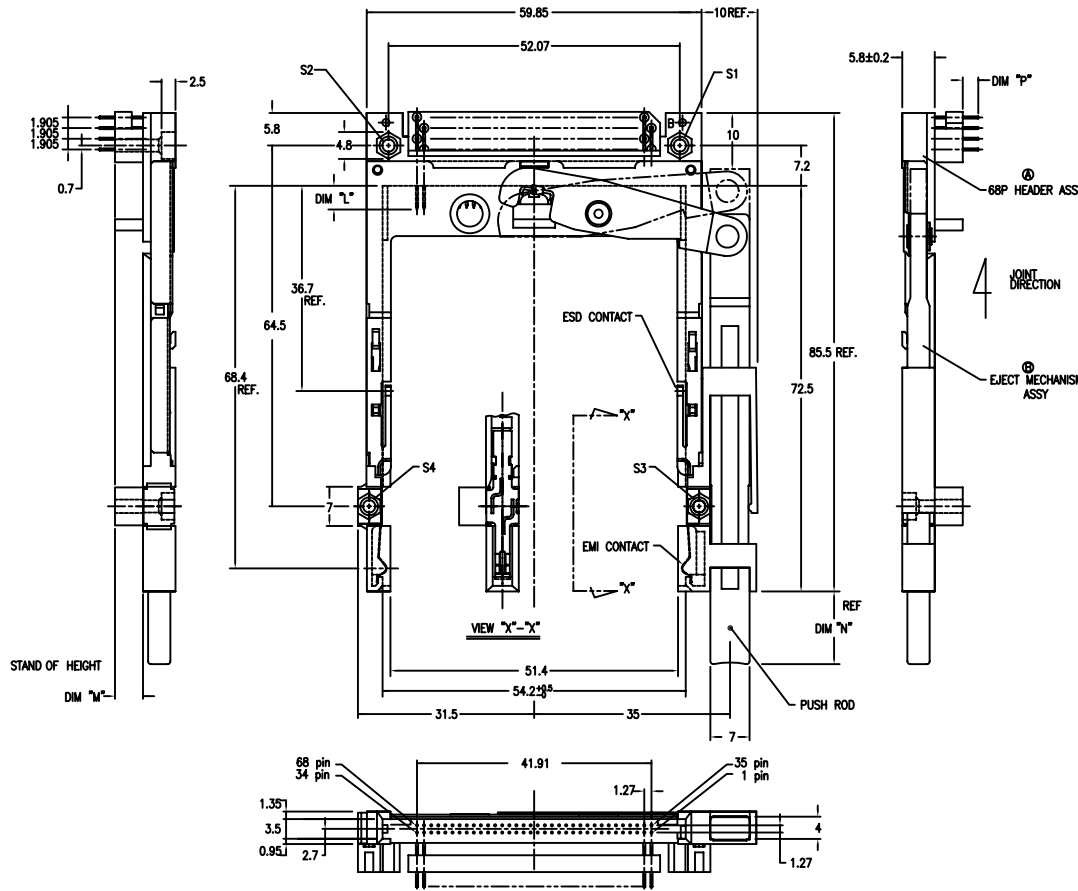
PIN NO.	DIM "L"	DIM "M"
1-34	42.5±0.1	35.5±0.1
35-68	36.67	34.87

- SEE TA-946 FOR PCB LAYOUT.
- SEE 92140 FOR DETAILED HDR DIMENSION.
- SEE SHEET 1,2 REGARDING COMPONENTS.
- GENERAL TOLERANCE : ±0.3
- PRODUCT SPEC:110-263



mat'l. code	surface	tolerance	projection	product family
	ISO1302	ISO1101 ISO406		PCMCIA
ltr	ecn no	dr	date	title
x				68P EJECTOR HEADER ASSY FOR TYPE I/II/III (FOR 5.0V)
				dwg no
				92193
				sheet. 9 of 10
				size
				A4
				type
				Product Customer Drawing
sheet	revision			
index	sheet			

PRODUCT NO.
92193-600CA/600CAL
92193-640CA/640CAL
92193-650CA/650CAL



- NOTE
- EJECT FORCE 3.5kg MAX.
 - ASSY PROCESS
 - TO MOUNT PART ④ ON PWB WITH SCREW (S1,S2) AND SOLDER.
 - TO JOINT PART ④ INTO PART ③, THEN FIX PART ④ WITH 2 SCREWS (S3,S4).
 - EJECT TRAVEL 8.0mm
- ④ MATERIAL
- PART ④ (HEADER ASSY)
 - HOUSING : HIGH TEMPERATURE THERMOPLASTIC UL94V-0
 - PIN : PHOSPHOR BRONZE
 - PART ④ (EJECT MECHANISM ASSY)
 - GUIDE : HIGH TEMPERATURE THERMOPLASTIC UL94V-0 BLACK
 - PUSH ROD : FLAME RETARDANT UL94V-0
 - PLATE : STAINLESS
 - EMI CONTACT : PHOSPHOR BRONZE
 - STANDOFF : ZINC ALLOYS DIE CASTING
- ⑤ FINISH
- PIN
 - UNDER PLATING : 0.5um MIN. Ni
 - CONTACT AREA : 0.076 um MIN. GOLD
 - SOLDER TAIL : 2.5um MIN. Sn-Pb OR 2.5um MIN. PURE Sn.(FOR *****LF)
 - EMI CONTACT
 - UNDER PLATING : 2.0um MIN. Ni
 - CONTACT AREA : 0.076 um MIN. GOLD
 - STAND OFF : 3 ~ 5um Ni, OVER 5 ~ 10um Cu.
6. PIN NO.
- | PIN No. | DIM "L" | |
|---------|----------|---------|
| | OTHERS | 5040.1 |
| | 4.28±0.1 | 3.5±0.1 |
| | 36.67 | 36.67 |
- SEE TA-946 FOR PCB LAYOUT.
 - SEE 92140 FOR DETAILED HDR DIMENSION.
 - SEE SHEET 1, 2 REGARDING COMPONENTS.
 - GENERAL TOLERANCE : ±0.3
 - PRODUCT SPEC:110-263

A

A

B

B

mat'l. code	surface	tolerance	projection	product family
	ISO1302	ISO1101 ISO406		PCMCIA
ltr	ecn no	dr	date	title
x				68P EJECTOR HEADER ASSY FOR TYPE I/II/III (FOR 5.0V)
				angles
				0°±2'
	dr	M.Hasegawa	4/25/05	MM
	engr	M.Hasegawa	4/25/05	scale 1:1
	chr	M.Hasegawa	4/25/05	
	appd	M.Hasegawa	4/25/05	
sheet index	revision sheet			dwg no
				92193
				sheet 10 of 10
				size A4
				type Product Customer Drawing