

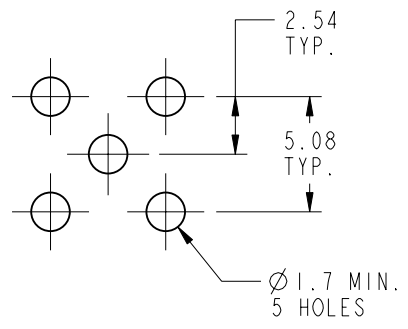
NOTES:

1. MATERIALS AND FINISHES:
 LOCKWASHER & HEX NUT - BRASS, NICKEL PLATED
 BODY - BRASS, GOLD PLATING OVER HIGH PHOSPHORUS CONTENT ELECTROLESS NICKEL
 FEMALE CONTACT - BeCu, GOLD PLATING OVER HIGH PHOSPHORUS CONTENT ELECTROLESS NICKEL
 CAP - BRASS, NICKEL PLATED
 INSULATORS - PTFE
 GASKET- SILICONE RUBBER
2. ELECTRICAL:
 A. IMPEDANCE: 50 OHM
 B. FREQUENCY RANGE : DC - 3 GHz
 C. VSWR: 1.3 MAX TO 3.0 GHz
3. MECHANICAL:
 A. TEMPERATURE RANGE: -65° C TO +165° C
 B. SEALING REQUIREMENTS: DESIGN WHEN MOUNTED ON PANEL MUST WITHSTAND WATER PRESSURE AT DEPTH OF 1 METER FOR 30 MIN. WITHOUT ANY SIGN OF LEAKAGE
 C. DESIGN NOT SUITABLE FOR REFLOW
4. PACKAGING:
 A. QUANTITY: SINGLE PACK
 B. MARKING: MARK BAG OR TAG
 "AMPHENOL RF, 901-10385, AND DATE CODE"

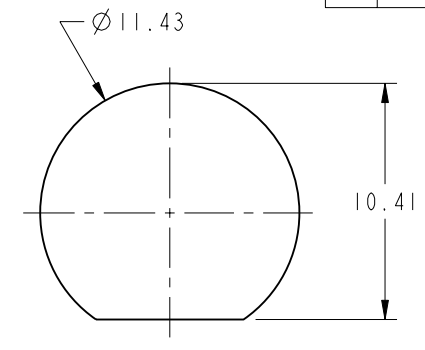
THIRD ANGLE PROJ.

REVISIONS

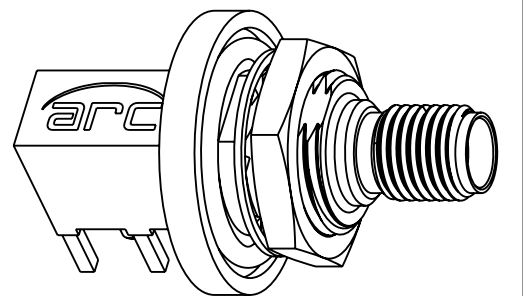
REV	DESCRIPTION	DATE	ECO	APPR
A	RELEASE TO MFG.	21-May-13	48962	TD
B	ADD ARC LOGO TO BODY\RD-DM13082201J8	30-Aug-13	49619	RLB



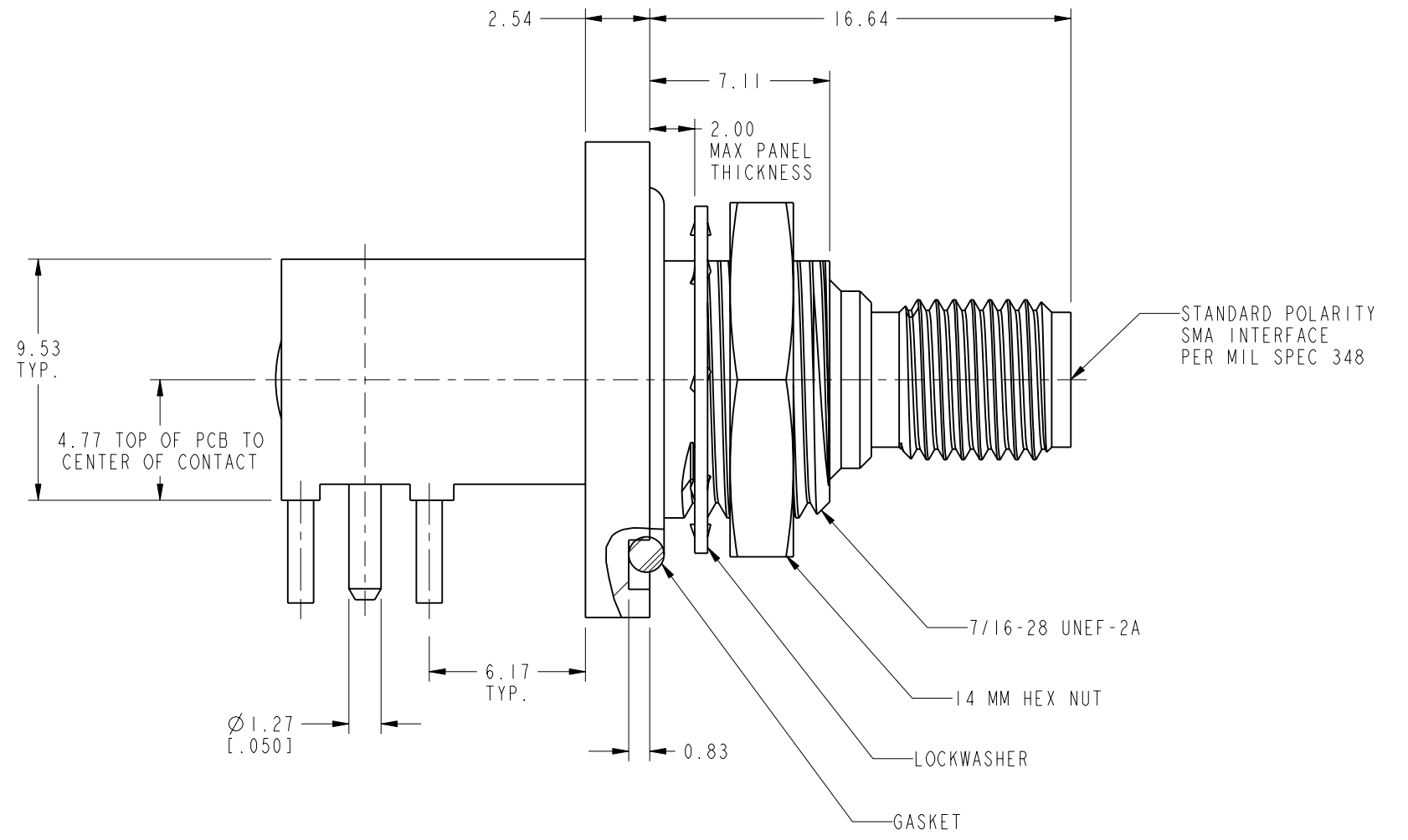
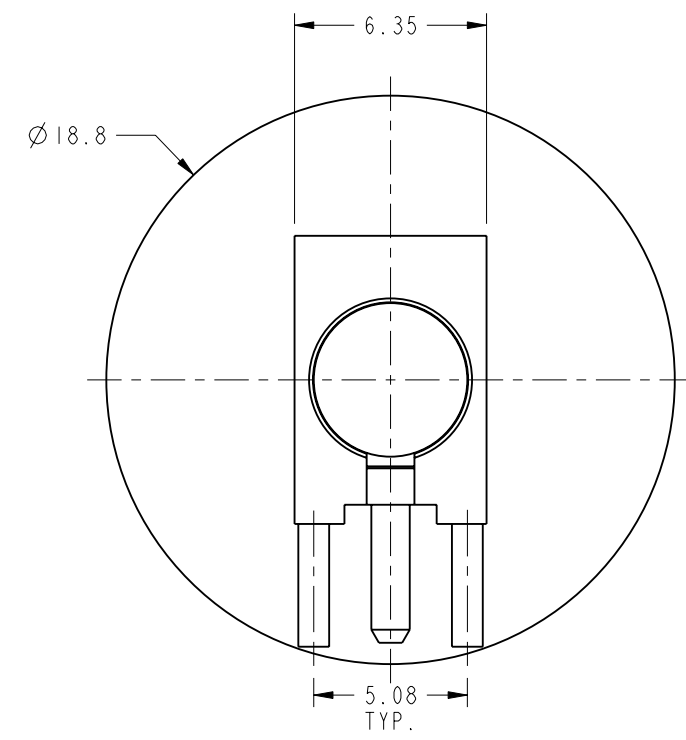
RECOMMENDED MOUNTING HOLE DIMENSIONS
SCALE 3.000



RECOMMENDED MOUNTING PANEL DIMENSIONS



SCALE 2.000



CUSTOMER OUTLINE DRAWING
ALL OTHER SHEETS ARE FOR INTERNAL USE ONLY

UNLESS OTHERWISE SPECIFIED, DIMENSIONS ARE IN METRIC AND TOLERANCES ARE: <0.5mm ±0.05mm 0.5 - 6mm ±0.1mm 6 - 30mm ±0.2mm 30 - 120mm ±0.3mm ANGLES ±1°	MATERIAL SEE NOTES	DRAWN J.CHEN	DATE 30-Aug-13	TITLE SMA JACK (IP67) R/A BULKHEAD PC MOUNT	Amphenol RF www.amphenolrf.com
		ENGINEER D.DAVE	DATE 30-Jan-12		
NOTICE - These drawings, specifications, or other data (1) are, and remain the property of Amphenol corp. (2) must be returned upon request; and (3) are confidential and not to be disclosed to any person other than those to whom they are given by Amphenol Corp. the furnishing of these drawings, specifications, or other data by Amphenol Corp., or to any other person for any purpose is not to be regarded by implication or otherwise in any manner licensing, granting rights to permitting such holder or any other person to manufacture, use or sell any product, process or design, patented or otherwise, that may in any way be related to or disclosed by said drawings, specifications, or other data.	REFERENCE EAR # 4007	APPROVED S.HSIEH	DATE 04-Sep-13	SCALE: 6.0:1.0 SHEET 2 OF 2	DRAWING NO. 901-10385
	CONFIGURATION LEVEL:	CAD FILE	DWG SIZE B	REV B	ITEM NO. 901-10385