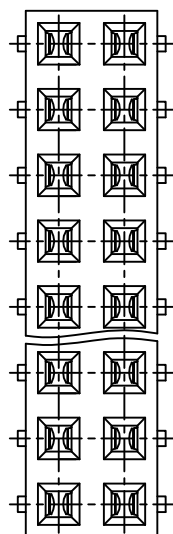


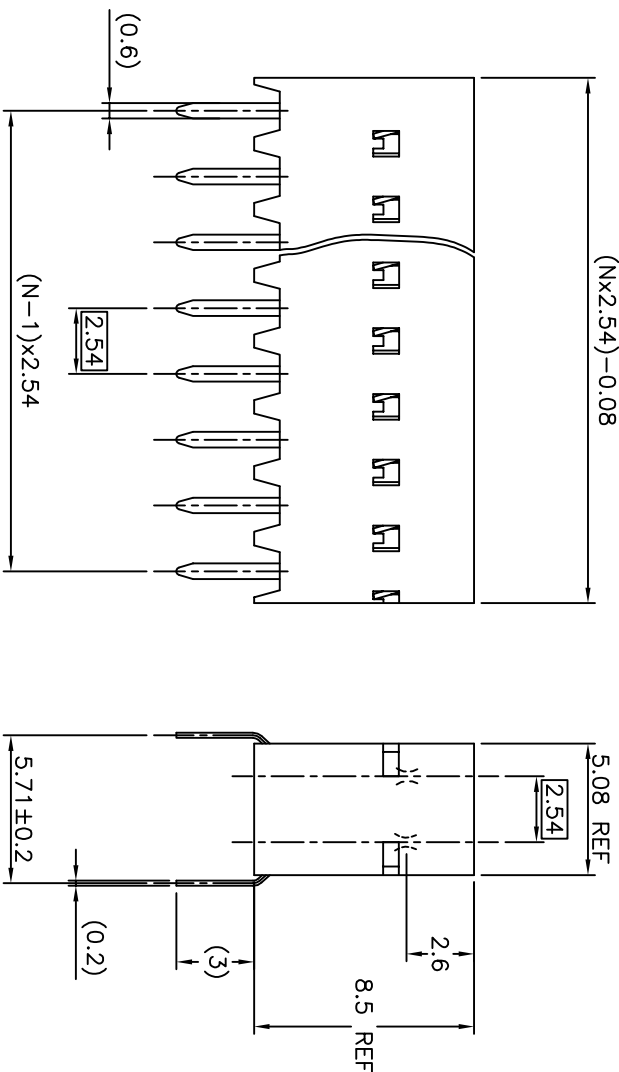
PRODUCT NUMBER
89892-YXXLF

RoHS COMPATIBLE, SEE NOTE 5
NUMBER OF POSITIONS PER ROW: 02 to 50
PLATING CODE
3 = 0.76µm GOLD ON CONTACT AREA.
2µm MIN MATTE TIN ON TAIL.
4 = 2µm MIN MATTE TIN FULL PLATED
1.27µm Ni MIN UNDERPLATING

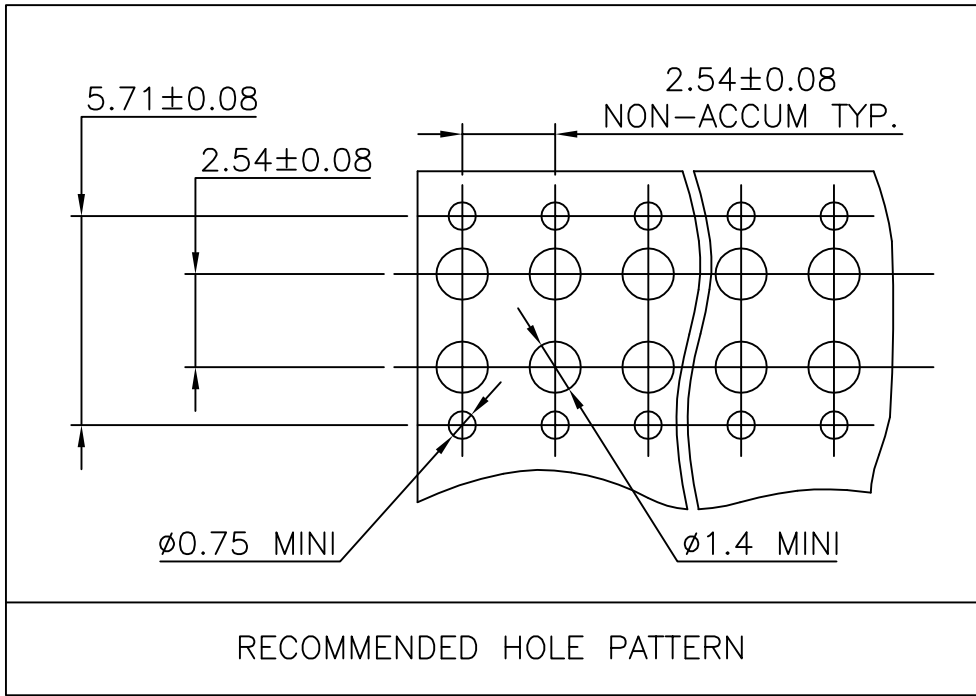


NOTES:

- 1 - HOUSING MAT'L: THERMOPLASTIC GLASS FILLED FLAME RETARDANT PER UL 94 V-0 COLOR: BLUE.
 - 2 - TERMINAL MATERIAL : PHOSPHOR BRONZE.
 - 3 - 02 UP TO 04 POSITIONS PRODUCT PACKED IN PLASTIC BOX. 05 UP TO 50 POSITIONS PRODUCT PACKED IN TUBE.
 - 4 - TO DETERMINE DIMENSIONS :
N = NUMBER OF POSITIONS PER ROW
EXAMPLE: 8 POS: (Nx2.54)-0.08=20.24 mm
 - 5 - RoHS COMPATIBLE PRODUCT SPECIFICATIONS
- d - PLATING:
- "LF" MEANS THE PRODUCT IS LEAD-FREE, 2µm MINIMUM MATTE TIN OVER 1.27µm MINIMUM NICKEL UNDERPLATE.
 - b - MANUFACTURING PROCESS COMPATIBILITY
 - THE HOUSING WILL WITHSTAND EXPOSURE TO 260°C ±5°C SOLDER BATH TEMPERATURE FOR 5 SECONDS IN A WAVE SOLDER APPLICATION WITH A 1.6mm MIN THICK CIRCUIT BOARD.
 - c - LABELING:
 - MEETS PACKAGING SPECS AS PER GS-14-920
 - d - LEGAL STATEMENT: SEE GS-47-0004



mat'l. code		surface	tolerance	projection	product family
SEE NOTES		ISO 1302	ISO 406 ISO 1101	mm	DUBOX
ltr	ecn no	dr	date	tolerances unless otherwise specified	title
C	F80638	PNZ	98.10.14	±0.3	BtB RECEPT.
D	F10116	GCO	01.01.23	linear	VERT DR TMT
E	F04-0347	DLE	04.09.28	±z'	scale 5:1
F	F06.0204	DLE	06.06.21	dr	D LEGRAND
G	B-19123	LMU	14.10.21	engr	P NIZZI
				chr	D LEGRAND
				qppd	P NZ
sheet	revision	G	B		
index	sheet	1	2		
dwg no		sheet 1 of 2		size	
89892		CUSTOMER		A3	
type		Drawing			



FCI
FCIconnect.com

Copyright FCI

mat'l. code SEE SHEET 1				surface ISO 1302 ✓		tolerance ISO 406 ISO 1101		projection 		product family DUBOX				
ltr	ecn no	dr	date	tolerances unless otherwise specified				mm 		title BtB RECEPT. VERT DR TMT				
A	F04-0347	DLE	04.09.28	angles linear	±0.3				scale 5:1		dwg no 89892		sheet 2 of 2 size A4	
B	F06-0204	DLE	06.06.21											
				dr	D LEGRAND	04.09.28				type CUSTOMER Drawing				
				enr	P NIZZI	04.09.28								
				chr	D LE	04.09.28								
				appd	P NZ	04.09.28								
sheet index		revision sheet												