

PRODUCT NUMBER
87606-XXXXLF

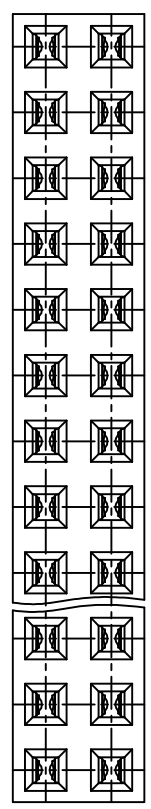
ROHS COMPATIBLE, SEE NOTE 7
OPTIONAL LETTER SEE NOTE 6

NUMBER OF POSITIONS PER ROW: 02 TO 50.

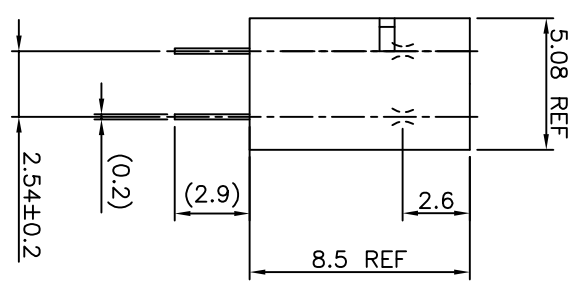
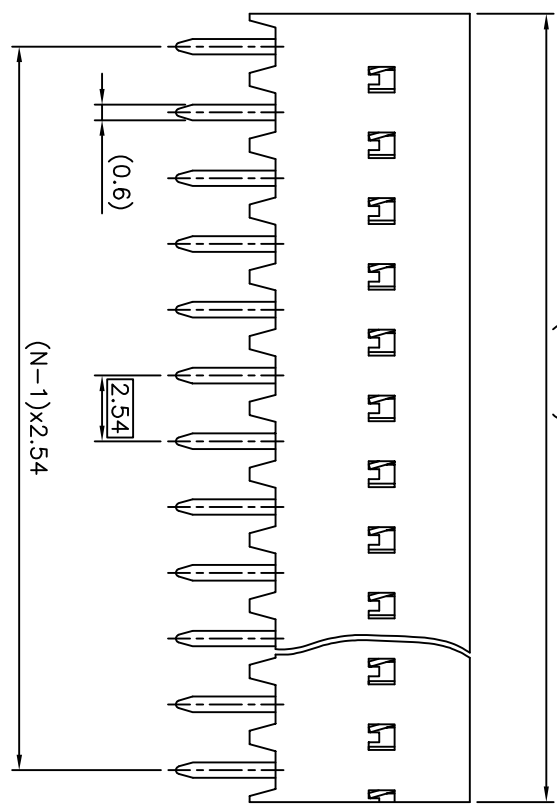
PLATING CODE

3 = 0.76µm GOLD ON CONTACT AREA.
2µm MIN MATTE TIN ON TAIL.
4 = 2µm MIN MATTE TIN FULL PLATED

8 = 0.38µm GOLD ON CONTACT AREA.
2µm MIN MATTE TIN ON TAIL.
1.27µm Ni MIN UNDERPLATING



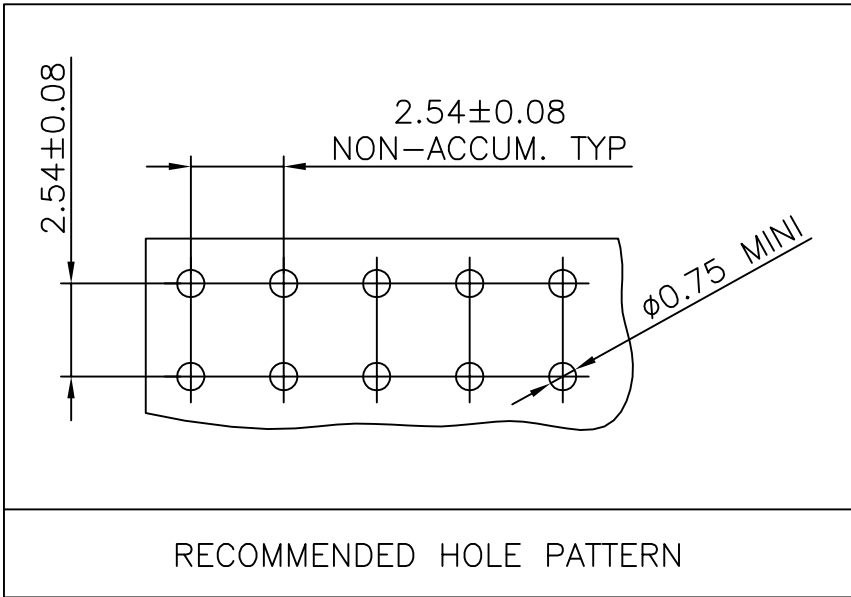
(N×2.54) - 0.08



NOTES:

- 1 - HOUSING MAT'L: THERMOPLASTIC GLASS FILLED FLAME RETARDANT PER UL 94 V-0 COLOR: BLUE.
- 2 - TERMINAL MATERIAL: PHOSPHOR BRONZE.
- 3 - 2 UP TO 4 POSITIONS PRODUCT PACKED IN PLASTIC BOX. 5 UP TO 50 POSITIONS PRODUCT PACKED IN TUBE.
- 4 - TO DETERMINE DIMENSIONS:
N = NUMBER OF POSITIONS PER ROW
EXAMPLE: 8 POS: (N×2.54)-0.08=20.24 mm
HE13 PRINTING ON 87606-3XX PRODUCT.
- 6 - A LETTER "H" AT THE END OF THE PART NUMBER TO INDICATE A HIGH TEMP. PRODUCT HOUSING MAT'L: THERMOPLASTIC GLASS FILLED FLAME RETARDANT PER UL 94 V-0 COLOR: GREY.
- 7 - ROHS COMPATIBLE PRODUCT SPECIFICATIONS
- a - PLATING:
- "LF" MEANS THE PRODUCT IS LEAD-FREE, 2µm MINIMUM MATTE TIN OVER 1.27µm MINIMUM NICKEL UNDERPLATE.
- b - MANUFACTURING PROCESS COMPATIBILITY
- THE HOUSING WILL WITHSTAND EXPOSURE TO 260°C ±5°C SOLDER BATH TEMPERATURE FOR 5 SECONDS IN A WAVE SOLDER APPLICATION WITH A 1.6mm MIN THICK CIRCUIT BOARD.
- c - LABELING:
- MEETS PACKAGING SPECS AS PER GS-14-920
- d - LEGAL STATEMENT: SEE GS-47-0004
- 8 - PRINTING & HOLE PATTERN SEE NEXT SHEET.

| mat'l. code | | surface | | tolerance | | projection | | product family | |
|-------------|-------------|----------|---------|-----------|---------------------------------------|------------|-----------|----------------|----------------|
| ltr | ecm no | ISO 1302 | ISO 406 | ISO 1001 | ISO 406 | ISO 1001 | ISO 1001 | title | product family |
| | SEE NOTE 1 | | | | | | | BtB RECEPT. | DUBOX |
| K | F04-0347DLE | 04.09.23 | | | tolerances unless otherwise specified | | 40.3 | VERT DR TMT | |
| L | F05-0230DLE | 05.08.08 | | | linear | | mm | 87606 | |
| M | F06-0204DLE | 06.06.21 | #2 | | | | scale 5:1 | CUSTOMER | |
| N | F07-0108DLE | 07.01.16 | dr | D | LEGRAND | | | sheet 1 of 2 | |
| P | B-19123LMU | 14.10.21 | lengr | P | NIZZI | | | A3 | |
| J | F04-0348DLE | 04.09.22 | qppd | P | NZ | | | Drawing | |
| Index | sheet | revision | P | D | | | | | |
| | sheet | 1 | 2 | | | | | | |



A

A

B

B

C

C



Copyright FCI

| | | | | | | | | | | | |
|----------------------------|----------|----------------|---|-------------------------------|---------------------------------------|-------------------------|----------|----------------------------|--|--------------|---------|
| mat'l. code SEE SHEET 1 | | | surface ISO 1302 <input checked="" type="checkbox"/> | tolerance ISO 406 ISO 1101 | projection | product family DUBOX | | | | | |
| ltr | ecn no | dr | date | | tolerances unless otherwise specified | title | | | | | |
| A | F04-0347 | DLE | 04.09.23 | | angles linear ±2' | ±0.3 | mm ←→ | BtB RECEPT. VERT DR TMT | | | |
| B | F05-0230 | DLE | 05.08.08 | | | | | | | | |
| C | F06-204 | DLE | 06.06.21 | | | | | | | | |
| D | F07-0109 | DLE | 07.01.16 | | dr | D LEGRAND | 04.09.23 | dwg no | | sheet 2 of 2 | size |
| | | | | | engr | P NIZZI | 04.09.23 | 87606 | | A4 | |
| | | | | | chr | D LE | 04.09.23 | type | | CUSTOMER | Drawing |
| | | | | | appd | P NZ | 04.09.23 | | | | |
| sheet index | | revision sheet | | | | | | | | | |