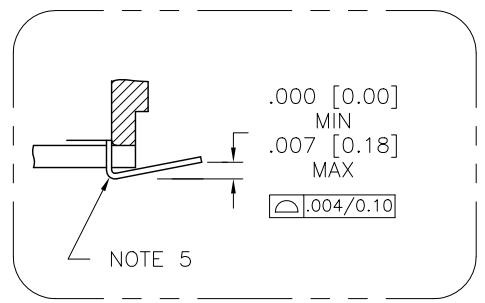
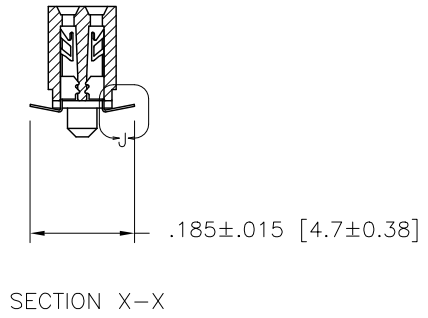
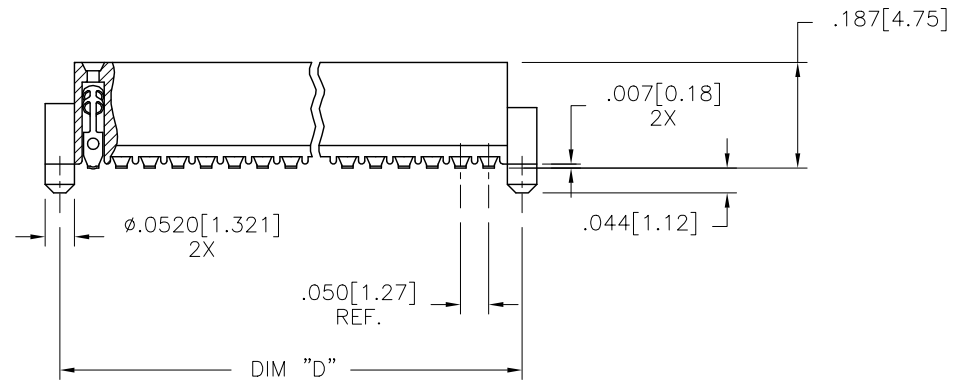
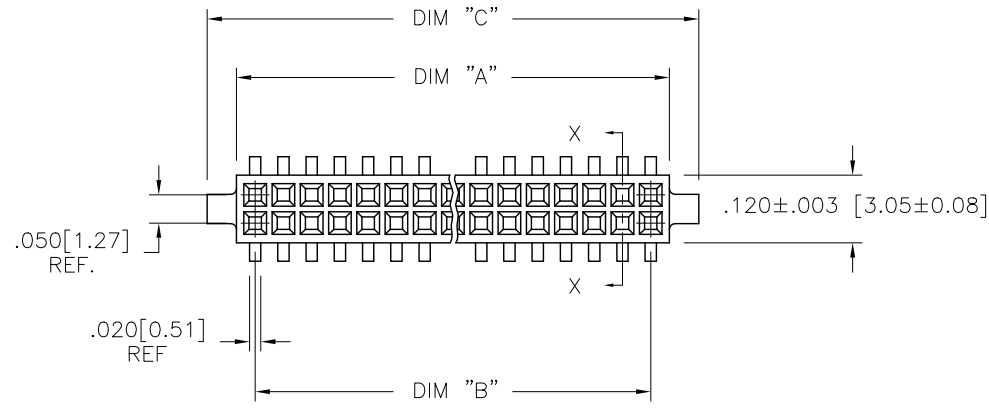


PRODUCT NUMBER
SEE TABLE



DETAIL J
SCALE 10/1

| | | | | | | | | | | | |
|-------------|--------------|-----|---------|---------------------------------------|--------------|---------------------|--|------------|--|-----------------------------------|--|
| mat'l. code | | | | surface | | tolerance | | projection | | product family | |
| - | | | | ISO 1302 ✓ | | ISO 406 ISO 1101 | | | | RIB CAGE | |
| ltr | ecn no | dr | date | tolerances unless otherwise specified | | | | | | title | |
| AC | M05-0084 | MHT | 5/05/05 | angles | linear | xx ±.01/.3 | | INCH/MM | | .050cc VERT. CARD CONN. | |
| AD | M06-0284 | AEA | 7/27/06 | | | xxx ±.005/.13 | | scale 3:1 | | SURF. MT. W/LOC. FEATURES | |
| AE | M07-0267 | MHT | 6/08/07 | σ±2' | | xxxx ±.0020/.050 | | | | dwg no 87023 sheet 1 of 4 size A3 | |
| AF | M07-0345 | AGS | 7/26/07 | dr | M. CLOUSER | 5/25/91 | | type | | Product Customer Drawing | |
| AG | M09-0345 | CMR | 4/06/09 | engr | B. BARUFFALO | 5/25/91 | | | | | |
| AH | N10-0174 | YO | 6/17/10 | chr | B. BARUFFALO | 5/25/91 | | | | | |
| AJ | ELX-N-010201 | YO | 2/8/12 | appd | B. BARUFFALO | 5/25/91 | | | | | |
| sheet | revision | AJ | AJ | AJ | AJ | | | | | | |
| index | sheet | 1 | 2 | 3 | 4 | | | | | | |

PRODUCT NO.
87023 - XXX

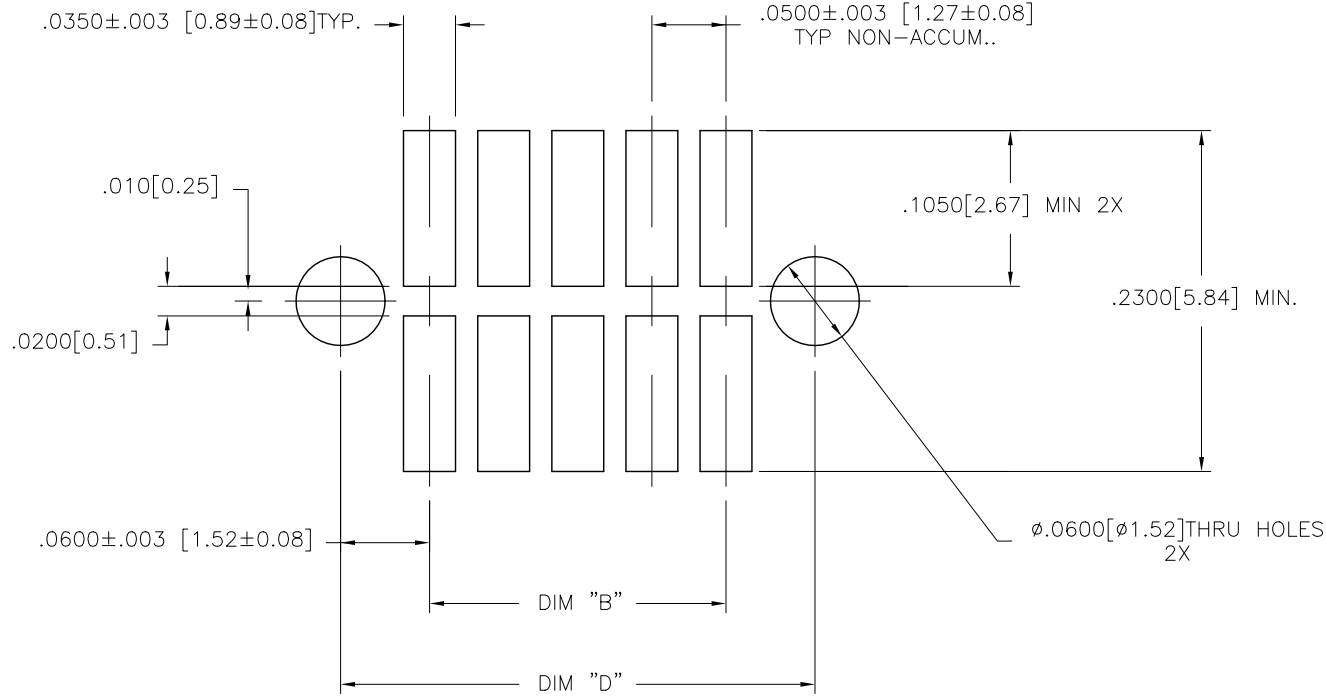
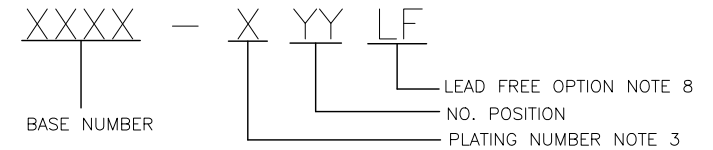


FIGURE A
RECOMMENDED
P.C.B. LAYOUT

| | | | | | | | | | |
|------------------|-----|-----------------------|------|----------------------------------|--|---------------------------------------|--------|---|---------|
| mat'l. code - | | surface ISO 1302 ✓ | | tolerance ISO 406 ISO 1101 | | projection [Symbol] | | product family RIB CAGE | |
| ltr | ecn | no | dr | date | | tolerances unless otherwise specified | | title | |
| AJ | | | | | | angles | linear | XX ±.01/.3 XXX ±.005/.13 XXXX ±.0020/.050 | INCH/MM |
| | | | | | | σ±2' | | scale 3:1 | |
| | | | dr | M. CLOUSER 5/25/91 | | | | dwg no | |
| | | | engr | B. BARUFFALO 5/25/91 | | | | sheet 2 of 4 | |
| | | | chr | B. BARUFFALO 5/25/91 | | | | size | |
| | | | appd | B. BARUFFALO 5/25/91 | | | | A3 | |
| sheet index | | revision sheet | | | | | | type Product Customer Drawing | |



| PRODUCT NO. NOTE 8 | SIZE | DIM A | DIM B | DIM C | DIM D | SPECIAL PACKAGING | TAPE WIDTH | | PIECES PER REEL |
|-----------------------|--------|--------------|-------------|--------------|---------------|----------------------|---------------|-------|--------------------|
| | | | | | | | | PITCH | |
| 87023-605 | 2 X 5 | .266/6.756 | .200/5.08 | .370/9.398 | .3200/8.128 | NOTE 6 | 24mm | 12mm | 750 |
| -610 | 2 X 10 | .516/13.106 | .450/11.43 | .620/15.748 | .5700/14.478 | NOTE 6 | 24mm | 12mm | 750 |
| -615 | 2 X 15 | .766/19.456 | .700/17.78 | .870/22.098 | .8200/20.828 | NOTE 6 | 44mm | 12mm | 500 |
| -620 | 2 X 20 | 1.016/25.806 | .950/24.13 | 1.120/28.448 | 1.0700/27.178 | NOTE 6 & 7 | 44mm | 12mm | 500 |
| -625 | 2 X 25 | 1.266/32.156 | 1.200/30.48 | 1.370/34.798 | 1.3200/33.528 | NOTE 6 | 56mm | 12mm | 500 |
| -630 | 2 X 30 | 1.516/38.506 | 1.450/36.83 | 1.620/41.148 | 1.5700/39.878 | NOTE 6 & 7 | 56mm | 12mm | 500 |
| -635 | 2 X 35 | 1.766/44.856 | 1.700/43.18 | 1.870/47.498 | 1.8200/46.228 | NOTE 6 | 72mm | 12mm | 500 |
| -640 | 2 X 40 | 2.016/51.206 | 1.950/49.53 | 2.120/53.848 | 2.0700/52.578 | NOTE 6 & 7 | 72mm | 12mm | 500 |
| -645 | 2 X 45 | 2.266/57.556 | 2.200/55.88 | 2.370/60.198 | 2.3200/58.928 | NOTE 6 | 72mm | 12mm | 500 |
| -650 | 2 X 50 | 2.516/63.906 | 2.450/62.23 | 2.620/66.548 | 2.5700/65.278 | NOTE 6 | 88mm | 12mm | 500 |
| -905 | 2 X 5 | .266/6.756 | .200/5.08 | .370/9.398 | .3200/8.128 | NO | — | — | — |
| -910 | 2 X 10 | .516/13.106 | .450/11.43 | .620/15.748 | .5700/14.478 | NO | — | — | — |
| -915 | 2 X 15 | .766/19.456 | .700/17.78 | .870/22.098 | .8200/20.828 | NO | — | — | — |
| -920 | 2 X 20 | 1.016/25.806 | .950/24.13 | 1.120/28.448 | 1.0700/27.178 | NO | — | — | — |
| -925 | 2 X 25 | 1.266/32.156 | 1.200/30.48 | 1.370/34.798 | 1.3200/33.528 | NO | — | — | — |
| -930 | 2 X 30 | 1.516/38.506 | 1.450/36.83 | 1.620/41.148 | 1.5700/39.878 | NO | — | — | — |
| -935 | 2 X 35 | 1.766/44.856 | 1.700/43.18 | 1.870/47.498 | 1.8200/46.228 | NO | — | — | — |
| -940 | 2 X 40 | 2.016/51.206 | 1.950/49.53 | 2.120/53.848 | 2.0700/52.578 | NO | — | — | — |
| -945 | 2 X 45 | 2.266/57.556 | 2.200/55.88 | 2.370/60.198 | 2.3200/58.928 | NO | — | — | — |
| 87023-950 | 2 X 50 | 2.516/63.906 | 2.450/62.23 | 2.620/66.548 | 2.5700/65.278 | NO | — | — | — |



NOTES:

- ① HOUSING MATERIAL:
GLASS FILLED THERMOPLASTIC FLAME RETARDANT PER UL 94V-0
COLOR: NATURAL
- ② TERMINAL MATERIAL: BeCu
- ③ TERMINAL PLATING:
-6XXLF: 30u"/.76um MIN HARD GOLD OR GXT OVER Ni ON CONTACT ZONES.
100u"/2.54um MIN PURE TIN OVER Ni
IN SOLDERING ZONES, OTHERWISE GOLD FLASH OR UNPLATED.

-9XXLF: 60u"/1.52um MIN HARD GOLD ON CONTACT ZONES,
100u"/2.54um MIN PURE TIN OVER Ni
OVER Ni IN SOLDERING ZONES, OTHERWISE GOLD FLASH OR UNPLATED.
- 4 APPLICATION INFORMATION:
A. RECOMMENDED MOUNTING PAD PATTERN IS SHOWN IN FIGURE "A".

B. MATING PINS TO BE .0176/0.447 TO .0181/0.459 DIA.

C. MATING PIN TIPS TO BE IN TRUE POSITION TO MATING GRID WITHIN .006/0.15 DIA.

D. SUGGESTED MATING PIN LENGTH .130/3.30 ±.010/0.25.
- ⑤ LEAD TIPS TO BE ABOVE HEEL, UP TO .007/0.18 MAX.
COPLANARITY TO BE MEASURED AT LOWEST POINT (HEEL).
- ⑥ ADD "TR" TO END OF DASH NUMBER FOR TAPE AND REEL PACKAGED WITH CAP. TOOLED ONLY FOR NOTED CONNECTORS.
7. ADD "CT" TO END OF DASH NUMBER FOR CONNECTOR WITH CAP FOR VACUUM PICKUP IN TUBE.
- ⑧ ADD LF SUFFIX AT THE END OF PART NUMBER FOR LEAD FREE OPTION.
9. THE HOUSING WILL WITHSTAND EXPOSURE TO 260°C PEAK TEMPERATURE FOR 20 SECONDS IN A CONVECTION, INFRA-RED OR VAPOR PHASE REFLOW OVEN. SEE APPLICATION NOTE/PROCEDURES IF THEY ARE AVAILABLE.
- ⑩ THIS PRODUCT MEETS EUROPEAN UNION DIRECTIVES AND OTHER COUNTRY REGULATION AS DESCRIBED IN GS-22-008.
11. PRODUCT SPEC PER BUS-12-087.

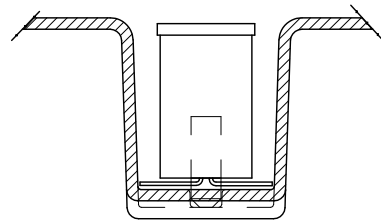
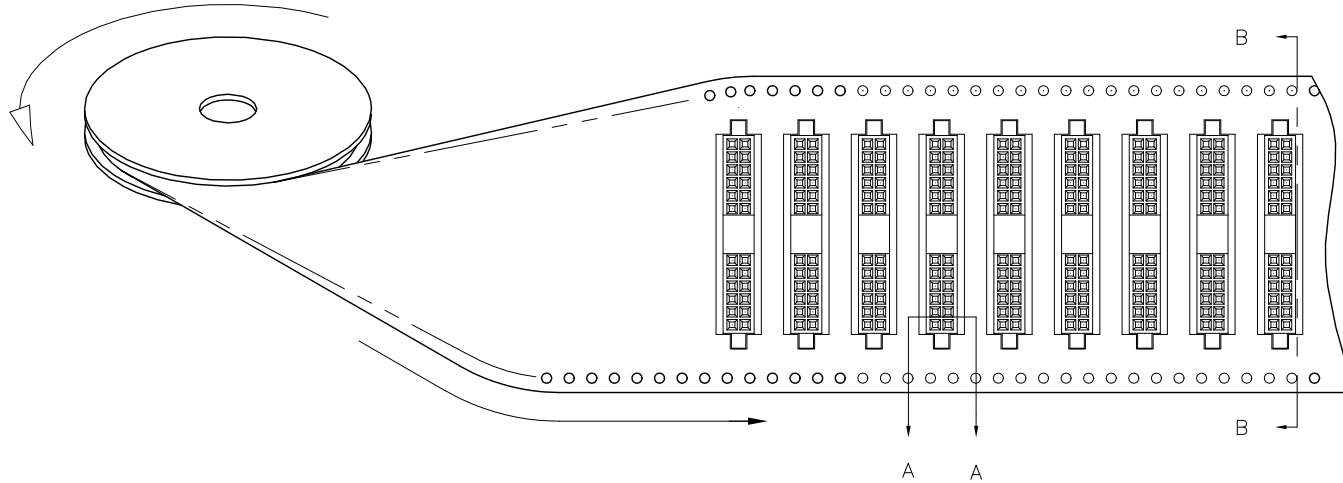
| | | | | | | | | | |
|-------------|--|------------|--|---------------------------------------|--|----------------------|--|-------------------------------|--|
| mat'l. code | | surface | | tolerance | | projection | | product family | |
| - | | ISO 1302 ✓ | | ISO 406 | | | | RIB CAGE | |
| | | | | ISO 1101 | | | | title | |
| ltr | | ecn | | no | | dr | | date | |
| AJ | | | | | | | | | |
| | | | | tolerances unless otherwise specified | | | | .050cc VERT. CARD CONN. | |
| | | | | angles | | linear | | SURF. MT. W/LOC. FEATURES | |
| | | | | σ±2' | | xxx ±.005/.13 | | scale 3:1 | |
| | | | | dr | | M. CLOUSER 5/25/91 | | dwg no | |
| | | | | enrg | | B. BARUFFALO 5/25/91 | | sheet 3 of 4 | |
| | | | | chr | | B. BARUFFALO 5/25/91 | | size | |
| | | | | appd | | B. BARUFFALO 5/25/91 | | 87023 | |
| | | | | | | | | A3 | |
| | | | | | | | | type Product Customer Drawing | |
| sheet | | revision | | | | | | | |
| index | | sheet | | | | | | | |

PRODUCT NUMBER
SEE TABLE

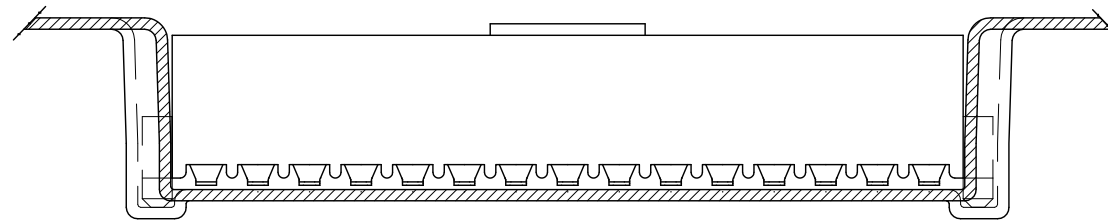
UNREELING
DIRECTION

REFERENCE ONLY

TAPE WIDTH'S 32mm AND ABOVE HAS BOTH FEED TRACKS,
BELOW 32mm HAS TOP FEED TRACK ONLY.



SECTION A-A



SECTION B-B

| | | | | | |
|------------------|----------------|-----------------------|----------------------------------|------------------------|--|
| mat'l. code - | | surface ISO 1302 ✓ | tolerance ISO 406 ISO 1101 | projection [Symbol] | product family RIB CAGE |
| ltr | ecn | no | dr | date | tolerances unless otherwise specified |
| AJ | | | | | angles linear xx ±.01/.3 xxx ±.005/.13 xxxx ±.0020/.050 |
| | | | | | σ±2' |
| | | | dr | M. CLOUSER 5/25/91 | INCH/MM scale 3:1 |
| | | | enr | B. BARUFFALO 5/25/91 | FCJ |
| | | | chr | B. BARUFFALO 5/25/91 | |
| | | | app | B. BARUFFALO 5/25/91 | |
| sheet index | revision sheet | | | | title .050cc VERT. CARD CONN. SURF. MT. W/LOC. FEATURES |
| | | | | | dwg no 87023 sheet 4 of 4 size A3 |
| | | | | | type Product Customer Drawing |