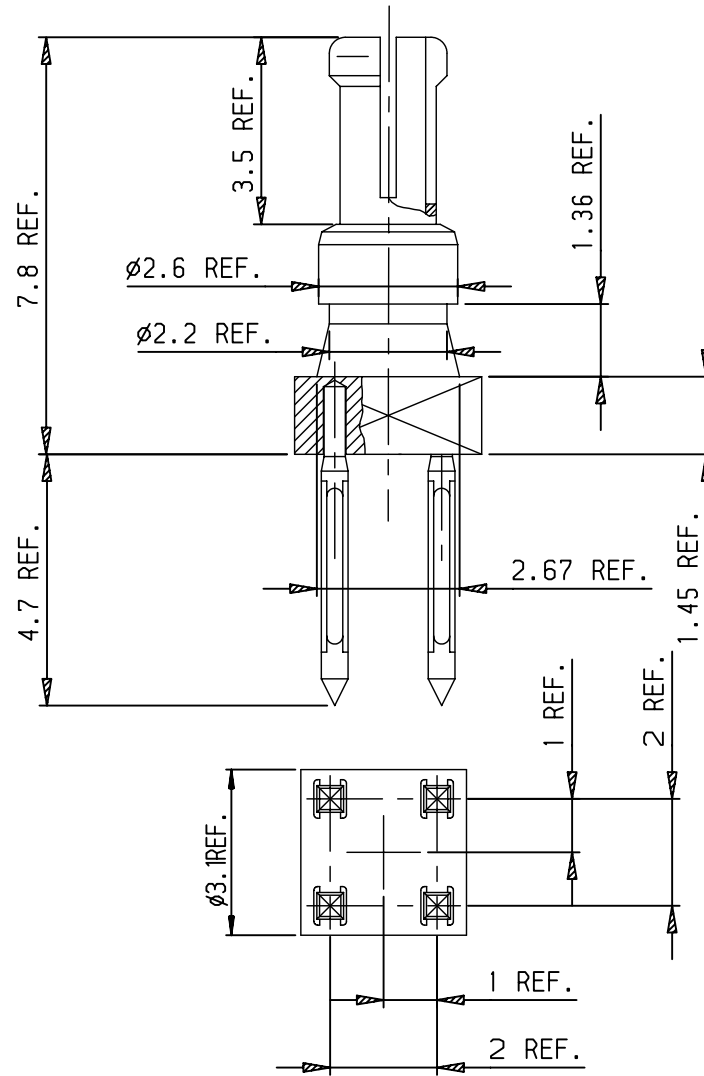
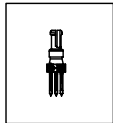


LEAD-FREE/P/N 85973-001LF PRESS FIT



NOTES:

1. THIS PRODUCT WITH "LF" SUFFIX MEETS EUROPEAN UNION DIRECTIVES AND OTHER COUNTRY REGULATIONS AS DESCRIBED IN GS -22-008.
2. THE PRODUCT IS NOT INTENDED TO BE EXPOSED TO A MANUFACTURING SOLDER PROCESS.
3. PACKAGING SPEC: SEE GS-14-920



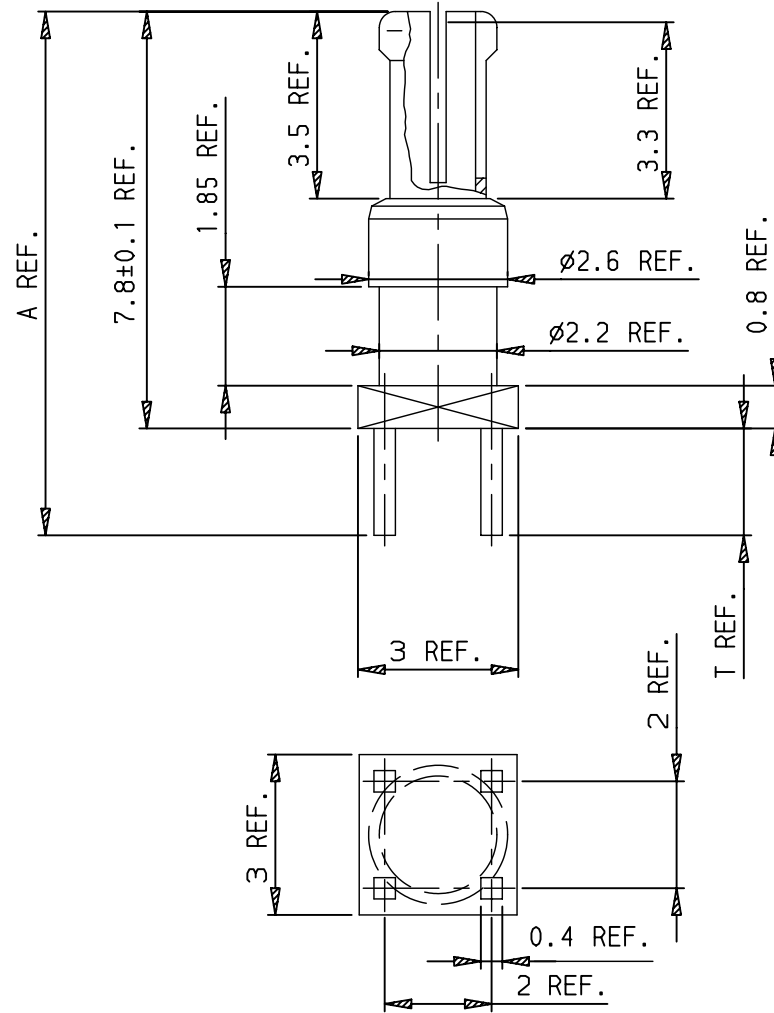
Scale 1:1

European Views

| | | | | | | |
|---------------------------------------|----------|------------------------------------|-------------------------------------|-----------------------------------|-----------------|---------------|
| www.fciconnect.com | | surface ISO 1302 | <input checked="" type="checkbox"/> | tolerance std ISO 406 ISO 1101 | projection | mm |
| TOLERANCES UNLESS OTHERWISE SPECIFIED | | | | | | |
| Dr | GOISNARD | 2006/06/03 | ANGULAR | LINEAR | 0.X ±0.1 | size A3 |
| Eng | GOISNARD | 2006/03/06 | 0.XX ±2* | | 0.XX ±0.1 | Scale 10 |
| Chr | LEGARE | 2006/03/06 | | | 0.XXX ±0.1 | ECN LS08-0057 |
| Appr | LEGARE | 2006/03/06 | Product family | | METRAL | Spec ref - |
| | | title MINI POWER MALE INSERT | | | dwg no 85973 | Rev. F |
| catalog no | | - | | | CUSTOMER | sheet 1 of 2 |

| rev | ecn no | dr | date |
|-----|-----------|-----|------------|
| D | - | - | - |
| - | LS07-0214 | LGO | 2007/08/20 |
| F | LS08-0057 | LGO | 2008/02/18 |
| - | - | - | - |
| - | - | - | - |
| - | - | - | - |

| LEAD-FREE P/N | DIM T | DIM A | TAILTYPE |
|---------------|-------|-------|----------|
| 85973-002LF | 2.00 | 9.80 | SOLDER |
| 85973-003LF | 2.50 | 10.30 | SOLDER |
| 85973-004LF | 3.00 | 10.80 | SOLDER |



NOTES:

1. THIS PRODUCT WITH "LF" SUFFIX MEETS EUROPEAN UNION DIRECTIVES AND OTHER COUNTRY REGULATIONS AS DESCRIBED IN GS-22-008.
2. THE PRODUCT WILL WITHSTAND EXPOSURE TO 260 DEGREE PEAK TEMPERATURE TO 30 SECONDS IN A WAVE SOLDER APPLICATION WITH A 1.6 mm MINIMUM THICK PCB
3. PACKAGING SPEC: SEE GS-14-920

European Views

| | | | | | | | |
|---|----------|---------------------|-------------------------------------|-----------------------------------|------------------|--------------|-----------|
| www.fciconnect.com | | surface ISO 1302 | <input checked="" type="checkbox"/> | tolerance std ISO 406 ISO 1101 | projection mm | mm | |
| TOLERANCES UNLESS OTHERWISE SPECIFIED | | | | | | | |
| Dr | GOISNARD | 2006/03/06 | ANGULAR | 0.X | ±0.1 | size | Scale |
| Eng | GOISNARD | 2006/03/06 | LINEAR | 0.XX | ±0.1 | A3 | 10 |
| Chr | LEGARE | 2006/03/06 | 0.XX' ±2' | 0.XXX | ±0.1 | ECN | LS07-0057 |
| Appr | LEGARE | 2006/03/06 | Product family | METRAL | | Spec ref | - |
| FCI title STR STB HDR MINIPOWER INSERT | | catalog no | | dwg no | | 85973 | |
| REV F - 2006-04-17 | | - | | CUSTOMER | | sheet 2 of 2 | |