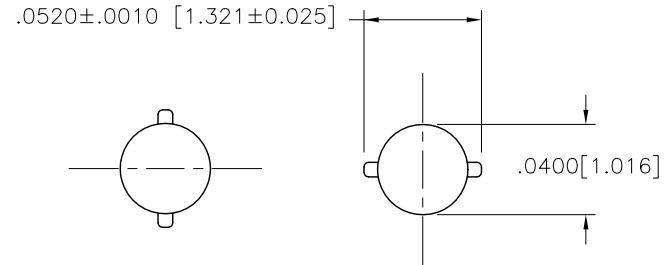
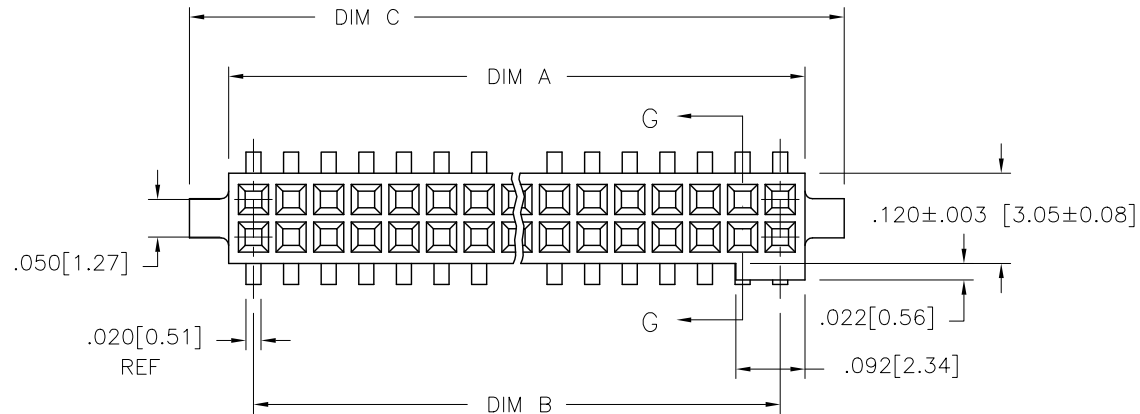
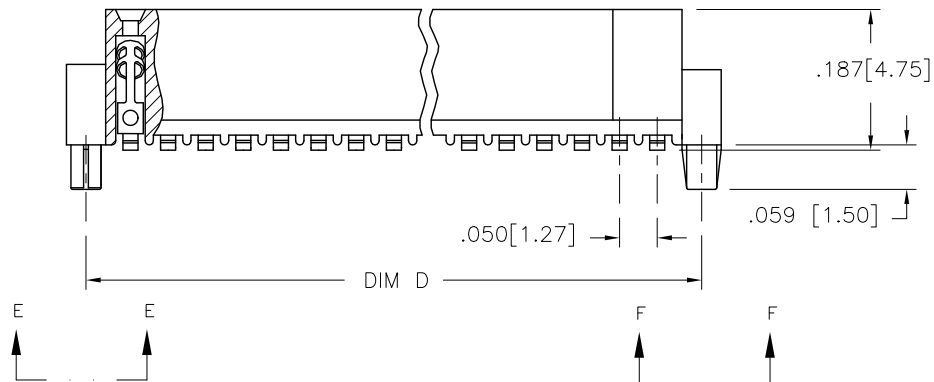


PRODUCT NUMBER
SEE TABLE

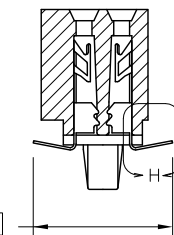


VIEW E-E
SCALE 3:1

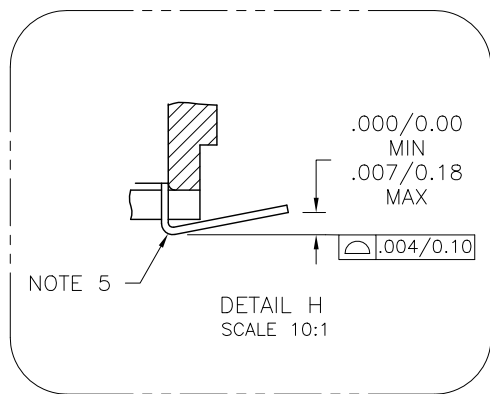
VIEW F-F
SCALE 3:1



.185 ± .015 [4.70 ± 0.38]



SECTION G-G



mat'l. code				surface		tolerance		projection		product family	
-				ISO 1302 ✓		ISO 406 ISO 1101				RIBCAGE	
ltr	ecn no	dr	date	tolerances unless otherwise specified						title	
D	V10994	DLW	3/9/01	angles	linear	.XX±.01/0.3		INCH/MM		.050/1.27cc V.C.C. SURFACE MT.	
E	V11674	CRG	6/22/01			.xxx±.005/0.13		scale 4:1		W/SPECIAL HOLDDOWN	
F	M05-0123	MHT	6/06/05	0°±2°		.xxxx±.0020/0.05				dwg no	
G	M06-0225	ERE	6/12/06	dr	E. Kropienicki	7/28/98				sheet 1 of 2 size	
H	M06-0370	MHT	9/26/06	engr	D. WHITING	7/28/98				84699 A3	
J	N10-0174	YO	6/17/10	chr	D. WHITING	7/28/98				type Product Customer Drawing	
K	ELX-N-010273	YO	2/13/12	appd	D. WHITING	7/28/98					
sheet	revision	K	K								
index	sheet	1	2								

