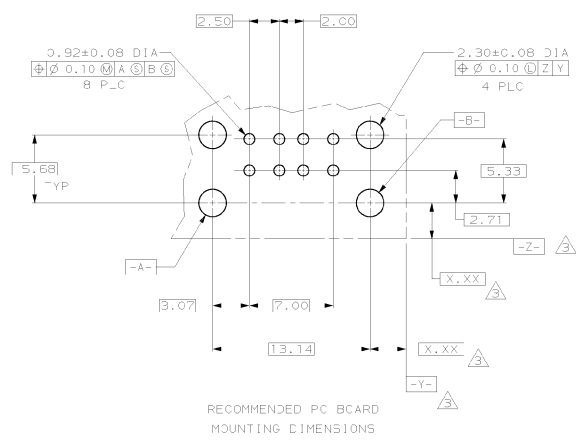
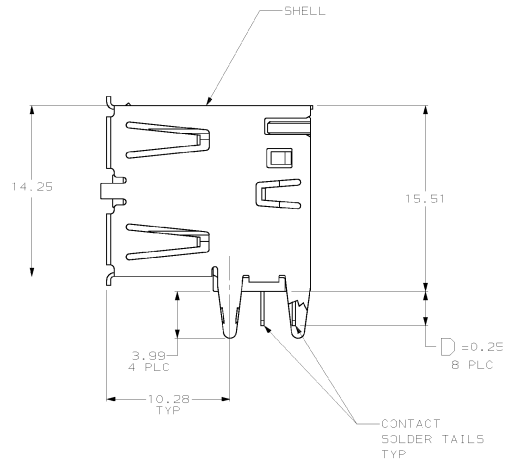
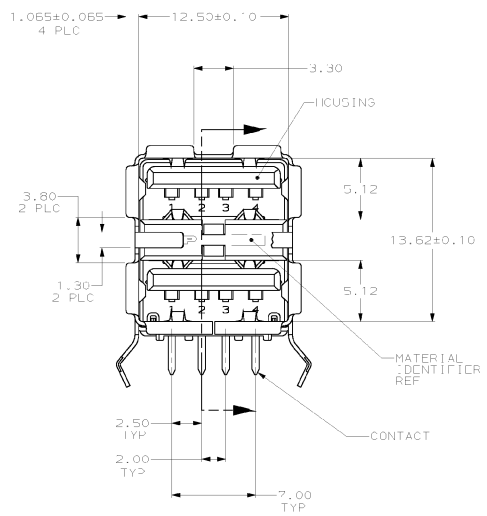


- △ MATERIAL:
SHELL & CONTACTS- COPPER ALLOY.
HOUSING- UL 94V-0 RATED, THERMOPLASTIC, SEE TABLE.
- △ PLATING:
CONTACTS- 0.076µm MINIMUM GOLD OVER 0.76µm MINIMUM PALLADIUM-NICKEL ON MATING AREA, OR CONTACT ALTERNATE PLATING 0.76µm MINIMUM SODIUM MATING AREA.
3.80µm MINIMUM TIN-LEAD ON SOLDER TAILS.
BOTH OVER 1.27µm MINIMUM NICKEL.
SHELL- 5.10µm MINIMUM BRIGHT TIN OVER 2.50µm MINIMUM COPPER.
- △ DATUM AND BASIC DIMENSIONS ESTABLISHED BY CUSTOMER.
- △ RECOMMENDED PC BOARD THICKNESS OF 1.57.



OB50_ETE	YES	2.84±0.25	NATURAL	787745-6
	YES	2.29±0.25	BLACK	787745-5
	YES	2.84±0.25	BLACK	787745-1
	NO	2.84±0.25	NATURAL	787745-3
	NO	2.29±0.25	BLACK	787745-2
	NO	2.84±0.25	BLACK	787745-1
HIGH TEMPERATURE COMPATIBLE		D	HOUSING COLOR	PART NUMBER
<small>THE CUSTOMER'S RESPONSIBILITY FOR THE PROTECTION OF THIS DRAWING IS TO BE MAINTAINED BY THE CUSTOMER. THE CUSTOMER SHALL BE RESPONSIBLE FOR THE PROTECTION OF THIS DRAWING.</small>				
DESIGNED BY	DATE	BY	DATE	BY
DRW	11/10/03	DR	11/10/03	DR
CHK		CHK		CHK
APP		APP		APP
DIMENSIONS		OTHER DIMENSIONS		DATE
BY	DATE	BY	DATE	DATE
PRODUCT SPEC		DATE		DATE
108-1585				
114-40054				
MATERIAL		FINISH		SCALE
				5:1
CUSTOMER DRAWING		DRAWING NO		REV
		A1 00779		1 OF 1
		C=787745		REV
		SHEET		K