

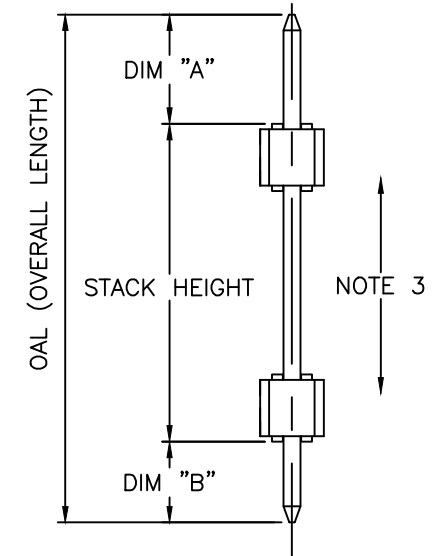
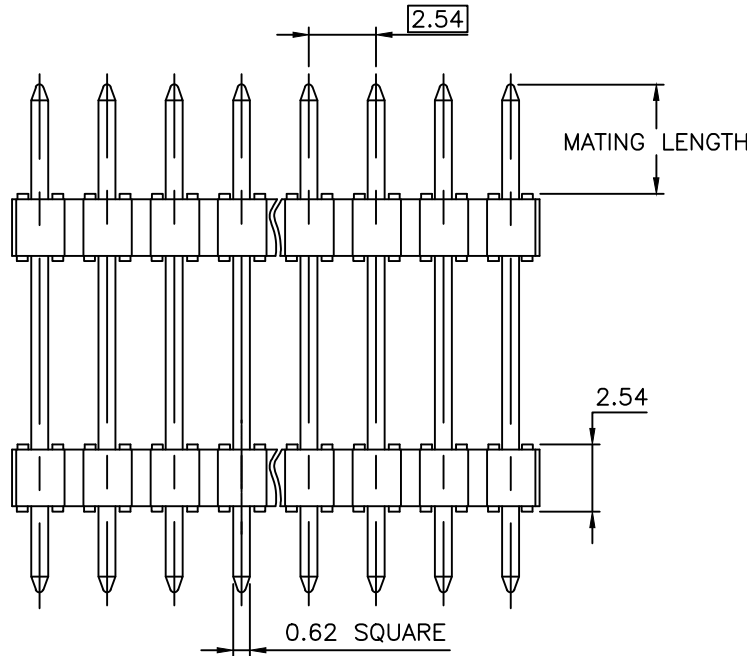
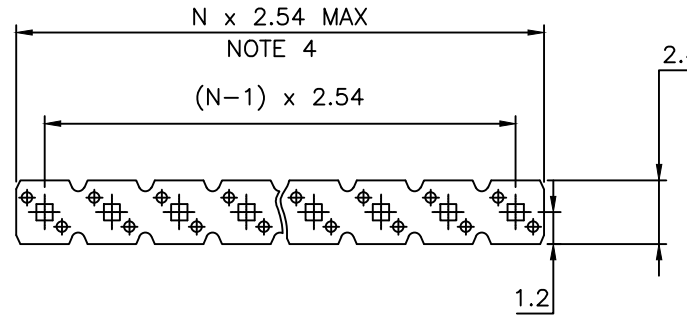
PRODUCT NUMBER
75970-YXX-XXLF

RoHS COMPATIBLE, SEE NOTE 7
TOTAL NB OF POS (02 TO 36 POS)

PLATING- PIN STYLE

1 = 0.76µm FULL GOLD/GXT,
3 = 2µm MIN MATTE TIN FULL PLATED
7 = FULL GOLD FLASH,
5/8 = 0.38µm FULL GOLD/GXT,

S1 = 0.76µm GOLD/GXT, AREA "A" & "B" ONLY
1.27µm Ni MIN ON REMAINDER AREA
S8 = 0.38µm GOLD/GXT, AREA "A" & "B" ONLY
1.27µm MIN NICKEL UNDERPLATING



NOTES:

- HOUSING MAT'L : HIGH TEMPERATURE THERMOPLASTIC. UL94V-0 COLOR: BLACK.
- PIN MATERIAL : PHOSPHOR BRONZE.
- 12N MIN RETENTION IN EITHER DIRECTION.
- TO DETERMINE DIMENSIONS :
N = NUMBER OF POSITIONS PER ROW
EXAMPLE : 8 POS PER ROW, N x 2.54 = 20.32mm
- FOR STANDARD SELECTIVE GOLD PLATED PRODUCTS SEE DRAWINGS 54111 & 54121.
- STANDARD PACKAGING IN POLYBAGS.

7. RoHS COMPATIBLE PRODUCT SPECIFICATIONS

a - PLATING:

- "LF" MEANS THE PRODUCT IS LEAD-FREE, 2µm MINIMUM MATTE TIN OVER 1.27µm MINIMUM NICKEL UNDERPLATE.

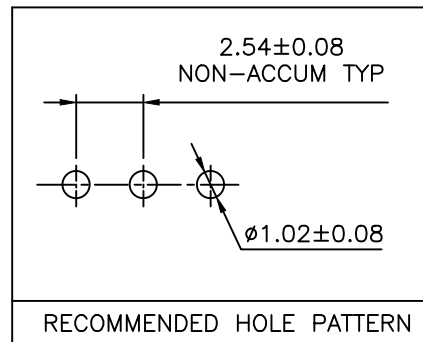
b - MANUFACTURING PROCESS COMPATIBILITY

- THE HOUSING WILL WITHSTAND EXPOSURE TO 260°C ±5°C SOLDER BATH TEMPERATURE FOR 5 SECONDS IN A WAVE SOLDER APPLICATION WITH A 1.6mm MIN THICK CIRCUIT BOARD.

c - LABELING:

- MEETS PACKAGING SPECS AS PER GS-14-920

d - LEGAL STATEMENT: SEE GS-47-0004.



mat'l. code		surface		tolerance		projection		product family	
SEE P/N		ISO 1302 ✓		ISO 406 ISO 1101		mm		BSTIK	
ltr	ecn no	dr	date	tolerances unless otherwise specified		mm		title	
DG	F-22058	BVE	15.09.28	angles	linear	x.x ±0.30		HEADER STR,SR	
DH	F-22107	AMA	15.10.08			x.xx ±0.13		DOUBLE BODY	
DJ	F-22317	AMA	15.10.27			x.xxx ±0.05		scale 5:1	
DK	F-24965	DDE	16.09.19	dr	COMPAGNON J	94.07.01		dwg no	
				engr	JMC	95.09.25		sheet 1 of 3	
DE	B-16687	LMU	14.01.08	chr				size	
DF	B-19264	LMU	14.11.03	appd	JMC	95.09.25		75970 A3	
								type	
								CUSTOMER Drawing	
sheet	revision	DK	CG	B					
index	sheet	1	2	3					



Copyright FCJ

1 | 2 | 3 | 4 | 5 | 6

APPLICATION SPECIFIC				
PIN STYLE	DIM "A" ±0.2	STACK HEIGHT ±0.25	DIM "B" ±0.25	("OAL") REF
01	9.99	13	3.05	26.04
04	6.33	6.5	3.05	15.88
05	11.69	11.3	3.05	26.04
06	8.71	19.76	2.65	31.12
08	5.51	8	3.05	16.56
09	6.61	11.3	3.05	20.96
10	3.14	19.76	3.14	26.04
11	3.55	16.4	3.55	23.5
12	5.72	5.08	2.54	13.34
15	7.46	9.5	4	20.96
16	5.59	13	3.05	21.64
20	5.6	6.5	2.88	14.98
21	7.5	10.45	3.01	20.96
22	7.5	15.45	3.09	26.04
25	17.3	15.7	3.2	36.2
26	9.1	15.7	3.2	28
29	8.23	16	3.2	27.43
30	2.8	13.7	2.8	19.3
31	3.11	5.08	3.11	11.3
36	5.9	10.39	3.01	19.3
41	9.45	5.5	2.7	17.65
56	10	19	3	32
58	6.5	30.5	3	40
68	6.87	16.5	3.05	26.42
69	6.87	13	3.63	23.5
75	3.1	11.45	3.1	17.65
90	7.8	33.5	3.15	44.45
93	3.3	6.5	3.3	13.08

SEE SHEET 3

APPLICATION SPECIFIC				
PIN STYLE	DIM "A" ±0.2	STACK HEIGHT ±0.25	DIM "B" ±0.25	("OAL") REF
94	3.3	7.72	3.3	14.32
AA	4.05	10.5	3.1	17.65
AB	4	29	3.2	36.2
AJ	1.4	6.5	3.4	11.3
AK	11	6	11	28
AL	8.5	6	8.5	23.0
AM	5.6	29.3	3.05	37.95
AN	12.0	26.45	6.0	44.45
AP	3.42	37.60	3.43	44.45
AR	4.00	28.00	3.70	35.70
AS	8.08	5.08	2.74	15.90
AT	4.25	31.50	4.25	40.00
AU	7.94	5.08	7.94	20.96
AV	17.50	26.50	6.00	50.00
AW	4.95	6.00	4.95	15.90
AX	2.66	15.00	5.84	23.50
AY	8.60	6.00	8.60	23.20
BA	SEE SHEET 3			
BB	SEE SHEET 3			
BC	16.65	14.70	6.00	37.30
BD	7.01	5.25	9.39	21.65
BE	3.00	13.00	3.00	19.00

SEE SHEET 3

SEE SHEET 3

SEE SHEET 3



FCconnect.com

Copyright FCJ

mat'l. code		surface		tolerance		projection		product family	
		ISO 1302		ISO 406 ISO 1101				BSTIK	
ltr		ecn no		dr		date		title	
CA		F12-009D		JFA		12.12.07		HEADER STR,SR	
CB		B-16687		LMU		14.01.08		DOUBLE BODY	
CD		B-19264		LMU		14.11.03		scale	
CE		F-22058		BVE		15.09.28			
CF		F-22107		AMA		15.10.08		dwg no	
CG		F-22317		AMA		15.10.27		sheet 2 of	
				appd		JM P		95.03.21	
sheet index		revision sheet						size	
								75970 A3	
								type CUSTOMER Drawing	

form: A3 | 1 | 2 | 3 | 4 | 5 | 6

1

2

4

5

6

SPECIFIC PRODUCT NUMBER

75970-3BAA03LF

PLATING

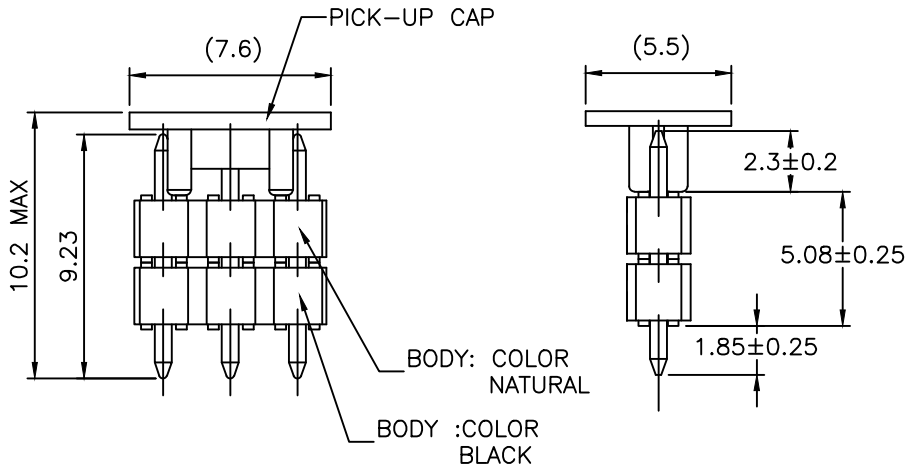
3 = 2µm MATTE TIN
OVER 1.27µm Ni MIN

MEANS RoHS, SEE SHEET 1

TOTAL NB OF POS

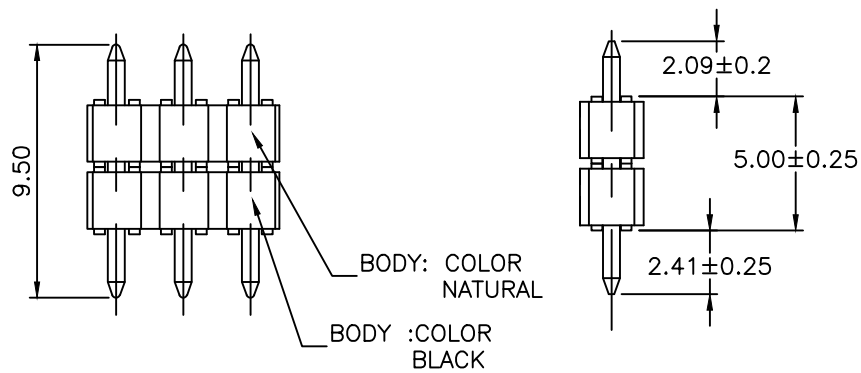
PRODUCT PACKED IN TAPE
& REEL WITH PICK UP CAP

PIN STYLE



SPECIFIC PRODUCT NUMBER

75970-3BB-XXLF



FOR OTHERS SPECIFICATIONS AND DIMENSIONS SEE SHEET 1

SPECIFICS PLATING AREA FOR PART NUMBERS :

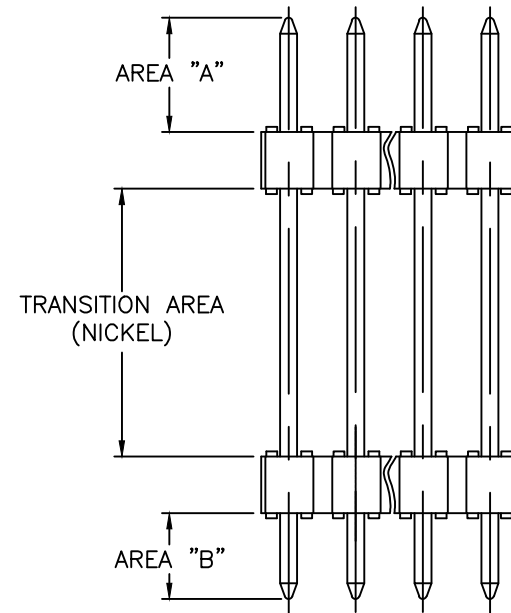
P/N 75970-1AN-02LF

P/N 75970-590R30LF

P/N 75970-8AU-02LF

P/N 75970-8AP-04LF

AREA "A" & "B" : GOLD/GXT PLATING AREA



FCIconnect.com

Copyright FCI

mat'l. code		surface		tolerance		projection		product family	
		ISO 1302		ISO 406		ISO 1101		BSTIK	
lfr		ecn no		dr		date		title	
A		B-16687		LMU		14.01.08		HEADER STR,SR	
B		B-19264		LMU		14.11.03		DOUBLE BODY	
		angles		linear		mm		scale	
		dr		L.MULIN		13.02.15		dwg no	
		enr		J.COMPAGNON		13.02.15		sheet 3 of	
		chr		J.COMPAGNON		13.02.15		75970	
		app		J.COMPAGNON		13.02.15		A3	
sheet index		revision sheet						type CUSTOMER Drawing	

1

2

3

4

5

6