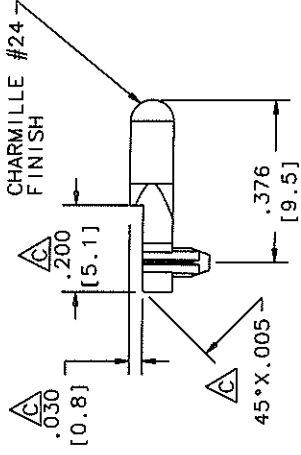
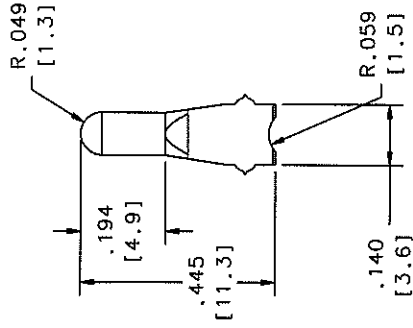


REVISIONS

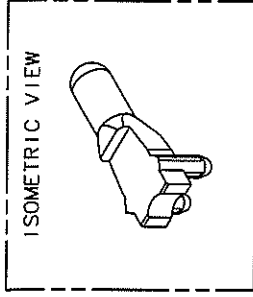
REV	ECR NO	DESCRIPTION	DATE
A	20960	NEW RELEASE	9/24/01
B	21161	40° DIM. WAS 60° (JL)	11/20/01
C	21317	TOP SURFACE WAS FLAT	1/23/02
D	22465	ADDED 7511B12-C (JL)	4/17/03
E	22702	ADDED TAB DIM. "B", "C"	7/22/03

NOTES:

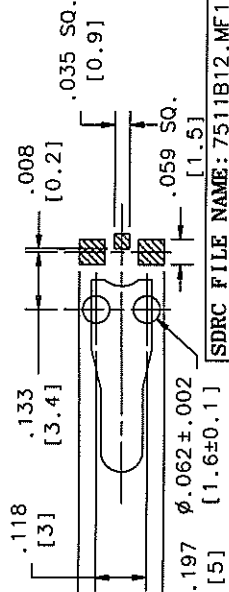
- 1-PART DESIGNED TO BE USED WITH CMD12-21 SERIES RIGHT ANGLE LED.
- 2-MATERIAL: CLEAR POLYCARBONATE UL94V-0.
- 3-PARTS TO BE FREE OF BUBBLES AND BLACK SPECKS THAT MAY INHIBIT LIGHT OUTPUT WHEN VIEWED AT THE NORMAL VIEWING ANGLE.
- 4-ALL SURFACES MUST HAVE A FINISH OF 15u INCH UNLESS OTHERWISE SPECIFIED.



MODEL NO.	DIM. "A"	DIM. "B"	DIM. "C"
7511B12-B	.085±.005	40°	.027
7511B12-C	.060±.003	45°	.010



MOUNTING HOLES AND PAD LAYOUT



FOR INSPECTION USE ONLY  
 SPC DOCUMENTATION REQ. (X R CHARTS)

DATE	DATE	DATE	DATE
JL 9/01	DATE	DATE	DATE
DESIGNED BY	DATE	DATE	DATE
ENG. PROJ.	DATE	DATE	DATE

THIS DIM IS THE PROPERTY OF CHICAGO MINIATURE LAMP, INC AND IS PROPRIETARY IN GENERAL AND IN DETAIL. IT SHALL NOT BE COPIED OR ITS CONTENTS REVEALED TO OUTSIDE PARTIES WITHOUT THE WRITTEN CONSENT OF CHICAGO MINIATURE LAMP, INC

**CHICAGO MINIATURE LAMP, INC**  
 147 CENTRAL AVE., HACKENSACK, NJ 07601

TITLE: SINGLE POSITION LIGHT PIPE

DIST. S DWG NO **B17198** REV E

SCALE: 4:1 SHEET

**ORIGINAL**  
 WHEN RED