

74LVT16245B; 74LVTH16245B

3.3 V 16-bit transceiver; 3-state

Rev. 10 — 1 March 2012

Product data sheet

1. General description

The 74LVT16245B; 74LVTH16245B is a high-performance BiCMOS product designed for V_{CC} operation at 3.3 V.

This device is a 16-bit transceiver featuring non-inverting 3-state bus compatible outputs in both send and receive directions. The control function implementation minimizes external timing requirements. The device features an output enable input (\overline{nOE}) for easy cascading and a direction input ($nDIR$) for direction control.

2. Features and benefits

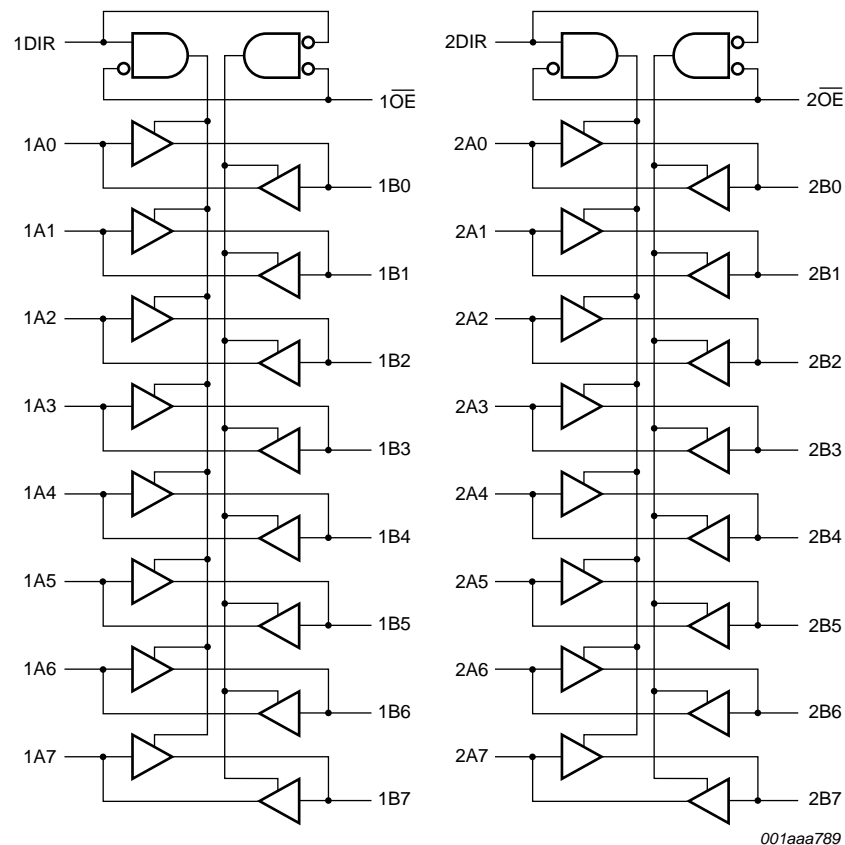
- 16-bit bidirectional bus interface
- 3-state buffers
- Output capability: +64 mA and –32 mA
- TTL input and output switching levels
- Input and output interface capability to systems at 5 V supply
- Bus hold data inputs eliminate need for external pull-up resistors to hold unused inputs
- Live insertion and extraction permitted
- Power-up 3-state
- No bus current loading when output is tied to 5 V bus
- Latch-up protection:
 - ◆ JESD78B Class II exceeds 500 mA
- ESD protection:
 - ◆ HBM JESD22-A114F exceeds 2000 V
 - ◆ MM JESD22-A115-A exceeds 200 V

3. Ordering information

Table 1. Ordering information

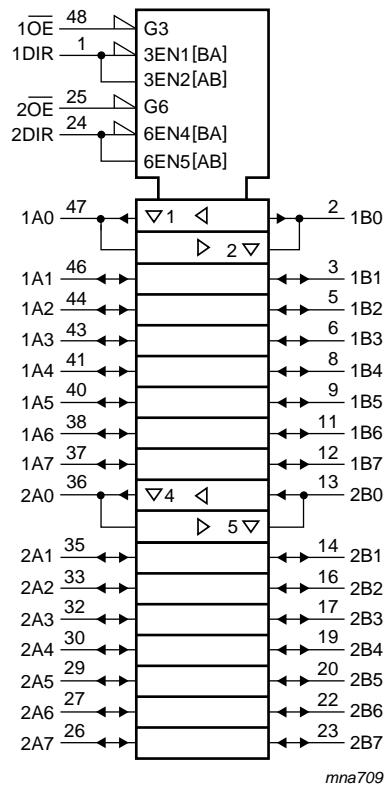
Type number	Package			Version
	Temperature range	Name	Description	
74LVT16245BDL 74LVTH16245BDL	-40 °C to +85 °C	SSOP48	plastic shrink small outline package; 48 leads; body width 7.5 mm	SOT370-1
74LVT16245BDGG 74LVTH16245BDGG	-40 °C to +85 °C	TSSOP48	plastic thin shrink small outline package; 48 leads; body width 6.1 mm	SOT362-1
74LVT16245BEV	-40 °C to +85 °C	VFPGA56	plastic very thin fine-pitch ball grid array package; 56 balls; body 4.5 × 7 × 0.65 mm	SOT702-1
74LVT16245BBX 74LVTH16245BBX	-40 °C to +125 °C	HXQFN60	plastic compatible thermal enhanced extremely thin quad flat package; no leads; 60 terminals; body 4 × 6 × 0.5 mm	SOT1134-2

4. Functional diagram



Pin numbers are shown for SSOP48 and TSSOP48 packages only.

Fig 1. Logic symbol

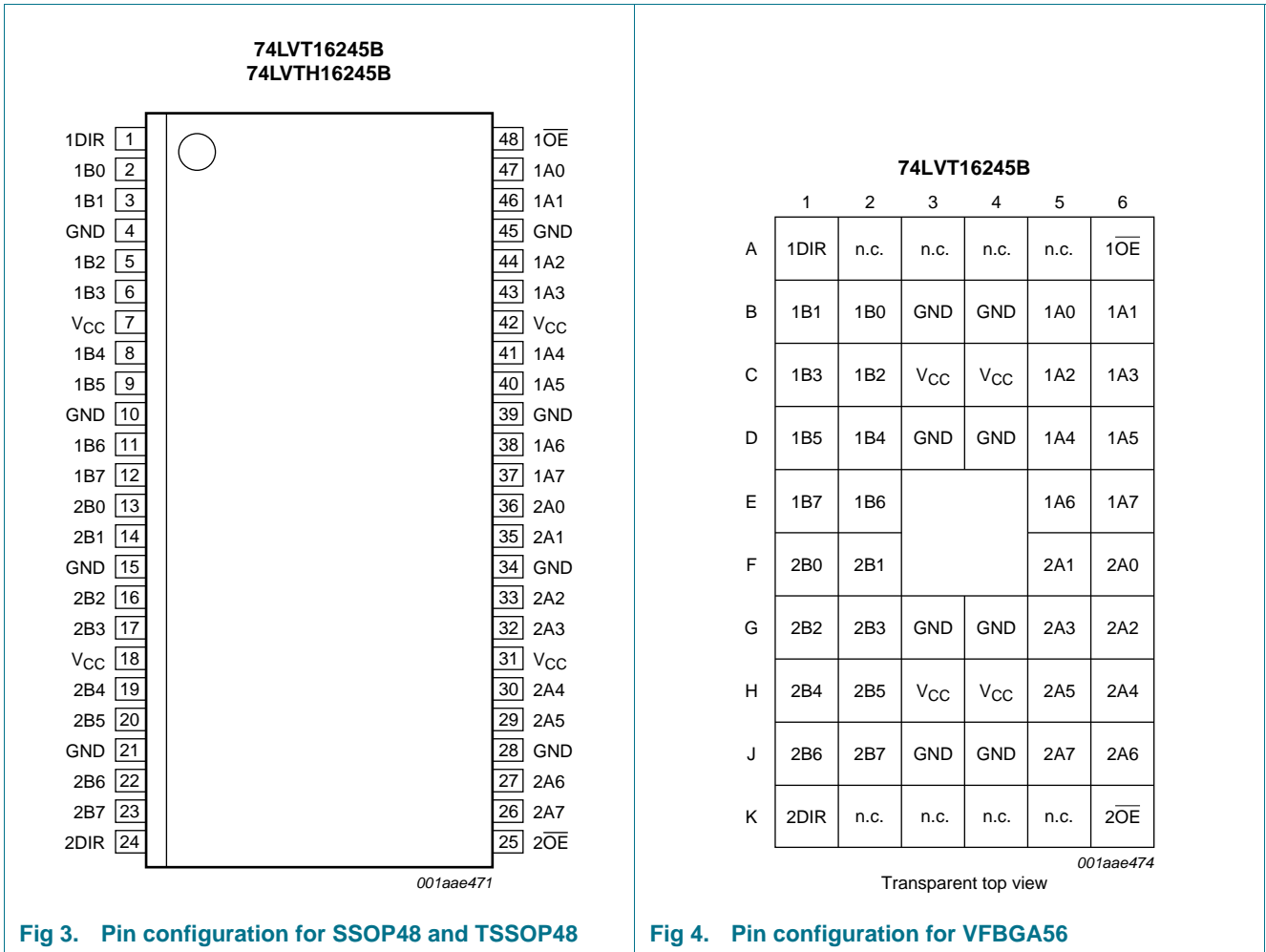


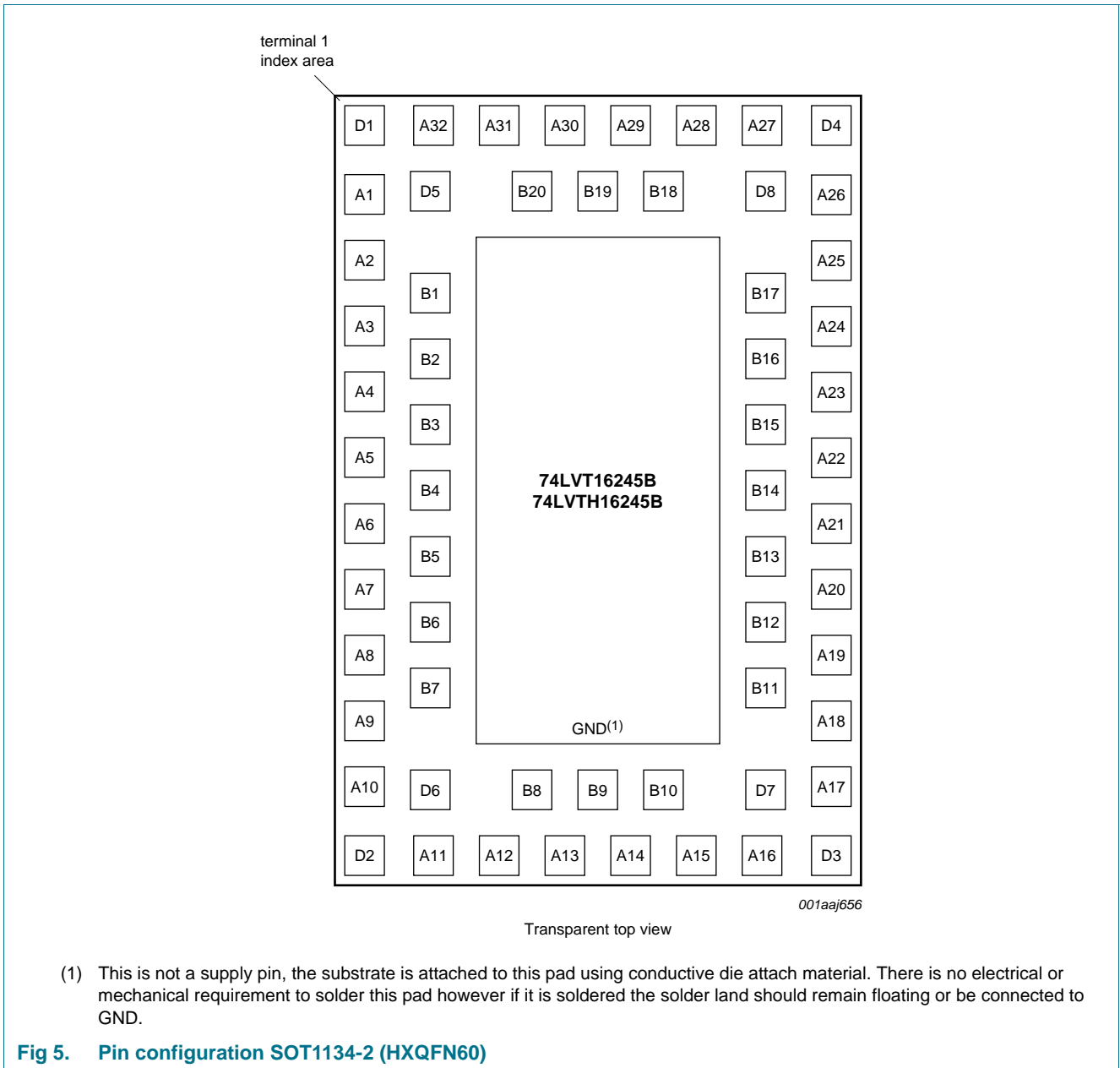
Pin numbers are shown for SSOP48 and TSSOP48 packages only.

Fig 2. IEC logic symbol

5. Pinning information

5.1 Pinning





5.2 Pin description

Table 2. Pin description

Symbol	Pin			Description
	SOT370-1 and SOT362-1	SOT702-1	SOT1134-2	
1DIR, 2DIR	1, 24	A1, K1	A30, A13	direction control input
1B0 to 1B7	2, 3, 5, 6, 8, 9, 11, 12	B2, B1, C2, C1, D2, D1, E2, E1	B20, A31, D5, D1, A2, B2, B3, A5	data input/output
2B0 to 2B7	13, 14, 16, 17, 19, 20, 22, 23	F1, F2, G1, G2, H1, H2, J1, J2	A6, B5, B6, A9, D2, D6, A12, B8	data input/output
GND	4, 10, 15, 21, 28, 34, 39, 45	B3, D3, G3, J3, J4, G4, D4, B4	A32, A3, A8, A11, A16, A19, A24, A27	ground (0 V)
V _{CC}	7, 18, 31, 42	C3, H3, H4, C4	A1, A10, A17, A26	supply voltage
1OE, 2OE	48, 25	A6, K6	A29, A14	output enable input (active LOW)
2A0 to 2A7	36, 35, 33, 32, 30, 29, 27, 26	F6, F5, G6, G5, H6, H5, J6, J5	A21, B13, B12, A18, D3, D7, A15, B10	data input/output
1A0 to 1A7	47, 46, 44, 43, 41, 40, 38, 37	B5, B6, C5, C6, D5, D6, E5, E6	B18, A28, D8, D4, A25, B16, B15, A22	data input/output
n.c.	-	A2, A3, A4, A5, K2, K3, K4, K5	A4, A7, A20, A23, B1, B4, B7, B9, B11, B14, B17, B19	not connected

6. Functional description

6.1 Function table

Table 3. Function table [1]

Control		Input/output	
nOE	nDIR	nAn	nBn
L	L	output nAn = nBn	input
L	H	input	output nBn = nAn
H	X	Z	Z

- [1] H = HIGH voltage level;
 L = LOW voltage level;
 X = don't care;
 Z = high-impedance OFF-state.

7. Limiting values

Table 4. Limiting values

In accordance with the Absolute Maximum Rating System (IEC 60134). Voltages are referenced to GND (ground = 0 V).

Symbol	Parameter	Conditions	Min	Max	Unit
V_{CC}	supply voltage		-0.5	+4.6	V
V_I	input voltage		[1] -0.5	+7.0	V
V_O	output voltage	output in OFF-state or HIGH-state	[1] -0.5	+7.0	V
I_{IK}	input clamping current	$V_I < 0$ V	-50	-	mA
I_{OK}	output clamping current	$V_O < 0$ V	-50	-	mA
I_O	output current	output in LOW-state	-	128	mA
		output in HIGH-state	-64	-	mA
T_{stg}	storage temperature		-65	+150	°C
T_j	junction temperature		[2] -	150	°C
P_{tot}	total power dissipation	$T_{amb} = -40$ °C to +85 °C;			
		(T)SSOP48 package	[3] -	500	mW
		VFBGA56 package	[4] -	1000	mW
		HXQFN60 package	[4] -	1000	mW

- [1] The input and output negative voltage ratings may be exceeded if the input and output clamp current ratings are observed.
- [2] The performance capability of a high-performance integrated circuit in conjunction with its thermal environment can create junction temperatures which are detrimental to reliability.
- [3] Above 60 °C the value of P_{tot} derates linearly with 5.5 mW/K.
- [4] Above 70 °C the value of P_{tot} derates linearly with 1.8 mW/K.

8. Recommended operating conditions

Table 5. Recommended operating conditions

Symbol	Parameter	Conditions	Min	Typ	Max	Unit
V_{CC}	supply voltage		2.7	-	3.6	V
V_I	input voltage		0	-	5.5	V
V_{IH}	HIGH-level input voltage		2.0	-	-	V
V_{IL}	LOW-level input voltage		-	-	0.8	V
I_{OH}	HIGH-level output current		-32	-	-	mA
I_{OL}	LOW-level output current	none	-	-	32	mA
		current duty cycle ≤ 50 %; $f_i \geq 1$ kHz	-	-	64	mA
T_{amb}	ambient temperature	in free-air	-40	-	+85	°C
$\Delta t/\Delta V$	input transition rise and fall rate	outputs enabled	-	-	10	ns/V

9. Static characteristics

Table 6. Static characteristics

At recommended operating conditions; voltages are referenced to GND (ground = 0 V).

Symbol	Parameter	Conditions	Min	Typ	Max	Unit	
$T_{amb} = -40\text{ °C to }+85\text{ °C}$[1]							
V_{IK}	input clamping voltage	$V_{CC} = 2.7\text{ V}; I_{IK} = -18\text{ mA}$	-1.2	-0.85	-	V	
V_{OH}	HIGH-level output voltage	$I_{OH} = -100\text{ }\mu\text{A}; V_{CC} = 2.7\text{ V to }3.6\text{ V}$	$V_{CC} - 0.2$	V_{CC}	-	V	
		$I_{OH} = -8\text{ mA}; V_{CC} = 2.7\text{ V}$	2.4	2.5	-	V	
		$I_{OH} = -32\text{ mA}; V_{CC} = 3.0\text{ V}$	2.0	2.3	-	V	
V_{OL}	LOW-level output voltage	$V_{CC} = 2.7\text{ V}$					
		$I_{OL} = 100\text{ }\mu\text{A}$	-	0.07	0.2	V	
		$I_{OL} = 24\text{ mA}$	-	0.3	0.5	V	
		$V_{CC} = 3.0\text{ V}$					
		$I_{OL} = 16\text{ mA}$	-	0.25	0.4	V	
		$I_{OL} = 32\text{ mA}$	-	0.3	0.5	V	
I_I	input leakage current	control pins					
		$V_{CC} = 3.6\text{ V}; V_I = V_{CC}\text{ or GND}$	-	0.1	± 1	μA	
		$V_{CC} = 0\text{ V or }3.6\text{ V}; V_I = 5.5\text{ V}$	-	0.1	10	μA	
		input/output data pins; $V_{CC} = 3.6\text{ V}$	[2]				
		$V_I = 5.5\text{ V}$	-	0.1	20	μA	
		$V_I = V_{CC}$	-	0.5	10	μA	
I_{OFF}	power-off leakage current	$V_{CC} = 0\text{ V}; V_I\text{ or }V_O = 0\text{ V to }4.5\text{ V}$	-	0.1	± 100	μA	
		$V_{CC} = 3\text{ V}; V_I = 0.8\text{ V}$	[3]	75	135	-	μA
I_{BHL}	bus hold LOW current	$V_{CC} = 3\text{ V}; V_I = 0.8\text{ V}$	[3]	75	135	-	μA
I_{BHH}	bus hold HIGH current	$V_{CC} = 3\text{ V}; V_I = 2.0\text{ V}$	-	-135	-75	μA	
I_{BHLO}	bus hold LOW overdrive current	nAn input; $V_I = 0\text{ V to }3.6\text{ V}; V_{CC} = 3.6\text{ V}$	500	-	-	μA	
I_{BHHO}	bus hold HIGH overdrive current	nAn input; $V_I = 0\text{ V to }3.6\text{ V}; V_{CC} = 3.6\text{ V}$	-	-	-500	μA	
I_{LO}	output leakage current	output in HIGH-state when $V_O > V_{CC}$; $V_O = 5.5\text{ V}; V_{CC} = 3.0\text{ V}$	-	75	125	μA	
$I_{O(pu/pd)}$	power-up/power-down output current	$V_{CC} \leq 1.2\text{ V}; V_O = 0.5\text{ V to }V_{CC}; V_I = \text{GND or }V_{CC}; \overline{nOE} = \text{don't care}$	[4]	-	40	± 100	μA
I_{CC}	supply current	$V_{CC} = 3.6\text{ V}; V_I = \text{GND or }V_{CC}; I_O = 0\text{ A}$					
		outputs HIGH	-	0.07	0.12	mA	
		outputs LOW	-	4.7	6.0	mA	
		outputs disabled	[5]	-	0.07	0.12	mA
ΔI_{CC}	additional supply current	per input pin; $V_{CC} = 3.0\text{ V to }3.6\text{ V}$; one input at $V_{CC} - 0.6\text{ V}$, other inputs at V_{CC} or GND	[6]	-	0.1	0.2	mA
C_I	input capacitance	pins nDIR and \overline{nOE} , $V_O = 0\text{ V or }3.0\text{ V}$	-	3	-	pF	

Table 6. Static characteristics ...continued

At recommended operating conditions; voltages are referenced to GND (ground = 0 V).

Symbol	Parameter	Conditions	Min	Typ	Max	Unit
$C_{io(off)}$	off-state input/output capacitance	pins nAn and nBn, outputs disabled; $V_O = GND$ or V_{CC}	-	9	-	pF

[1] Typical values are measured at $V_{CC} = 3.3$ V and at $T_{amb} = 25$ °C.[2] Unused pins at V_{CC} or GND.

[3] This is the bus hold overdrive current required to force the input to the opposite logic state.

[4] This parameter is valid for any V_{CC} between 0 V and 1.2 V with a transition time of up to 10 ms. From $V_{CC} = 1.2$ V to $V_{CC} = 3.3$ V \pm 0.3 V a transition time of 100 μ s is permitted. This parameter is valid for $T_{amb} = 25$ °C only.[5] I_{CC} is measured with outputs pulled to V_{CC} or GND.[6] This is the increase in supply current for each input at the specified voltage level other than V_{CC} or GND.

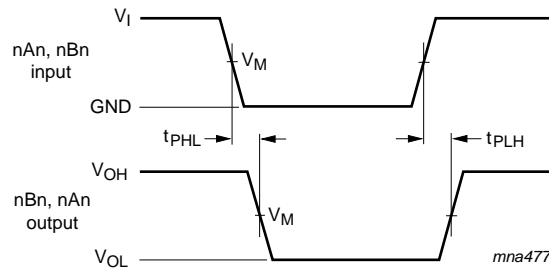
10. Dynamic characteristics

Table 7. Dynamic characteristicsVoltages are referenced to GND (ground = 0 V); for test circuit see [Figure 8](#).

Symbol	Parameter	Conditions	Min	Typ ^[1]	Max	Unit
$T_{amb} = -40$ °C to $+85$ °C						
t_{PLH}	LOW to HIGH propagation delay	nAn to nBn or nBn to nAn; see Figure 6				
		$V_{CC} = 2.7$ V	-	-	3.5	ns
		$V_{CC} = 3.0$ V to 3.6 V	1.0	1.9	3.3	ns
t_{PHL}	HIGH to LOW propagation delay	nAn to nBn or nBn to nAn; see Figure 6				
		$V_{CC} = 2.7$ V	-	-	3.5	ns
		$V_{CC} = 3.0$ V to 3.6 V	1.0	1.7	3.3	ns
t_{PZH}	OFF-state to HIGH propagation delay	\overline{nOE} to nAn or nBn; see Figure 7				
		$V_{CC} = 2.7$ V	-	-	5.3	ns
		$V_{CC} = 3.0$ V to 3.6 V	1.0	2.8	4.5	ns
t_{PZL}	OFF-state to LOW propagation delay	\overline{nOE} to nAn or nBn; see Figure 7				
		$V_{CC} = 2.7$ V	-	-	5.1	ns
		$V_{CC} = 3.0$ V to 3.6 V	1.0	2.8	4.1	ns
t_{PHZ}	HIGH to OFF-state propagation delay	\overline{nOE} to nAn or nBn; see Figure 7				
		$V_{CC} = 2.7$ V	-	-	5.7	ns
		$V_{CC} = 3.0$ V to 3.6 V	1.5	3.2	5.1	ns
t_{PLZ}	LOW to OFF-state propagation delay	\overline{nOE} to nAn or nBn; see Figure 7				
		$V_{CC} = 2.7$ V	-	-	4.6	ns
		$V_{CC} = 3.0$ V to 3.6 V	1.5	3.0	4.6	ns

[1] All typical values are at $V_{CC} = 3.3$ V and $T_{amb} = 25$ °C.

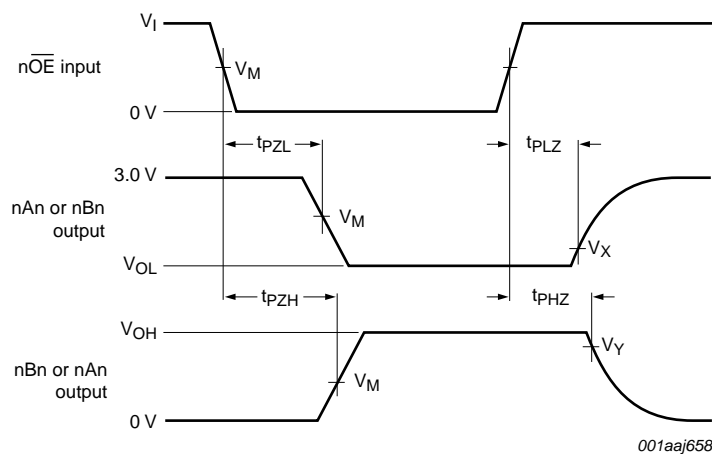
11. Waveforms



Measurements points are given in [Table 8](#).

V_{OL} and V_{OH} are typical voltage output levels that occur with the output load.

Fig 6. Propagation delay input (nAn, nBn) to output (nBn, nAn)



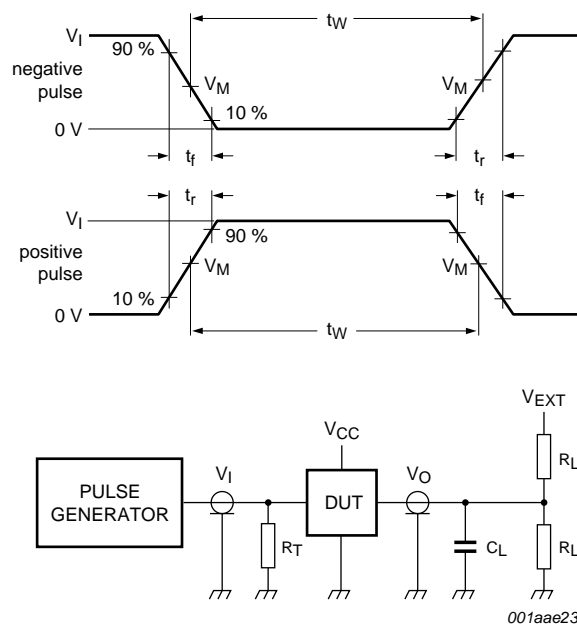
Measurements points are given in [Table 8](#).

V_{OL} and V_{OH} are typical voltage output levels that occur with the output load.

Fig 7. 3-state output enable and disable times

Table 8. Measurement points

Input	Output		
V_M	V_M	V_X	V_Y
1.5 V	1.5 V	$V_{OL} + 0.3 V$	$V_{OH} - 0.3 V$



Test data is given in [Table 9](#).

Definitions test circuit:

R_L = Load resistance.

C_L = Load capacitance including jig and probe capacitance.

R_T = Termination resistance should be equal to output impedance Z_o of the pulse generator.

V_{EXT} = External voltage for measuring switching times.

Fig 8. Test circuit for measuring switching times

Table 9. Test data

Input				Load		V_{EXT}		
V_I	f_i	t_W	t_r, t_f	C_L	R_L	t_{PHZ}, t_{PZH}	t_{PLZ}, t_{PZL}	t_{PLH}, t_{PHL}
2.7 V	≤ 10 MHz	500 ns	≤ 2.5 ns	50 pF	500 Ω	GND	6 V	open

12. Package outline

SSOP48: plastic shrink small outline package; 48 leads; body width 7.5 mm

SOT370-1

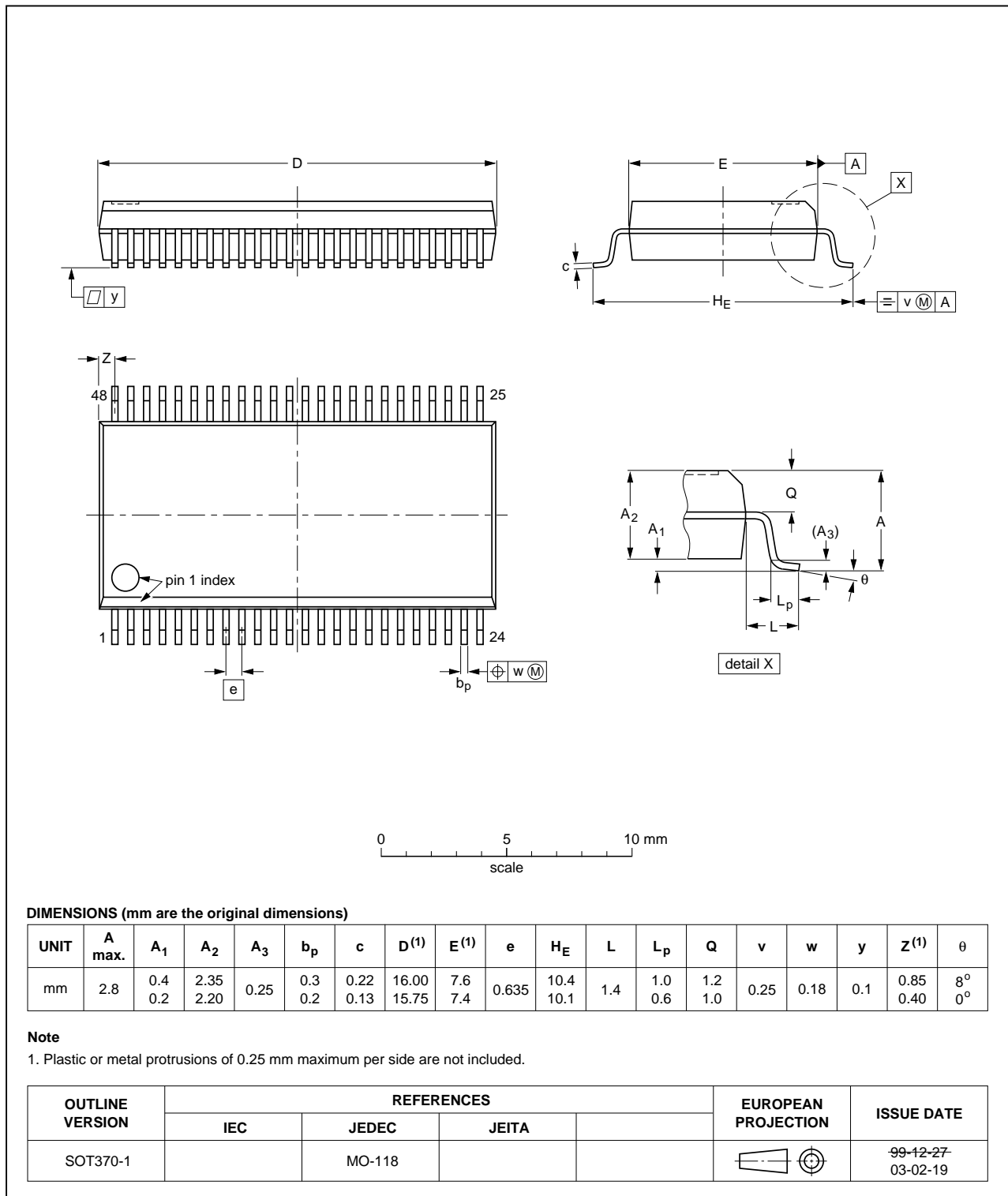


Fig 9. Package outline SOT370-1 (SSOP48)

TSSOP48: plastic thin shrink small outline package; 48 leads; body width 6.1 mm

SOT362-1

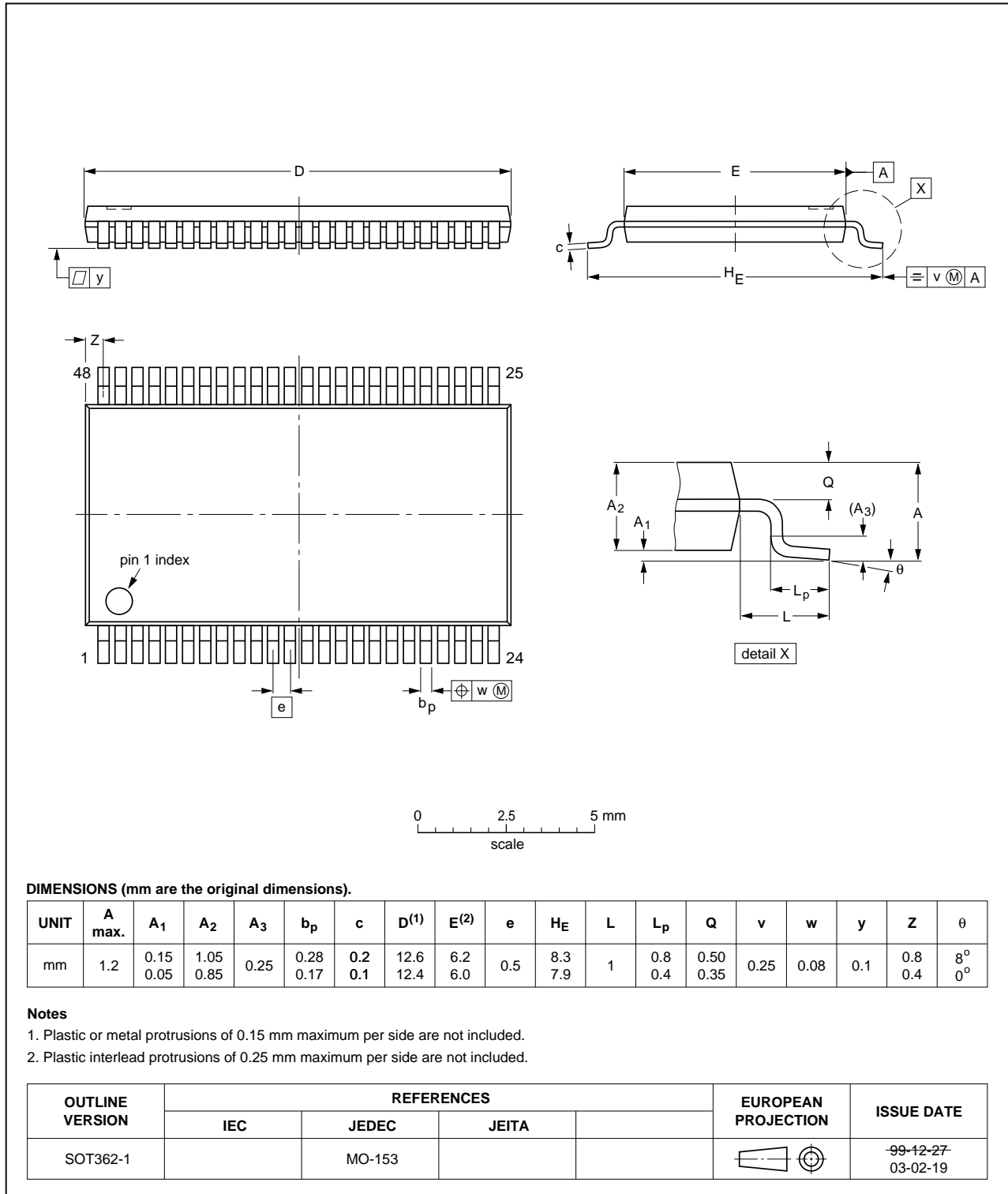


Fig 10. Package outline SOT362-1 (TSSOP48)

VFBA56: plastic very thin fine-pitch ball grid array package; 56 balls; body 4.5 x 7 x 0.65 mm

SOT702-1

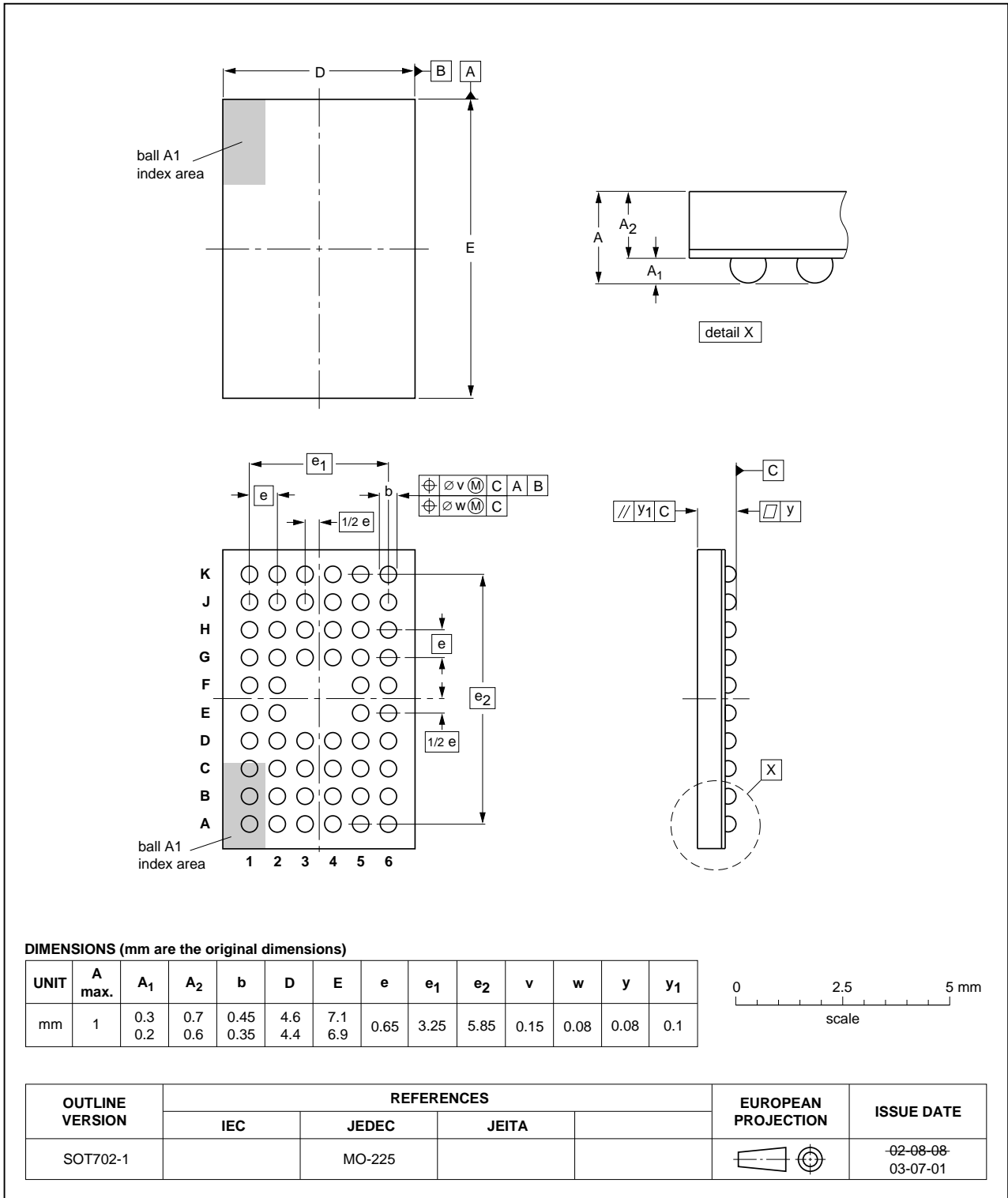


Fig 11. Package outline SOT702-1 (VFBA56)

HXQFN60: plastic compatible thermal enhanced extremely thin quad flat package; no leads; 60 terminals; body 4 x 6 x 0.5 mm

SOT1134-2

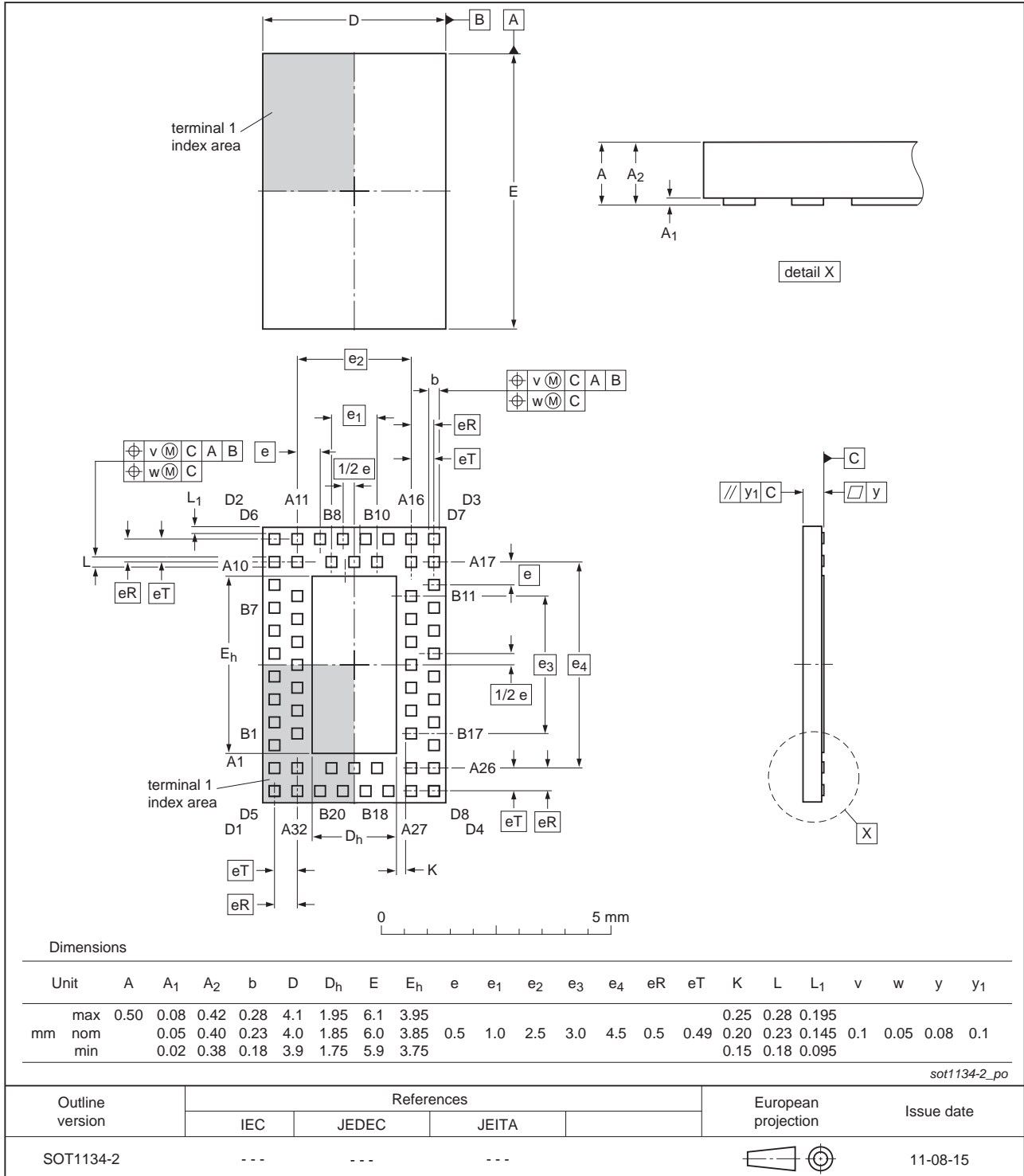


Fig 12. Package outline SOT1134-2 (HXQFN60)

13. Abbreviations

Table 10. Abbreviations

Acronym	Description
BiCMOS	Bipolar Complementary Metal Oxide Semiconductor
DUT	Device Under Test
ESD	ElectroStatic Discharge
HBM	Human Body Model
MM	Machine Model
TTL	Transistor-Transistor Logic

14. Revision history

Table 11. Revision history

Document ID	Release date	Data sheet status	Change notice	Supersedes
74LVT_LVTH16245B v.10	20120301	Product data sheet	-	74LVT_LVTH16245B v.9
Modifications:	<ul style="list-style-type: none"> For type number 74LVT16245BBX and 74LVTH16245BBX the sot code has changed to SOT1134-2. 			
74LVT_LVTH16245B v.9	20111122	Product data sheet	-	74LVT_LVTH16245B v.8
Modifications:	<ul style="list-style-type: none"> Legal pages updated. 			
74LVT_LVTH16245B v.8	20110617	Product data sheet	-	74LVT_LVTH16245B v.7
74LVT_LVTH16245B v.7	20100329	Product data sheet	-	74LVT_LVTH16245B v.6
74LVT_LVTH16245B v.6	20090409	Product data sheet	-	74LVT_LVTH16245B v.5
74LVT_LVTH16245B v.5	20090312	Product data sheet	-	74LVT_LVTH16245B v.4
74LVT_LVTH16245B v.4	20060323	Product data sheet	-	74LVT16245B v.3
74LVT16245B v.3	20021031	Product data sheet	-	74LVT16245B v.2
74LVT16245B v.2	19980219	Product specification	-	74LVT16245B v.1
74LVT16245B v.1	19940523	Product specification	-	-

15. Legal information

15.1 Data sheet status

Document status ^{[1][2]}	Product status ^[3]	Definition
Objective [short] data sheet	Development	This document contains data from the objective specification for product development.
Preliminary [short] data sheet	Qualification	This document contains data from the preliminary specification.
Product [short] data sheet	Production	This document contains the product specification.

[1] Please consult the most recently issued document before initiating or completing a design.

[2] The term 'short data sheet' is explained in section "Definitions".

[3] The product status of device(s) described in this document may have changed since this document was published and may differ in case of multiple devices. The latest product status information is available on the Internet at URL <http://www.nexperia.com>.

15.2 Definitions

Draft — The document is a draft version only. The content is still under internal review and subject to formal approval, which may result in modifications or additions. Nexperia does not give any representations or warranties as to the accuracy or completeness of information included herein and shall have no liability for the consequences of use of such information.

Short data sheet — A short data sheet is an extract from a full data sheet with the same product type number(s) and title. A short data sheet is intended for quick reference only and should not be relied upon to contain detailed and full information. For detailed and full information see the relevant full data sheet, which is available on request via the local Nexperia sales office. In case of any inconsistency or conflict with the short data sheet, the full data sheet shall prevail.

Product specification — The information and data provided in a Product data sheet shall define the specification of the product as agreed between Nexperia and its customer, unless Nexperia and customer have explicitly agreed otherwise in writing. In no event however, shall an agreement be valid in which the Nexperia product is deemed to offer functions and qualities beyond those described in the Product data sheet.

15.3 Disclaimers

Limited warranty and liability — Information in this document is believed to be accurate and reliable. However, Nexperia does not give any representations or warranties, expressed or implied, as to the accuracy or completeness of such information and shall have no liability for the consequences of use of such information. Nexperia takes no responsibility for the content in this document if provided by an information source outside of Nexperia.

In no event shall Nexperia be liable for any indirect, incidental, punitive, special or consequential damages (including - without limitation - lost profits, lost savings, business interruption, costs related to the removal or replacement of any products or rework charges) whether or not such damages are based on tort (including negligence), warranty, breach of contract or any other legal theory.

Notwithstanding any damages that customer might incur for any reason whatsoever, Nexperia's aggregate and cumulative liability towards customer for the products described herein shall be limited in accordance with the *Terms and conditions of commercial sale* of Nexperia.

Right to make changes — Nexperia reserves the right to make changes to information published in this document, including without limitation specifications and product descriptions, at any time and without notice. This document supersedes and replaces all information supplied prior to the publication hereof.

Suitability for use — Nexperia products are not designed, authorized or warranted to be suitable for use in life support, life-critical or safety-critical systems or equipment, nor in applications where failure or malfunction of a Nexperia product can reasonably be expected to result in personal injury, death or severe property or environmental damage. Nexperia and its suppliers accept no liability for inclusion and/or use of Nexperia products in such equipment or applications and therefore such inclusion and/or use is at the customer's own risk.

Applications — Applications that are described herein for any of these products are for illustrative purposes only. Nexperia makes no representation or warranty that such applications will be suitable for the specified use without further testing or modification.

Customers are responsible for the design and operation of their applications and products using Nexperia products, and Nexperia accepts no liability for any assistance with applications or customer product design. It is customer's sole responsibility to determine whether the Nexperia product is suitable and fit for the customer's applications and products planned, as well as for the planned application and use of customer's third party customer(s). Customers should provide appropriate design and operating safeguards to minimize the risks associated with their applications and products.

Nexperia does not accept any liability related to any default, damage, costs or problem which is based on any weakness or default in the customer's applications or products, or the application or use by customer's third party customer(s). Customer is responsible for doing all necessary testing for the customer's applications and products using Nexperia products in order to avoid a default of the applications and the products or of the application or use by customer's third party customer(s). Nexperia does not accept any liability in this respect.

Limiting values — Stress above one or more limiting values (as defined in the Absolute Maximum Ratings System of IEC 60134) will cause permanent damage to the device. Limiting values are stress ratings only and (proper) operation of the device at these or any other conditions above those given in the Recommended operating conditions section (if present) or the Characteristics sections of this document is not warranted. Constant or repeated exposure to limiting values will permanently and irreversibly affect the quality and reliability of the device.

Terms and conditions of commercial sale — Nexperia products are sold subject to the general terms and conditions of commercial sale, as published at <http://www.nexperia.com/profile/terms>, unless otherwise agreed in a valid written individual agreement. In case an individual agreement is concluded only the terms and conditions of the respective agreement shall apply. Nexperia hereby expressly objects to applying the customer's general terms and conditions with regard to the purchase of Nexperia products by customer.

No offer to sell or license — Nothing in this document may be interpreted or construed as an offer to sell products that is open for acceptance or the grant, conveyance or implication of any license under any copyrights, patents or other industrial or intellectual property rights.

Export control — This document as well as the item(s) described herein may be subject to export control regulations. Export might require a prior authorization from competent authorities.

Non-automotive qualified products — Unless this data sheet expressly states that this specific Nexperia product is automotive qualified, the product is not suitable for automotive use. It is neither qualified nor tested in accordance with automotive testing or application requirements. Nexperia accepts no liability for inclusion and/or use of non-automotive qualified products in automotive equipment or applications.

In the event that customer uses the product for design-in and use in automotive applications to automotive specifications and standards, customer (a) shall use the product without Nexperia's warranty of the product for such automotive applications, use and specifications, and (b) whenever customer uses the product for automotive applications beyond

Nexperia's specifications such use shall be solely at customer's own risk, and (c) customer fully indemnifies Nexperia for any liability, damages or failed product claims resulting from customer design and use of the product for automotive applications beyond Nexperia's standard warranty and Nexperia's product specifications.

Translations — A non-English (translated) version of a document is for reference only. The English version shall prevail in case of any discrepancy between the translated and English versions.

15.4 Trademarks

Notice: All referenced brands, product names, service names and trademarks are the property of their respective owners.

16. Contact information

For more information, please visit: <http://www.nexperia.com>

For sales office addresses, please send an email to: salesaddresses@nexperia.com

17. Contents

1	General description	1
2	Features and benefits	1
3	Ordering information	2
4	Functional diagram	2
5	Pinning information	4
5.1	Pinning	4
5.2	Pin description	6
6	Functional description	6
6.1	Function table	6
7	Limiting values	7
8	Recommended operating conditions	7
9	Static characteristics	8
10	Dynamic characteristics	9
11	Waveforms	10
12	Package outline	12
13	Abbreviations	16
14	Revision history	16
15	Legal information	17
15.1	Data sheet status	17
15.2	Definitions	17
15.3	Disclaimers	17
15.4	Trademarks	18
16	Contact information	18
17	Contents	19