



Features

- 1.27 mm pitch
- Precious metal contacts
- Twin hot contacts (symmetrical pad layout)
- Pick & place compatible
- High cycle life
- RoHS compliant* - see [processing information](#) on RoHS compliant modular contacts
- Halogen free**

70AB/Male - Modular Contact

Materials & Finishes

Insulator.... Glass reinforced thermoplastic, UL 94V-0 rated, black
 Contact Copper alloy
 Finish
 Underplating..... 30 μ" min. Ni
 Contact Area 30 μ" min. Au over Ni

Operating Characteristics

Electrical
 Current Rating..... 3 A/contact
 Voltage Rating.....60 V
 Contact Resistance.... 25 milliohms max.
 Dielectric VoltageAC 500 V
 Insulating Resistance.. 1000 Mohms min.
 Operating Temperature
-55 °C to +125 °C

Mechanical
 Normal Force/Finger 40 grams min.
 Durability..... 50,000 cycles min.
 Contact Resistance after
 50,000 Cycles 50 mΩ
 MSL 1
 ESD Rating (HBM)3B

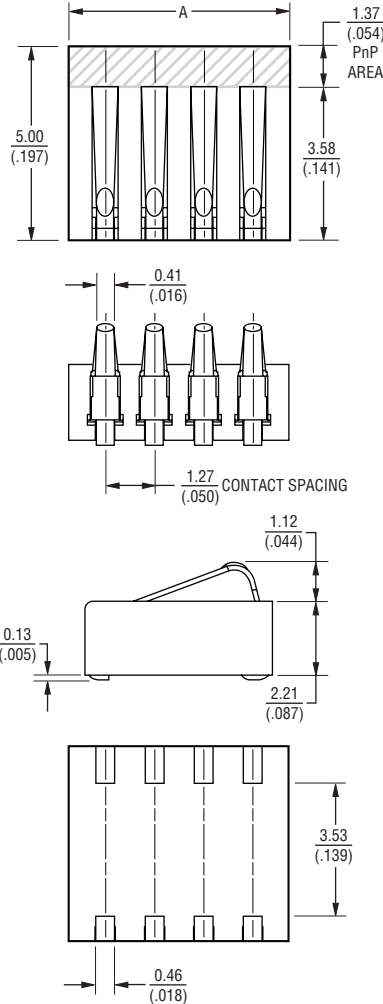
How to Order

70AB J - 4 - M 0 E

Model _____
 Terminal Style _____
 Number of Contacts (N) _____
 2, 3 or 4
 Gender _____
 M = Male
 Options _____
 0 = Standard
 Packaging Option _____
 E = Embossed Tape:
 • 2, 3 Contacts = 500 pcs. per reel - MSL-1
 • 4 Contacts = 1000 pcs. per reel - MSL-1

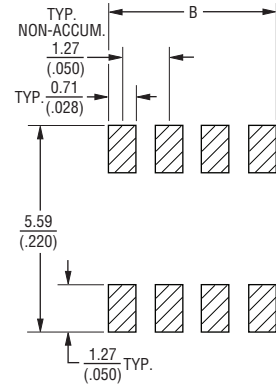
Product Dimensions

70ABJ



Number of Contacts	Dimension A
2	$\frac{3.12}{(.123)}$
3	$\frac{4.39}{(.173)}$
4	$\frac{5.66}{(.223)}$

Recommended PWB Layout



Number of Contacts	Dimension B
2	$\frac{1.98}{(.078)}$
3	$\frac{3.25}{(.128)}$
4	$\frac{4.52}{(.178)}$

TOLERANCES: $\frac{\pm 0.25}{(\pm .010)}$ UNLESS OTHERWISE NOTED
 DIMENSIONS: $\frac{\text{MM}}{(\text{INCHES})}$

* RoHS Directive 2002/95/EC Jan. 27, 2003 including annex and RoHS Recast 2011/65/EU June 8, 2011.

** Bourns considers a product to be "halogen free" if (a) the Bromine (Br) content is 900 ppm or less; (b) the Chlorine (Cl) content is 900 ppm or less; and (c) the total Bromine (Br) and Chlorine (Cl) content is 1500 ppm or less.

Specifications are subject to change without notice.

Users should verify actual device performance in their specific applications.

The products described herein and this document are subject to specific legal disclaimers as set forth on the last page of this document, and at www.bourns.com/docs/legal/disclaimer.pdf.

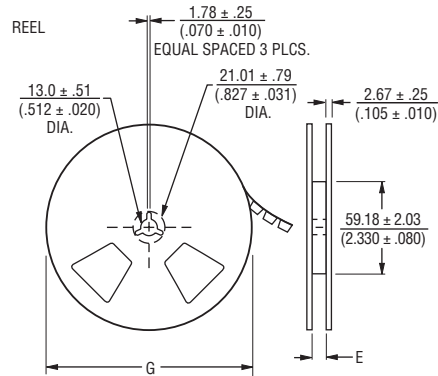
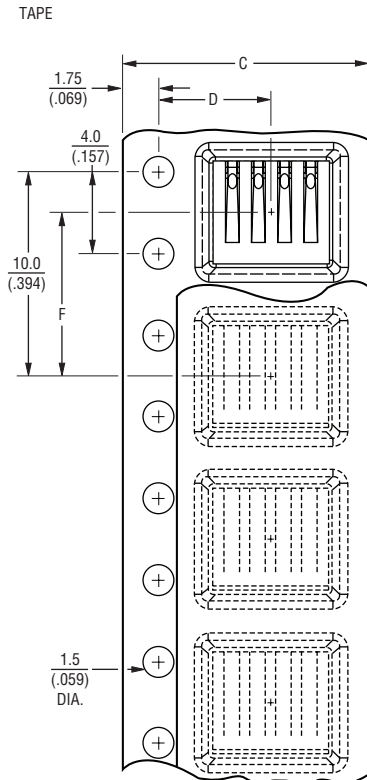
Applications

- Handheld communications - mobile phones, pagers, cordless phones, GPS, PICs, radios
- Portable consumer equipment - PDAs, HPCs, notebook PCs, cameras, dictaphones, PICs, games

70AB/Male - Modular Contact

BOURNS®

Packaging Specifications

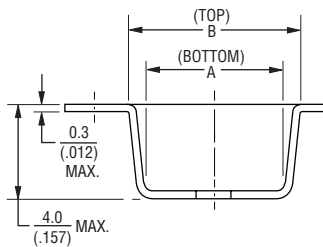


No. of Contacts	Dim. A	Dim. B	Dim. C	Dim. D	Dim. E	Dim. F	Dim. G
2	3.2 (.126)	4.94 (.194)	12.0 (.472)	5.5 (.217)	12.4 (.488)	8.0 (.315)	178 ± 2.0 (7.008 ± .079)
3	4.77 (.188)	6.22 (.245)	12.0 (.472)	5.5 (.217)	12.4 (.488)	8.0 (.315)	178 ± 2.0 (7.008 ± .079)
4	6.04 (.238)	7.50 (.295)	16.0 (.630)	7.5 (.295)	16.0 (.630)	12.0 (.472)	330.2 ± 2.0 (13.0 ± .079)

TOLERANCES: .XX = $\frac{\pm 0.5}{(\pm .020)}$ UNLESS OTHERWISE NOTED

.XXX = $\frac{\pm 0.127}{(\pm .005)}$ UNLESS OTHERWISE NOTED

DIMENSIONS: $\frac{\text{MM}}{\text{(INCHES)}}$



BOURNS®

Asia-Pacific: Tel: +886-2 2562-4117 • Email: asiacus@bourns.com

EMEA: Tel: +36 88 520 390 • Email: eurocus@bourns.com

The Americas: Tel: +1-951 781-5500 • Email: americus@bourns.com

www.bourns.com

REV. 11/17

Specifications are subject to change without notice.

Users should verify actual device performance in their specific applications.

The products described herein and this document are subject to specific legal disclaimers as set forth on the last page of this document, and at www.bourns.com/docs/legal/disclaimer.pdf.

This legal disclaimer applies to purchasers and users of Bourns® products manufactured by or on behalf of Bourns, Inc. and its affiliates (collectively, “Bourns”).

Unless otherwise expressly indicated in writing, Bourns® products and data sheets relating thereto are subject to change without notice. Users should check for and obtain the latest relevant information before placing orders and should verify that such information is current and complete.

The characteristics and parameters of a Bourns® product set forth in its data sheet are based on laboratory conditions, and statements regarding the suitability of products for certain types of applications are based on Bourns’ knowledge of typical requirements in generic applications. The characteristics and parameters of a Bourns® product in a user application may vary from the data sheet characteristics and parameters due to a combination of the Bourns® product with other components in the user’s application or due to the environment of the user application itself. Such characteristics and parameters also can and do vary in different applications and actual performance may vary over time. Users should always verify actual performance of the Bourns® product in their specific devices and applications, and make their own independent judgments about how much additional test margin to design in to compensate for differences between laboratory and real world conditions.

Unless Bourns has explicitly designated an individual Bourns® product as meeting the requirements of a particular industry standard (e.g., ISO/TS 16949) or a particular qualification (e.g., UL listed or recognized), Bourns is not responsible for any failure of an individual Bourns® product to meet requirements of such industry standard or such particular qualification. Users of Bourns® products are responsible for ensuring compliance with safety-related requirements and standards applicable to their applications.

Bourns® products are not recommended, authorized or intended for use in nuclear, lifesaving, life-critical or life-sustaining applications, nor in any other applications where failure or malfunction may result in personal injury, death, or severe property or environmental damage. Unless expressly and specifically approved in writing by two authorized Bourns representatives on a case-by-case basis, use of any Bourns® products in such unauthorized applications is at the user’s sole risk. Life-critical applications include devices identified by the U.S. Food and Drug Administration as Class III devices and generally equivalent classifications outside of the United States.

Bourns® standard products that are designed and tested for use in automotive applications will be described on the applicable data sheets as compliant with the applicable AEC-Q standard. Unless expressly and specifically approved in writing by two authorized Bourns representatives on a case-by-case basis, use of any other Bourns® standard products in an automotive application is not recommended, authorized or intended and will be at the user’s sole risk.

Bourns® standard products are not tested to comply with United States Federal Aviation Administration standards generally or any other generally equivalent governmental organization standard applicable to products designed or manufactured for use in aircraft or space applications. Bourns® standard products that are designed and tested for use in aircraft or space applications will be described on the applicable data sheets as compliant with the RTCA DO-160 standard. Unless expressly and specifically approved in writing by two authorized Bourns representatives on a case-by-case basis, use of any other Bourns® standard product in an aircraft or space application is not recommended, authorized or intended and will be at the user’s sole risk.

The use and level of testing applicable to Bourns® custom products shall be negotiated on a case-by-case basis by Bourns and the user for which such Bourns® custom products are specially designed. Absent a written agreement between Bourns and the user regarding the use and level of such testing, the provisions above applicable to Bourns® standard products shall also apply to such Bourns® custom products.

Users shall not sell, transfer, export or re-export any Bourns® products or technology for use in activities which involve the design, development, production, use or stockpiling of nuclear, chemical or biological weapons or missiles, nor shall they use Bourns® products or technology in any facility which engages in activities relating to such devices. The foregoing restrictions apply to all uses and applications that violate national or international prohibitions, including embargos or international regulations. Further, Bourns® products, technology or technical data may not under any circumstance be exported or re-exported to countries subject to international sanctions or embargoes, and Bourns® products may not, without prior authorization from Bourns and/or the U.S. Government, be resold, transferred, or re-exported to any party not eligible to receive U.S. commodities, software, and technical data.

To the maximum extent permitted by applicable law, Bourns disclaims (i) any and all liability arising out of the application or use of any Bourns® standard product, (ii) any and all liability, including, without limitation, special, punitive, consequential or incidental damages, and (iii) any and all implied warranties, including implied warranties of fitness for particular purpose, non-infringement and merchantability.

For your convenience, copies of this Legal Disclaimer Notice with German, Spanish, Japanese, Traditional Chinese and Simplified Chinese bilingual versions are available at:

Web Page: <http://www.bourns.com/legal/disclaimers-terms-and-policies>

PDF: <http://www.bourns.com/docs/Legal/disclaimer.pdf>