

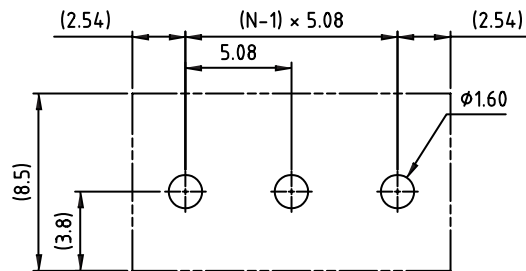
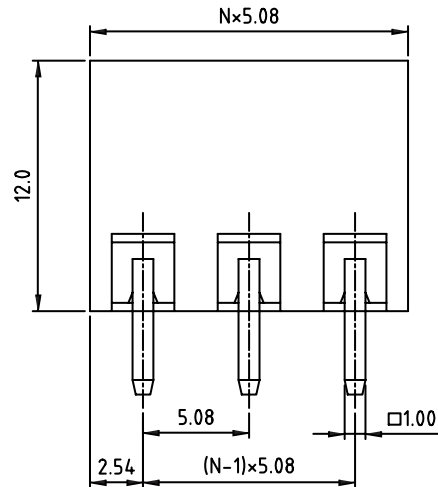
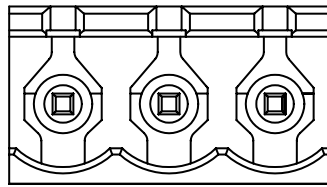
1

2

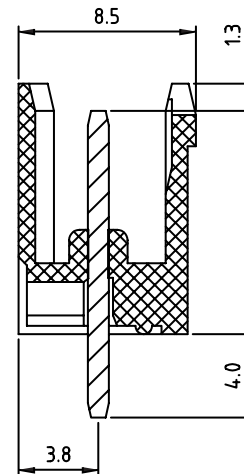
3

4

5



PCB LAYOUT - COMPONENT VIEW



## TECHNICAL CHARACTERISTICS

MATERIAL  
 INSULATOR: PBT  
 FLAMABILITY RATING: UL94-V0  
 COLOR: GREEN  
 CONTACT PIN: BRASS (CuZn)  
 SOLDER TAIL PLATING: TIN

ENVIRONMENTAL  
 OPERATING TEMPERATURE: -40 UP TO 105°C  
 COMPLIANCE: LEAD FREE AND ROHS

ELECTRICAL	cULus	VDE
CURRENT RATING:	20A	20A
WORKING VOLTAGE:	300VAC	300VAC
WITHSTANDING VOLTAGE:	1.6KV	2.5KV
CONTACT RESISTANCE:	20 mOhm MAX	

## STANDARD

CERTIFIED E315414 / MODEL NUMBER 311  
 CERTIFIED 40023195 / MODEL NUMBER 311

MECHANICAL  
 PITCH: 5.08MM

SOLDERING: WAVE PROCESS ONLY

PACKAGING: BOX

SERIE 311

RoHS Compliant

G				PROJECTION: 	GENERAL TOLERANCE .X = +/- 0.2 .XX = +/- 0.15	 WÜRTH ELEKTRONIK	
F							
E							
D	13-OCT-09	STANDARD	JP				
C	29-OCT-08	CHARACTERISTICS	JP	APPROVAL: RJ	UNIT: MM	DESCRIPTION: SERIE 311 - 5.08MM OPEN VERTICAL PCB HEADER WR-TBL	
B	21-MAR-08	SERIE	CH		SCALE:		
A	31-OCT-07	PDF	EC		SHEET: 1/1		WERI PART NO: 691 311 500 0xx
REV	DATE	FILE	BY		DRAW: MARVIN		

SIZE

A4