

TOLERANCE UNLESS OTHERWISE SPECIFIED IN MM:
 0.0 ± 0.20 ANGLE x°
 0.00 ± 0.10
 0.000 ± 0.05

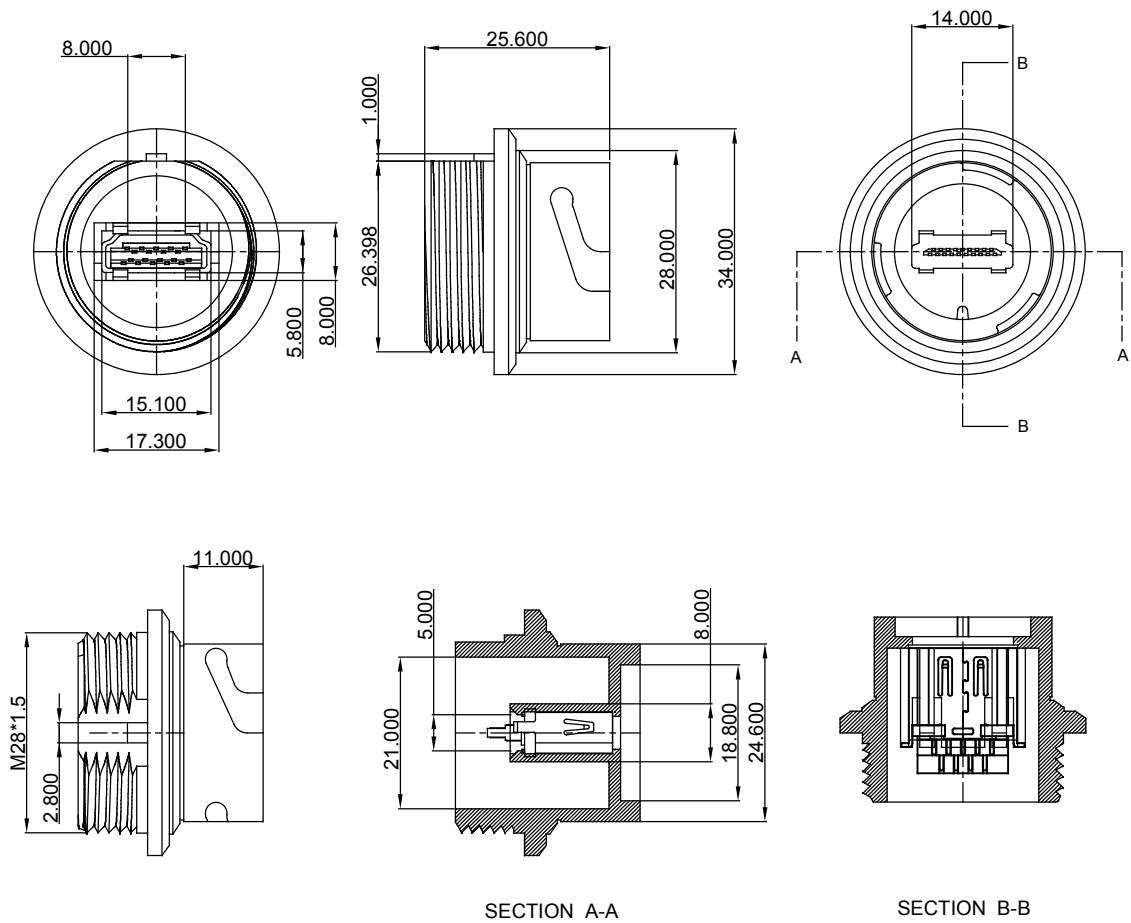
THIS IS A C.A.D. GENERATED DRAWING
 DO NOT MAKE MANUAL REVISIONS TO MASTER.



ISSUE NUMBER	
ORIGINAL	①
REMOVE HEX NUT R.STA.MONICA	JUNE.18/2014 ②
ADD OPERATING TEMP R.STA.MONICA	MAY.12/2017 ③
ADD O-RING Y.ZHANG	AUG.04/2017 ④
UPDATE NOTES Y.ZHANG	JAN.11/2018 ⑤
UPDATE THREAD PITCH Y.ZHANG	MAR.01/2018 ⑥



1. MATERIAL :
- 1-1. EXTERNAL HOUSING : PBT UL94V-0 ; COLOR : BLACK
 - 1-2. HOUSING: LCP UL94V-0 ; COLOR : BLACK
 - 1-3. CONTACT: PHOSPHOR BRONZE
 - 1-4. SHELL: BRASS
2. FINISH :
- 2-1. CONTACT : 15 MICRO INCHES MIN. GOLD PLATED
SOLDER TAILS: BRIGHT TIN 100u"
 - 2-3. SHELL: GOLD FLASH
3. WATER PROOF: IPX7
4. OPERATING TEMP.: -25C TO +85C
5. CABLE MOUNT: WITHOUT HEX NUT & O-RING
 PANEL MOUNT: USE HEX NUT M00-876-001& O-RING M00-943-001



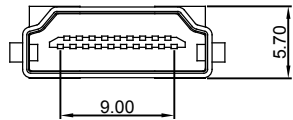
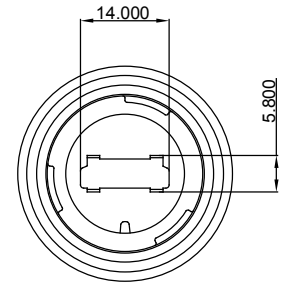
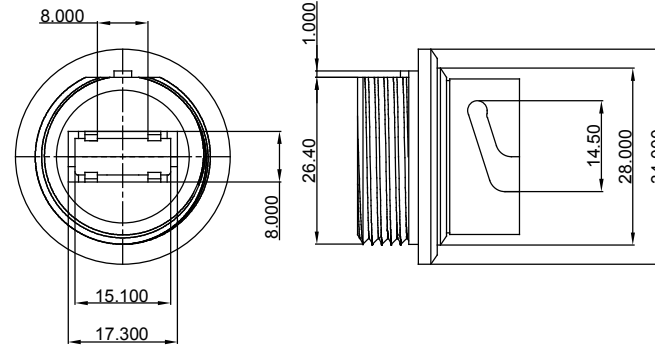
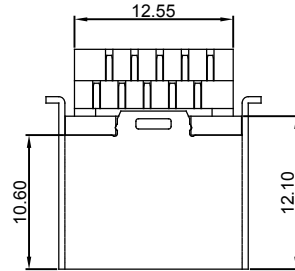
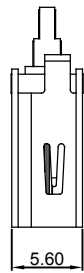
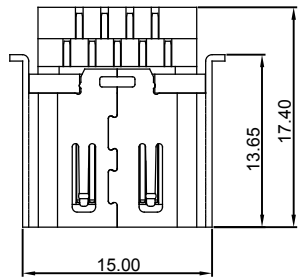
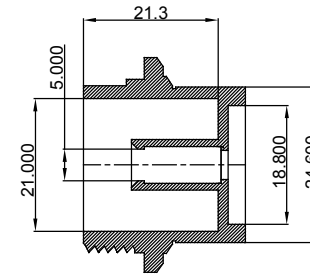
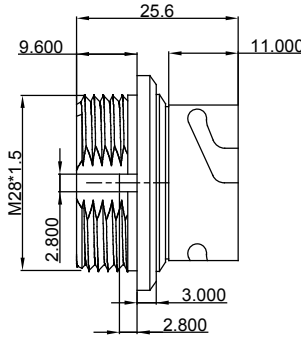
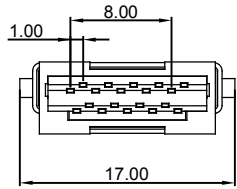
**WATERPROOF HDMI BLACK TYPE A, 180°
(FEMALE)**

EDAC INC
TORONTO, ONTARIO
CANADA
YOUR CONNECTION TO QUALITY & SERVICE

THESE DRAWINGS AND SPECIFICATIONS ARE THE PROPERTY OF EDAC INC., AND SHALL NOT BE REPRODUCED, OR COPIED OR USED AS THE BASIS FOR THE MANUFACTURE OR SALE OF APPARATUS WITHOUT WRITTEN PERMISSION.

ACAD REFERENCE NO.: 690-W19-260-012	
DRAWN: R.STA.MONICA	DATE: JAN.09/2014
CHECKED:	DATE:
PART NUMBER 690-W19-260-012	
SHEET 1 OF 2	
DRAWING NUMBER 690-W19-260-012	ISSUE 6

THIS SERIES FULLY CONFORMS TO THE EUROPEAN UNION DIRECTIVES 2011/65/EU FOR RoHS COMPLIANCY.



SCALE: 2:1

**WATERPROOF HDMI BLACK TYPE A, 180°
(FEMALE)**

ACAD REFERENCE NO.: 690-W19-260-012

DRAWN: R.STA.MONICA

DATE: JAN.09/2014

CHECKED:

DATE:

PART NUMBER

690-W19-260-012

SHEET 2 OF 2

DRAWING NUMBER

690-W19-260-012

ISSUE

6



THIS SERIES FULLY CONFORMS TO THE
EUROPEAN UNION DIRECTIVES
2011/65/EU FOR RoHS COMPLIANCY.



EDAC INC
TORONTO, ONTARIO
CANADA
YOUR CONNECTION TO QUALITY & SERVICE

THESE DRAWINGS AND SPECIFICATIONS
ARE THE PROPERTY OF EDAC INC., AND
SHALL NOT BE REPRODUCED, OR COPIED
OR USED AS THE BASIS FOR THE
MANUFACTURE OR SALE OF APPARATUS
WITHOUT WRITTEN PERMISSION.