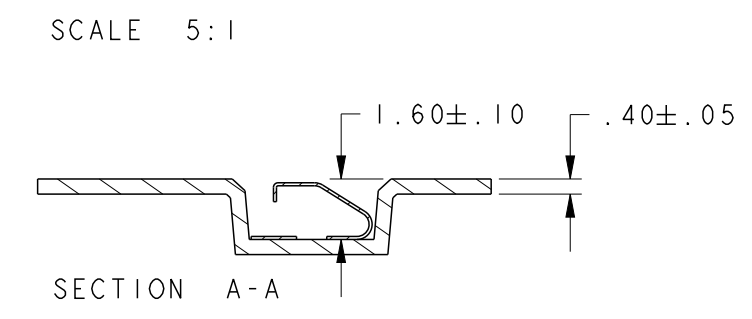
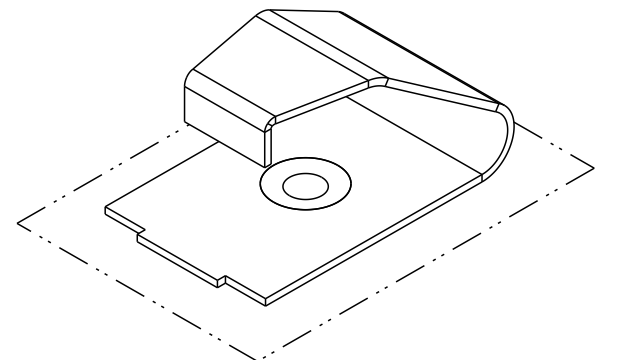
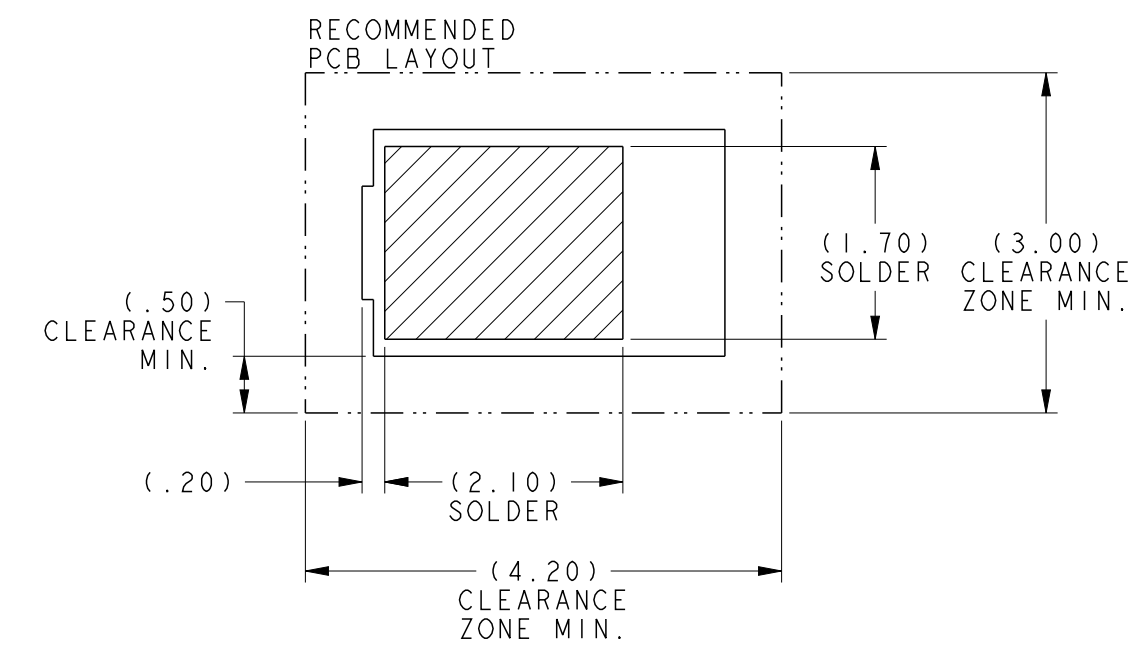
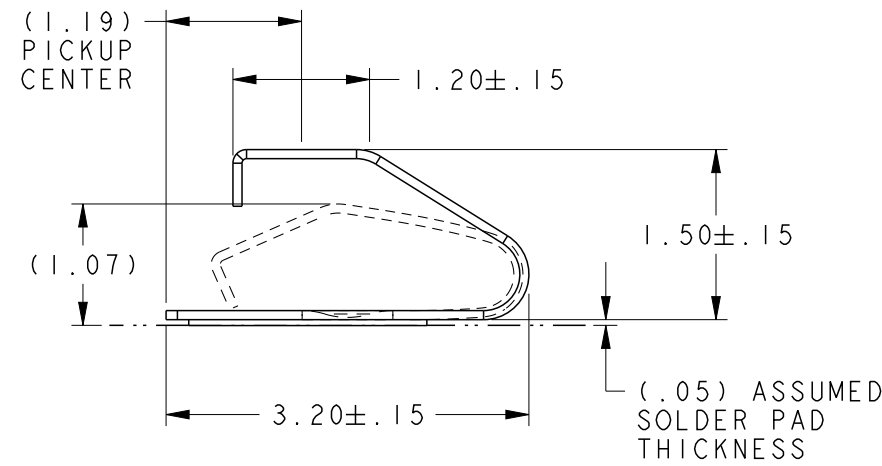
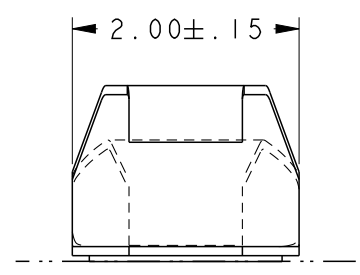
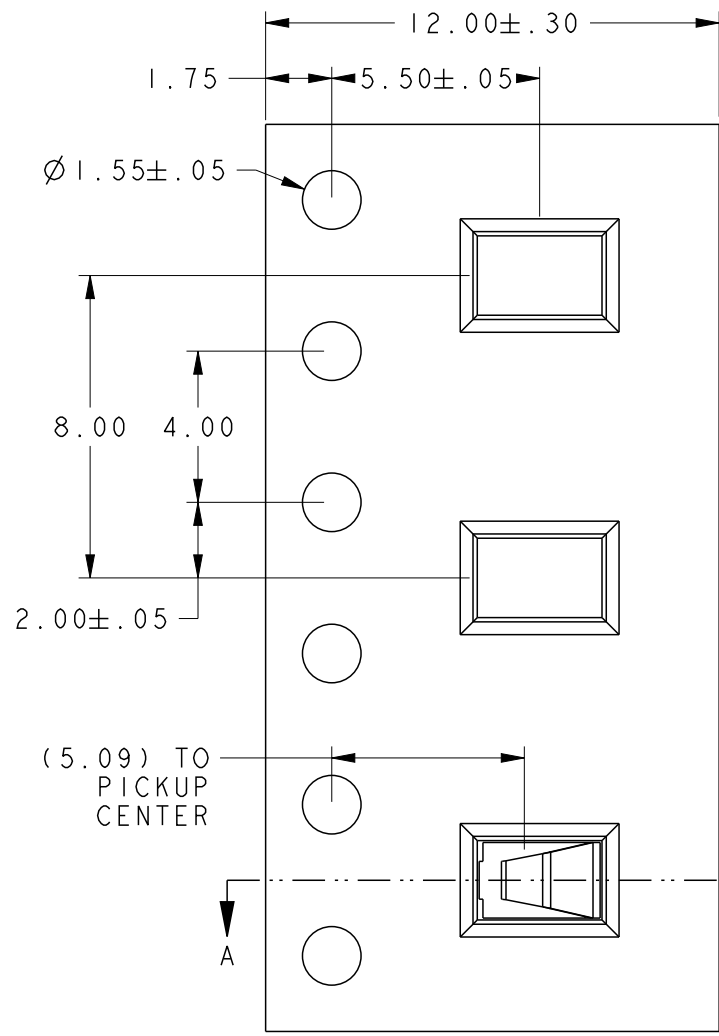


REVISION CHANGES				
REV	DESCRIPTION	DATE	BY	APPROVED
A	INITIAL DRAWING RELEASE	2013-09-18	JIM KLINE	GL CHANG



SCALE 5:1

**PACKAGING NOTES:**

1. 10 SPROCKET HOLE PITCH CUMULATIVE TOLERANCE  $\pm .20$
2. CARRIER CAMBER IS WITHIN 1 MM IN 250 MM.
3. MATERIAL: TRANSPARENT POLYSTYRENE ALLOY
4. ALL DIMENSIONS MEET EIA-481-B REQUIREMENTS.
5. PACKING LENGTH PER 22 INCH REEL: 98.5 METERS
6. COMPONENT LOAD PER 13 INCH REEL: 4000 PIECES

STATE (SOLDERED AS SHOWN)	HEIGHT mm	FORCE grams	RESISTANCE $m\Omega$	PEAK STRESS MPa	ESTIMATED CYCLE LIFE
UNCOMPRESSED	(1.55)	(0)	-	(0)	-
COMPRESSED 10%	(1.40)	(51)	(9)	(360)	INFINITE
COMPRESSED 20%	(1.25)	(99)	(7)	(712)	(~500K)
COMPRESSED 30%	(1.10)	(145)	(6)	(1063)	(~50K)

**GENERAL NOTES:**

1. BURRS SHALL NOT EXCEED 10% OF MATERIAL THICKNESS OR 0.15mm WHICHEVER IS LESS.
2. PART SHALL BE FREE OF OIL OR GREASE.
3. REFERENCE DIMENSIONS ARE SHOWN IN PARENTHESES (DIM).

\* CAD MAINTAINED DRAWING \*  
 MANUAL CHANGES UNAUTHORIZED.  
 PRINTED COPIES OF THIS DOCUMENT  
 ARE CONSIDERED UNCONTROLLED

THIS DRAWING IS GENERATED  
 FROM A 3D SOLID MODEL AND  
 MUST BE ACCOMPANIED BY THE  
 MODEL FOR COMPLETE  
 DOCUMENTATION

BLOCK TOLERANCES APPLY TO  
 METRIC UNITS ONLY. DUAL  
 DIMENSIONS IF SHOWN ARE FOR  
 REFERENCE ONLY AND ARE  
 DISPLAYED IN 3 PLACES FOR  
 CONVERSION PURPOSES ONLY.

PRODUCTION DRAWING  
 REVISION CONTROLLED  
 DOCUMENT

UNITS: mm

TOLERANCES:

.X =  $\pm .4$   
 .XX =  $\pm .20$   
 .XXX =  $\pm .10$

ANGULAR:

X.<sup>o</sup> =  $\pm 3^{\circ}$   
 X.X<sup>o</sup> =  $\pm 1.0^{\circ}$

**Laird**  
 TECHNOLOGIES

3RD ANGLE  
 PROJECTION

DESIGNED IN PRO/ENGINEER

SCALE: 15:1 SHEET 1 OF 1

SIZE: B

MATERIAL / TEMPER:  
 COPPER BERYLLIUM (UNS C17200)  
 ALLOY 25 1/2 HARD TEMPER (TD02)  
 HEAT TREATED TO DPH 373 MIN (TH02)

THICKNESS: .080  $\pm$  .004

FINISH:  
 .000025 Au OVER .00127 - .00305 Ni

PART DESCRIPTION:  
 SMD CONTACT

CUSTOMER:

PROGRAM NAME:

CUSTOMER PART NUMBER:

PART NUMBER:  
 67BCG2003201508R00

DRAWN BY: JIM KLINE DATE: 2012-12-12

APPROVED BY: GL CHANG DATE: 2013-09-18

REV: A

INFORMATION CONTAINED IN THIS DOCUMENT IS CONFIDENTIAL AND PROPRIETARY TO LAIRD TECHNOLOGIES.  
 IT MAY NOT BE DISCLOSED TO ANYONE WITHOUT WRITTEN AUTHORIZATION FROM LAIRD TECHNOLOGIES.