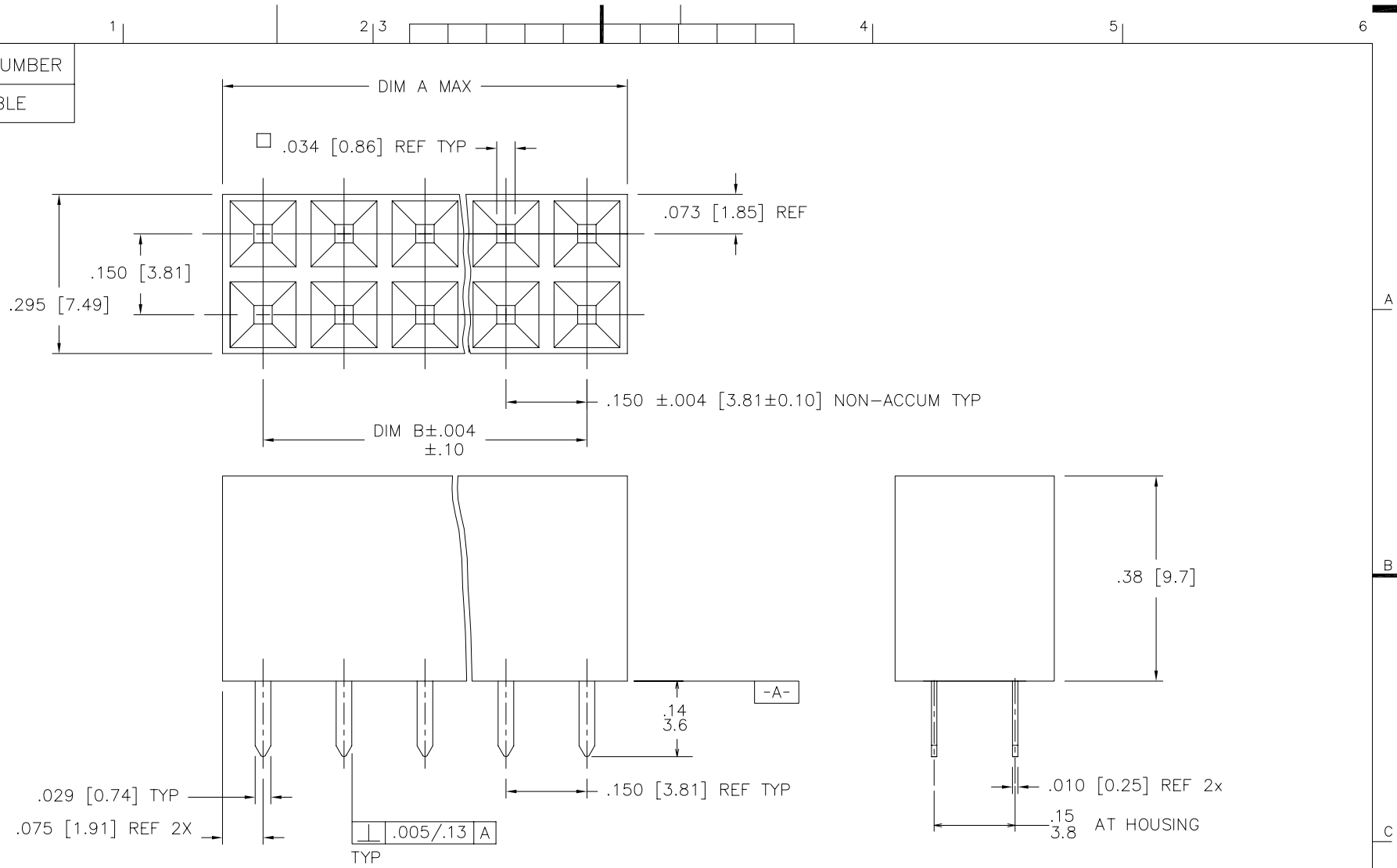




FCIconnect.com

Copyright FCI

PRODUCT NUMBER
SEE TABLE



mat'l. code		surface		tolerance		projection		product family	
NOTES 1 & 2		ISO 1302 ✓		ISO 406		ISO 1101		CARD CONN	
ltr	ecm no	dr	date	tolerances unless otherwise specified		INCH/MM		title	
E	REDRAW	JGS	2/19/00	angles	linear	.XX±.01/.X±.3		VERT. CARD CONNECTOR ASS'Y	
F	REDRAW	JGS	5/2/91			.XXX±.0.005/.XX±.13		.150/3.81 CTR. D.R 30μ"/.76μ Au	
G	V70789	MDF	8/12/97	0'±2'		.XXXX±.0020/.XXXX±.051		dwg no	
H	M05-0216	ERE	10/11/05	dr	J.MUSTARD	1/2/91		sheet 1 of 2 size	
J	M06-0210	MHT	6/03/06	enfr	M.HAHN	1/2/91		66955	
K	M07-0143	ERE	03/03/07	chr	M.HAHN	1/2/91		A3	
				appd	M.HAHN	1/2/91		type Product Customer Drawing	
sheet index	revision	K	K						
	sheet	1	2						

form: A3

PRODUCT NO.	NO. OF POS.	DIM A	DIM B	LEAD FREE OPTION
66955-001		UNASSIGNED		
-002		DISCONTINUED		
-003		DISCONTINUED		
-004		DISCONTINUED		
-005	2X5	.750/19.05	.600/15.24	NOTE 5,6
-006	2X6	.900/22.86	.750/19.05	
-007	2X7	1.050/26.67	.900/22.86	
-008	2X8	1.200/30.48	1.050/26.67	
-009	2X9	1.350/34.29	1.200/30.48	
-010	2X10	1.500/38.10	1.350/34.29	
-011	2X11	1.650/41.91	1.500/38.10	
66955-012	2X12	1.800/45.72	1.650/41.91	

NOTES:

- ① HOUSING MATERIAL: FILLED NYLON
COLOR: BLACK.
- ② TERMINAL MATERIAL:
BODY: BRASS
SPRING: BeCu, HEAT TREATED
BODY PLATING: 30u"/.76u Au OVER 50u"/1.27 Ni IN CONTACT AREA.
100u"/2.54u Sn (NOTE 8) ON SOLDER TAIL
SPRING PLATING: GOLD FLASH
3. MARK FCJ PART NUMBER AND DATE CODE LEGIBLE ON TUBE LABEL
4. APPLICATION INFORMATION.
A. RECOMMENDED MOUNTING HOLE PATTERN IS SHOWN IN FIG. #1.
B. ALL MATING PINS TO BE .025/.64 SQUARE ON TRUE CENTER OF GIVEN TERMINAL SPACINGS, WITHIN .015/.38 DIAMETER.
C. SUGGESTED MATING PIN LENGTH, .210 ±.020/5.33 ±.51.
- ⑤ ADD "LF" SUFFIX AT THE END OF PART NUMBER FOR LEAD FREE OPTION.
- ⑥ THESE PRODUCTS MEET EUROPEAN UNION DIRECTIVES AND OTHER COUNTRY REGULATIONS AS DESCRIBED IN GS-22-008.
7. THIS PART WILL WITHSTAND EXPOSURE TO 260°C PEAK TEMPERATURE FOR 20 SECONDS IN WAVE SOLDER, INFRA-RED OR VAPOR PHASE SOLDER PROCESS.
- ⑧ "THIS PRODUCT HAS 100% TIN PLATING IN THE INTERFACE AND HAS NOT BEEN TESTED FOR WHISKER GROWTH IN ALL INTERCONNECT ENVIRONMENTS."

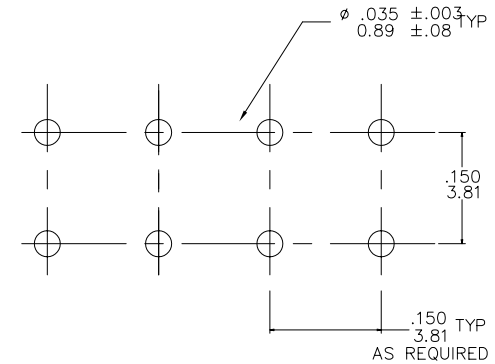


FIG. 1
SCALE 5/1

mat'l. code		surface ISO 1302 ✓		tolerance ISO 406 ISO 1101		projection ⊕		product family CARD CONN	
ltr	ecn	no	dr	date	tolerances unless otherwise specified		title		VERT. CARD CONNECTOR ASS'Y .150/3.81 CTR. D.R 30μ"/.76μ Au
K					angles	linear	INCH/MM		
					0'±2'		scale 4:1		dwg no
					dr	J.MUSTARD	1/2/91	sheet 2 of 2 size	
					enr	M.HAHN	1/2/91	66955	
					chr	M.HAHN	1/2/91	A3	
					appd	M.HAHN	1/2/91	type Product Customer Drawing	
sheet index	revision sheet								



FCJconnect.com

Copyright FCJ