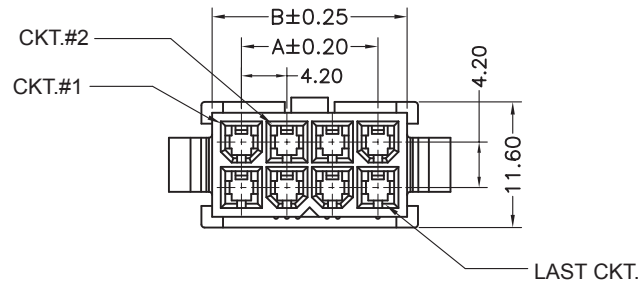
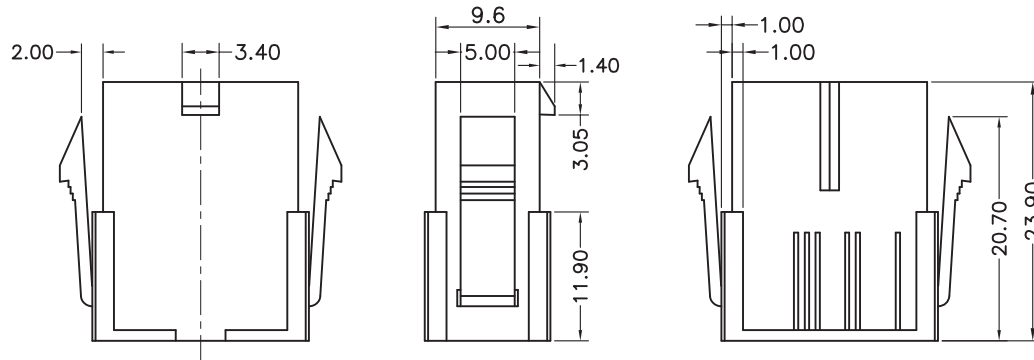


Recommended Panel Cut-out Thickness = 1,40 ±0,40



TECHNICAL CHARACTERISTICS

MATERIAL  
 INSULATOR: NYLON 66  
 FLAMMABILITY RATING: UL94-V0  
 COLOR: WHITE  
 PITCH: 4.20 MM

ENVIRONMENTAL  
 OPERATING TEMPERATURE: -40 UP TO 105°C  
 COMPLIANCE: LEAD FREE AND ROHS

ELECTRICAL  
 INSULATOR RESISTANCE: >1000 MOHM  
 DIELECTRIC WITHSTANDING VOLTAGE: 1500 VAC/MN

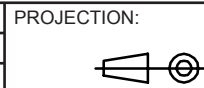
STANDARD  
 CERTIFIED: E323964

SOLDERING  
 JEDEC LEAD FREE WAVE SOLDERING PROCESS

PACKAGING  
 BAG

DIMENSION  
 A = 4.20 x (NB PIN / 2 - 1)  
 B = 4.20 x (NB PIN / 2) + 1.30  
 C = 4.20 x (NB PIN / 2) + 6.60

|                |           |            |    |
|----------------|-----------|------------|----|
| RoHS Compliant |           |            |    |
|                |           |            |    |
|                |           |            |    |
|                |           |            |    |
| J              |           |            |    |
| I              | 12-APR-17 | TPK        | AK |
| H              | 16-JAN-17 | ELECTRICAL | AK |
| REV            | DATE      | FILE       | BY |



GENERAL TOLERANCE  
 .X = +/- 0.2  
 .XX = +/- 0.15



APPROVAL: BBu

|            |
|------------|
| UNIT: MM   |
| SCALE:     |
| SHEET: 1/3 |
| DRAW: AS   |

|  |
|--|
| DESCRIPTION: WR-MPC4 - 4.20MM MALE DUAL ROW PLUG WITH PANEL MOUNT EARS |
| WERI PART NO: 649 0xx 218 22   |

SIZE  
**A4**

1

2

3

4

5

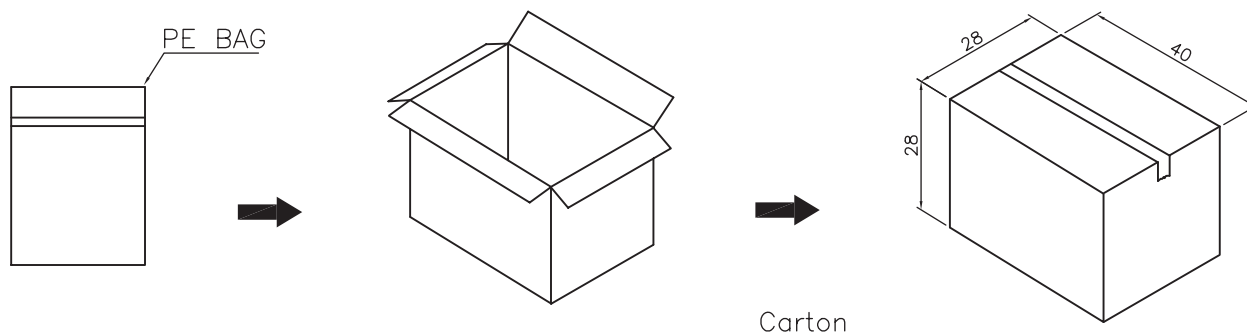
Note:


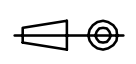
1.Dimension:

Carton Size:40\*28\*28(cm)

2.Quantity:

| Pin. | Pcs/Bag | Pcs/Carton | Pin. | Pcs/Bag | Pcs/Carton |
|------|---------|------------|------|---------|------------|
| 2    | 200     | 5600       | 14   | 100     | 1600       |
| 4    | 200     | 4600       | 16   | 100     | 1200       |
| 6    | 100     | 3000       | 18   | 100     | 1000       |
| 8    | 100     | 2400       | 20   | 100     | 1000       |
| 10   | 100     | 2000       | 22   | 50      | 800        |
| 12   | 100     | 1800       | 24   | 50      | 800        |



| RoHS Compliant |      |      |    | PROJECTION:   | GENERAL TOLERANCE |  | DESCRIPTION: WR-MPC4 - 4.20MM MALE DUAL ROW PLUG WITH<br>PANEL MOUNT EARS | SIZE<br><b>A4</b> |
|----------------|------|------|----|---|-------------------|---|---|-------------------|
| G              |      |      |    |  | .X = +/- 0.2      |   |   |                   |
| F              |      |      |    |   |                   |   |   |                   |
| E              |      |      |    | APPROVAL: BBu   |                   |   |   |                   |
| D              |      |      |    |   |                   |   |   |                   |
| C              |      |      |    |   |                   |   |   |                   |
| B              |      |      |    |   |                   |   |   |                   |
| A              |      |      |    |   |                   |   |   |                   |
| REV            | DATE | FILE | BY |   |                   |   |   |                   |

1

2

3

4

5

## Cautions and Warnings:

This electronic component is designed and developed with the intention for use in general electronics equipments.

Before incorporating the components into any equipments in the field such as aerospace, aviation, nuclear control, submarine, transportation, (automotive control, train control, ship control), transportation signal, disaster prevention, medical, public information network etc. where higher safety and reliability are especially required or if there is possibility of direct damage or injury to human body, Würth Elektronik must be asked for a written approval.

In addition, even electronic component in general electronic equipments, when used in electrical circuits that require high safety, reliability functions or performance, the sufficient reliability evaluation-check for the safety must be performed before by the user before usage.

A

B

C

RoHS Compliant

|     |           |      |    |  |   |   |                   |
|-----|-----------|------|----|--|---|---|-------------------|
| G   |           |      |    | PROJECTION:<br> | GENERAL TOLERANCE<br>.X = +/- 0.2<br>.XX = +/- 0.15 |  |                   |
| F   |           |      |    |  |   |   |                   |
| E   |           |      |    |  |   |   |                   |
| D   |           |      |    |  |   |   |                   |
| C   |           |      |    | APPROVAL: JC   | UNIT: MM  | DESCRIPTION: DISCLAIMER   | SIZE<br><b>A4</b> |
| B   |           |      |    |  | SCALE:  |   |                   |
| A   | 10-SEP-14 | PDF  | QL |  | SHEET: 3/3  | WERI PART NO: DISCLAIMER  |                   |
| REV | DATE      | FILE | BY |  | DRAW: QL  |   |                   |

D