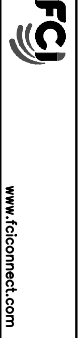


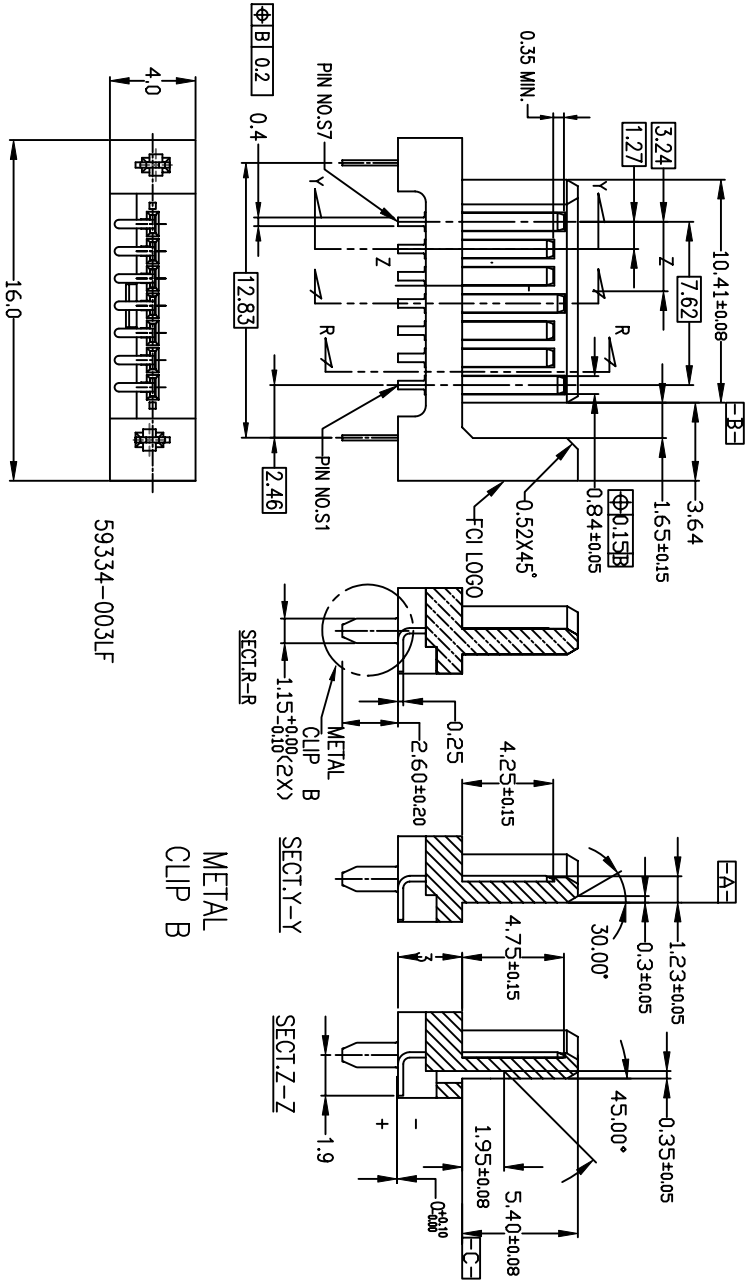
mot'l. code	ecn no	dr	dtte	lineor	tolerances unless otherwise specified	CUSTOMER COPY	projection	title
C	T06-0078	S.Lin	5/12/06	.XXX ± 0.20	.X ± 0.30			S-ATA SIGNAL PLUG
D	T06-0139	S.Lin	07/31/06	.XXX ± 0.10	0° ± 2°			SMT VERTICAL TYPE ASS'Y
E	T07-1010	S.Lin	4/11/07	JPEEH	JPEEH			
F	T07-1010	S.Lin	6/07/07	JPEEH	JPEEH			
G	T07-1101	S.Lin		JPEEH	JPEEH			
chr	GL Lo			11/16/04	11/16/04			
index	JOEY NG							
sheet	revision	G	G	G	G			
index	sheet	1	2	3				

CONFIDENTIAL



ACAD

cage code



59334-003LF

METAL CLIP B

CONFIDENTIAL

FCI
www.fciconnect.com

S-ATA SIGNAL PLUG
SMT VERTICAL TYPE ASS'Y

mot'l. code	ecn no	dr	dtte	linear	angles	chr	GL	Lo	scale	product family	code
C	T06-0078	S.Lin	5/12/06'	.XX \pm 0.20	0° \pm 2°	JPE	EH	4/15/03	MM	SATA	TWN
D	T06-0139	S.Lin	07/31/06'	.XXX \pm 0.10		JPE	EH	4/15/03	MM	SATA	TWN
E	T07-1010	S.Lin	4/11/07			JPE	EH	4/15/03	MM	SATA	TWN
F	T07-1010	S.Lin	6/7/07			JPE	EH	4/15/03	MM	SATA	TWN
G	T07-1101	S.Lin				JPE	EH	4/15/03	MM	SATA	TWN
sheet index	revision	sheet	sheet	sheet	sheet	sheet	sheet	sheet	sheet	sheet	sheet
1	G	1	G	G	G	G	G	G	G	G	G
2	G	2	G	G	G	G	G	G	G	G	G
3	G	3	G	G	G	G	G	G	G	G	G
4	G	4	G	G	G	G	G	G	G	G	G

ACAD

cage code



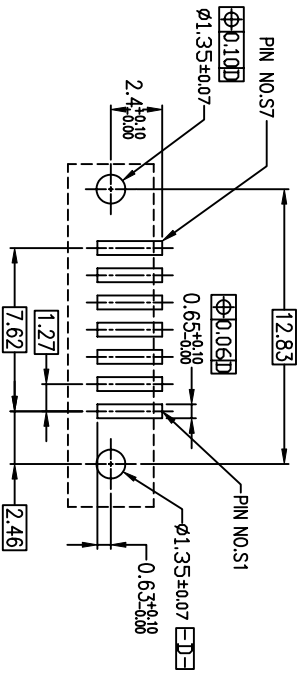
- NOTE
1. THIS PRODUCT MEETS THE SATA SPEC REV.1.0a
 2. MATERIAL
 - i) HOUSING : HIGH TEMPERATURE THERMOPLASTIC UL94V-0
 - ii) TERMINAL : COPPER ALLOY
 - iii) HOLD DOWN : COPPER ALLOY

3. P/N : 59334-XXXXLF
 - i) TERMINAL : Au PLATING AT CONTACT POINT WITH NICKEL UNDERPLATE
 - ii) HOLD DOWN : MATT Sn PLATING
4. THE HOUSING WILL WITHSTAND EXPOSURE TO 260 C PEAK TEMPERATURE FOR 10 SECONDS IN A CONNECTION, INFRA-RED OR VAPOR PHASE REFLOW OVEN.
5. FOR P/N NO: 59334-XXXXLF, THIS PRODUCT MEETS EUROPEAN UNION DIRECTIVES AND OTHER COUNTRY REGULATIONS AS DESCRIBED IN GS-22-008.
6. PRODUCT NUMBERING:
 - 59334 - X X X L F - LEAD FREE

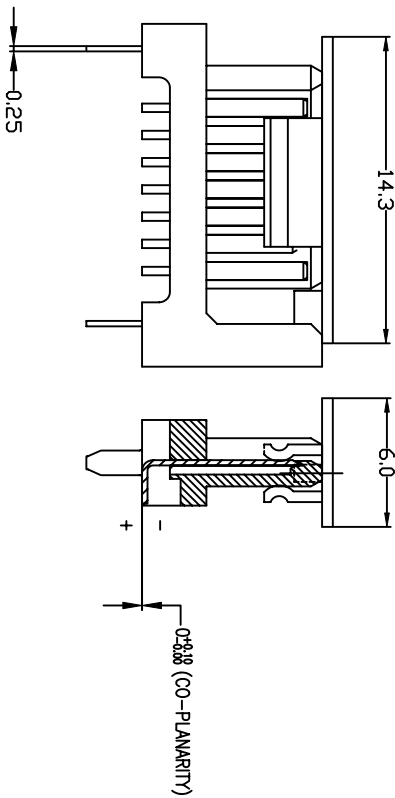
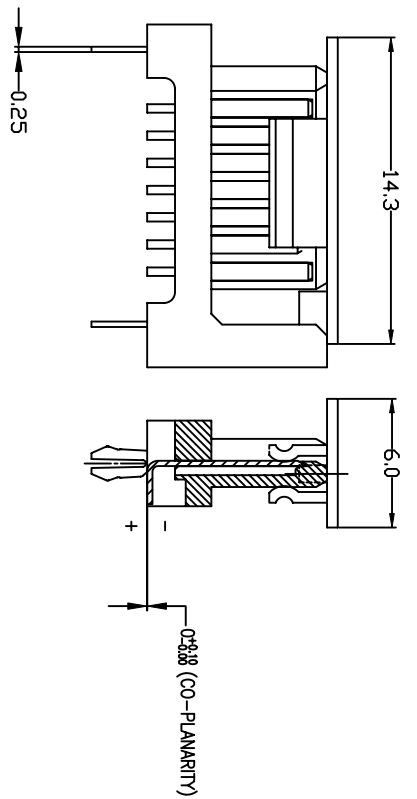
HOUSING COLOR:
BLANK : BLACK

PACKING:
0: TUBE
1: TRAY WITH CAP
2: TAPE & REEL WITH CAP

PLATING AT CONTACT AREA
0: 15 U" GOLD
1: 5U" GOLD



RECOMMENDED MOUNTING LAYOUT
RECOMMENDED PCB T = 1.60mm
TOLERANCE UNLESS OTHERWISE : ±0.1



mot'l. code	ecn no	dr	dtte	linear	tolerances unless otherwise specified	CUSTOMER COPY	projection	title	product family	code
A	S03-0057	JPEH	04/15/03		.XX ± 0.20			S-ATA SIGNAL PLUG	SATA	TWN
B	S04-0170	JPEH	08/04/04		.XXX ± 0.10			SMT VERTICAL TYPE ASS'Y		sheet
C	S04-0244	GLL	11/16/04	angles	0° ± 2°					1 of
D	T06-0078	S.Lin	5/12/06	dr	JPEH					
E	T06-0139	S.Lin	7/31/06	enfr	JPEH					
F	T07-1010	S.Lin	4/11/07	chr	GL LOO					
G	T07-1101	S.Lin	6/07/07	qppd	JDEY NG					
sheet index	revision	G	G	G	G					
1	2	3								

CONFIDENTIAL



www.fciconnect.com